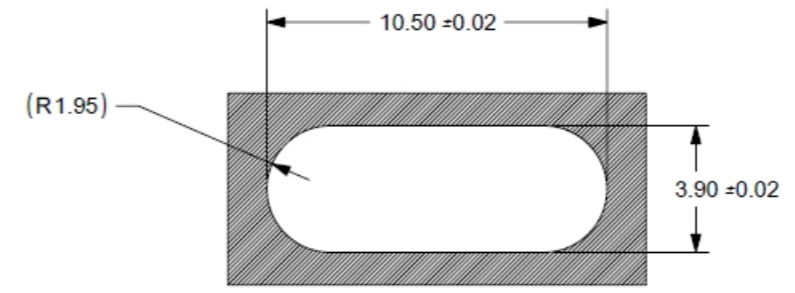
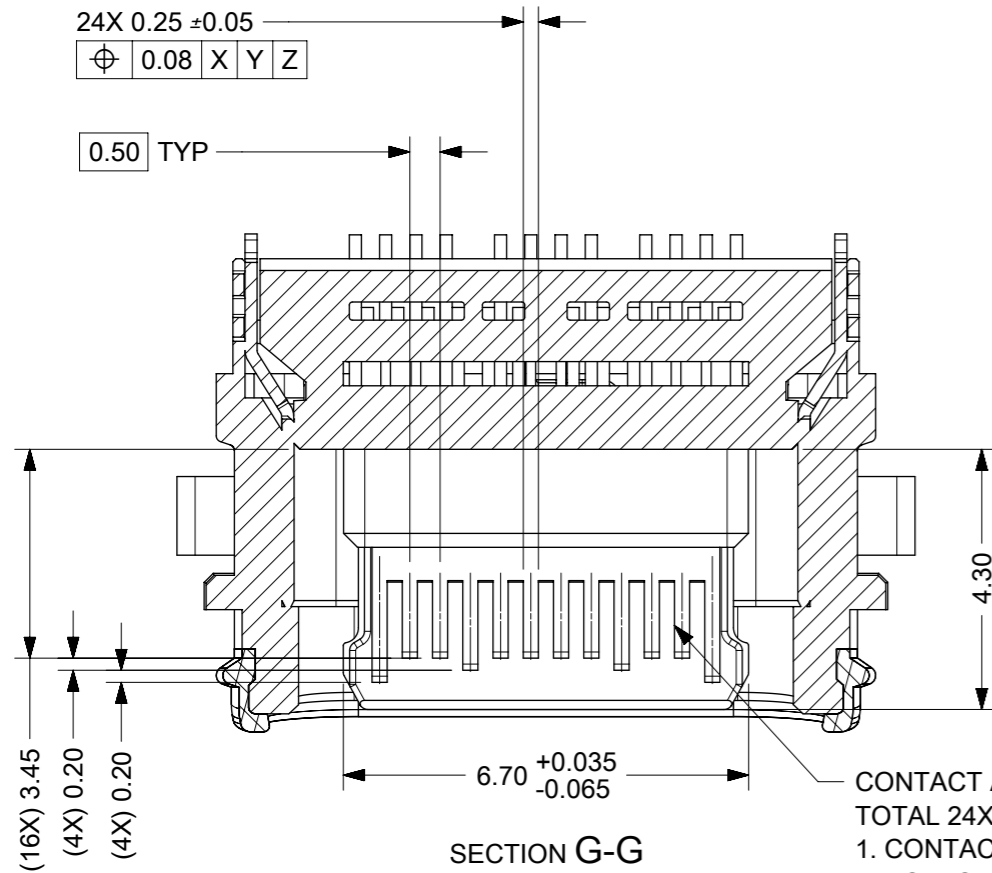


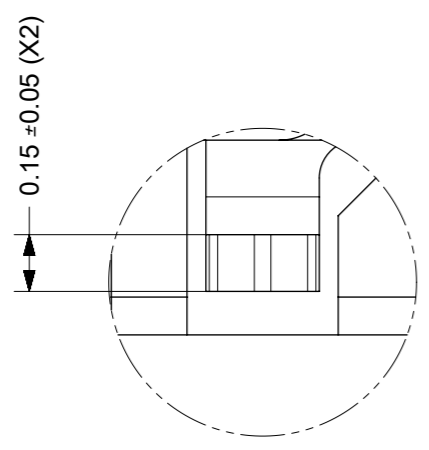
SYMBOLS		THIS DRAWING CONTAINS INFORMATION THAT IS PROPRIETARY TO MOLEX ELECTRONIC TECHNOLOGIES, LLC AND SHOULD NOT BE USED WITHOUT WRITTEN PERMISSION	
DIMENSION UNITS	SCALE	CURRENT REV DESC:	
$\nabla = 0$	mm	10:1	
$\nabla = 0$	GENERAL TOLERANCES (UNLESS SPECIFIED)		
$\nabla = 0$	ANGULAR TOL $\pm 3.0^\circ$		
$\nabla = 0$	4 PLACES	$\pm$	
$\nabla = 0$	3 PLACES	$\pm$	
$\nabla = 0$	2 PLACES	$\pm 0.2$	
$\nabla = 0$	1 PLACE	$\pm 0.2$	
$\nabla = 0$	0 PLACES	$\pm$	
$\blacksquare = 0$	DRAFT WHERE APPLICABLE MUST REMAIN WITHIN DIMENSIONS		
$\nabla = 0$	THIRD ANGLE PROJECTION	DRAWING	SERIES
		A3-SIZE	202410
		MATERIAL NUMBER	CUSTOMER
		2024100002	
		DOCUMENT NUMBER	DOC TYPE DOC PART REVISION
		2024100001	PSD 000 F1
		SHEET NUMBER	
		1 OF 5	



- NOTES:
1. MATERIAL AND PLATING SEE TABLE
  2. PRODUCT SPEC REFER TO 2024100002
  3. PACKAGE SPEC REFER TO 2024100007
  4. SOLDER TAIL POSITION BE CONTROLLED BY GAUGE
  5. PRODUCT COMPLANT TO ROHS DIERTIVE 2011/65/EU AND ELV DIRECTIVE 2000/53/EC

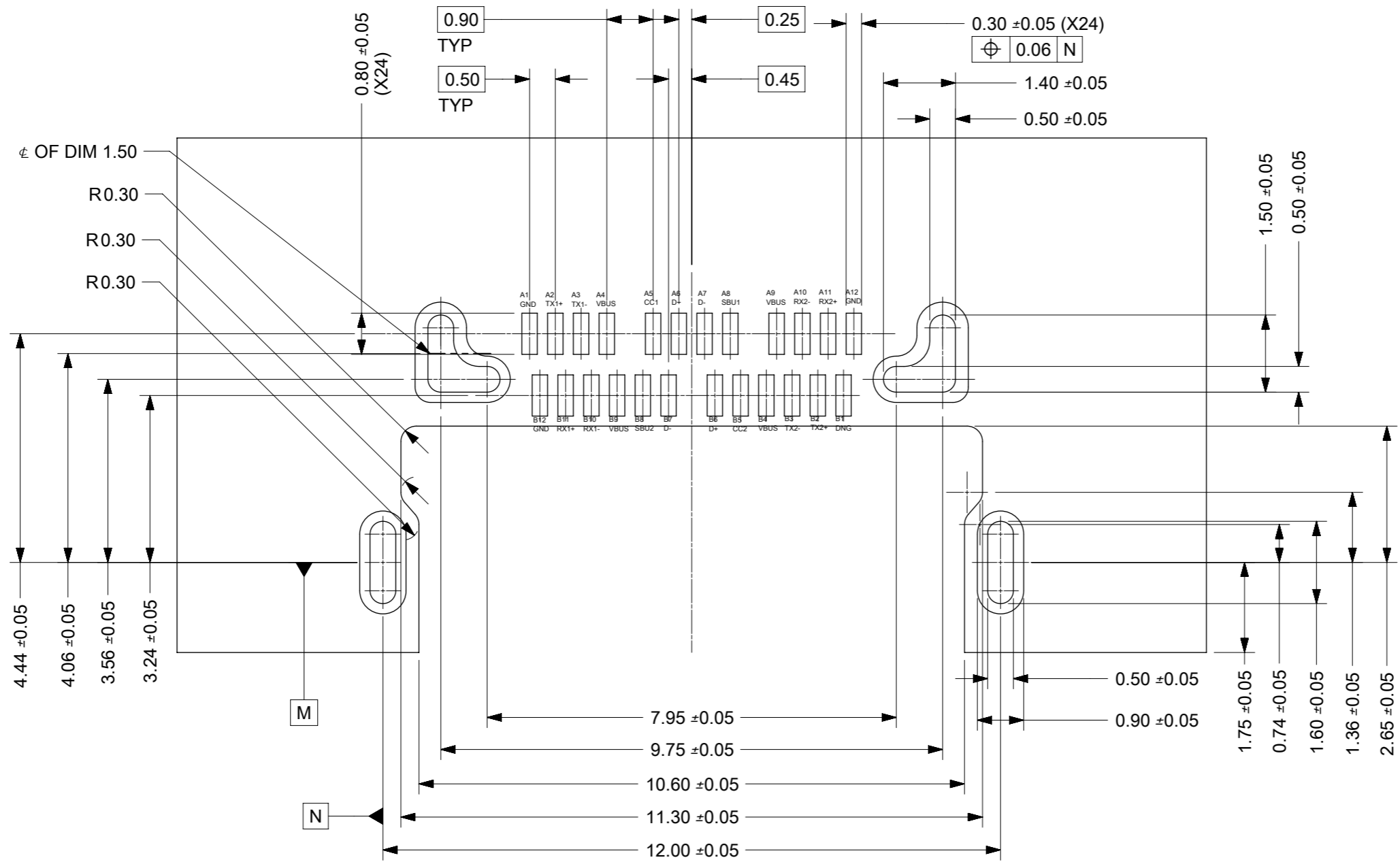
CONTACT AREA PLATING:  
 TOTAL 24X TERMINALS  
 1. CONTACT SURFACE PLATED Au 0.75um MIN.  
 2. BOTTOM AND TWO SIDE SURFACES PLATED GOLD FLASH

ITEM	PART NAME	MATERIAL	REMARK
1	L-TERMINAL	COPPER ALLOY	CONTACT AREA: DETAILS REFER TO DRAWING SOLDER TAIL: 0.025 MICROMETER MIN. GOLD PLATING UNDER PLATING: 2 MICROMETER MIN. NICKEL PLATING OVERALL
2	U-TERMINAL	COPPER ALLOY	
3	MID BLADE	STAINLESS STEEL	1 MICROMETR MIN. SOLDERABLE NICKEL PLATING OVERALL
4	I/M TONGUE	PLASTIC	COLOR: BLACK; UL94V-0
5	O/M RESIN SHELL	PLASTIC	COLOR: BLACK; UL94V-0
6	O/M METAL SHELL	STAINLESS STEEL	1 MICROMETR MIN. SOLDERABLE NICKEL PLATING OVERALL
7	MAIN SHELL	STAINLESS STEEL	1 MICROMETR MIN. SOLDERABLE NICKEL PLATING OVERALL
8	LIM	RUBBER	COLOR: BLACK;



DETAIL D  
SCALE 50:1

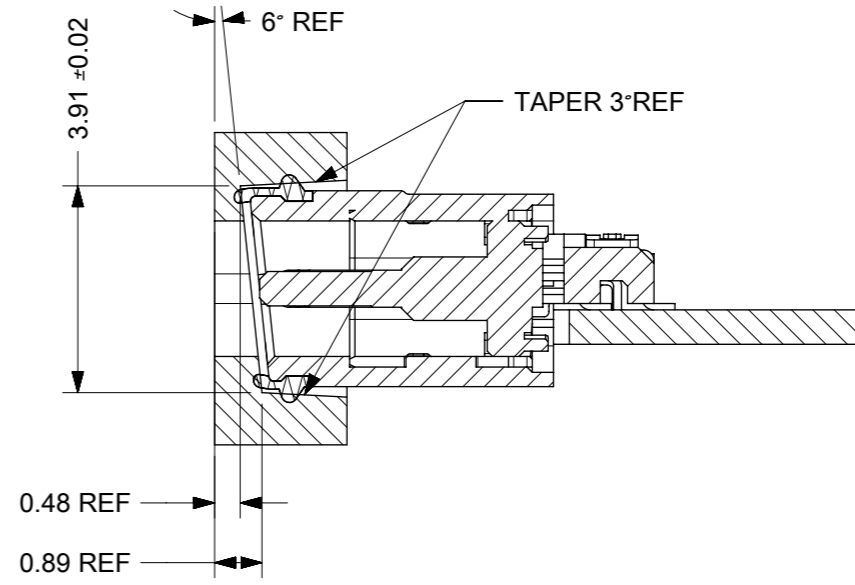
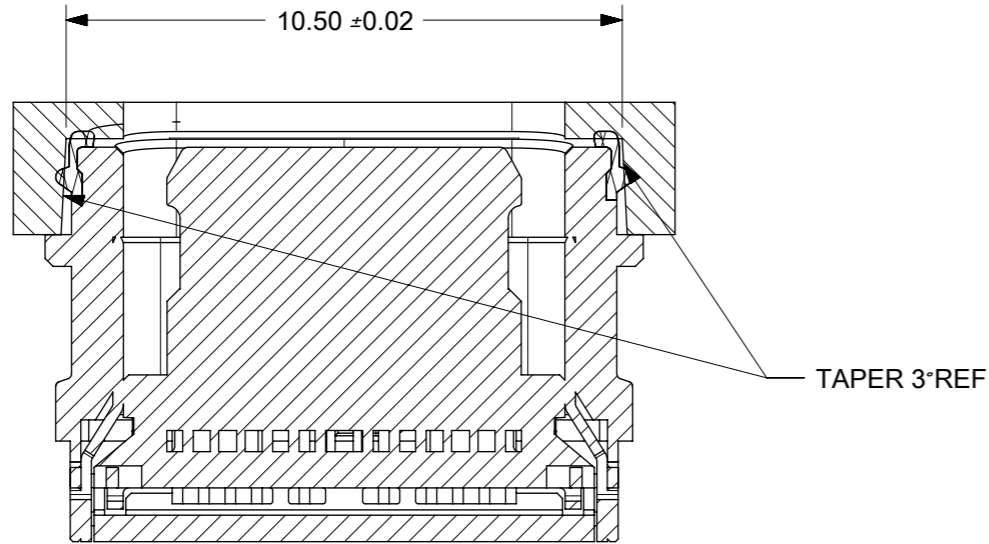
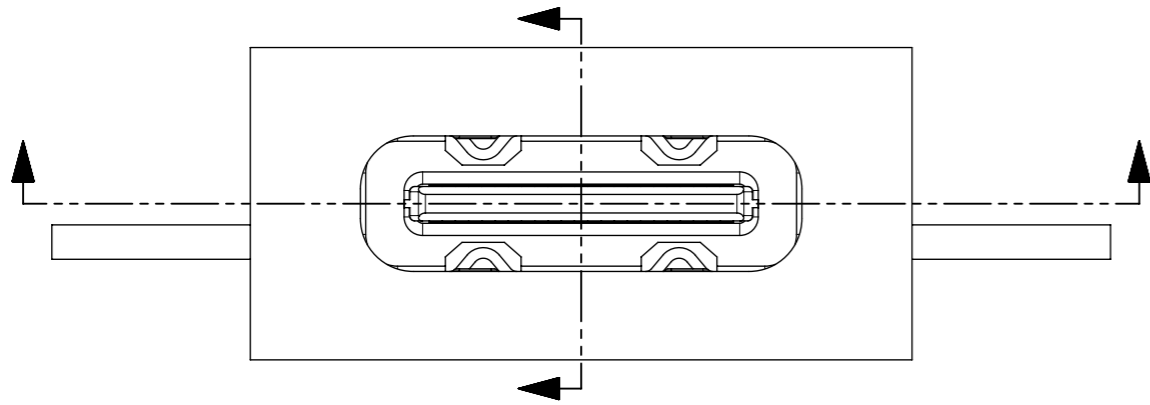
<b>SYMBOLS</b> DIMENSION UNITS: mm SCALE: 1:1 GENERAL TOLERANCES (UNLESS SPECIFIED) ANGULAR TOL ± 3.0° 4 PLACES ± 3 PLACES ± 2 PLACES ± 0.2 1 PLACE ± 0.2 0 PLACES ± DRAFT WHERE APPLICABLE MUST REMAIN WITHIN DIMENSIONS THIRD ANGLE PROJECTION DRAWING: A3-SIZE SERIES: 202410	THIS DRAWING CONTAINS INFORMATION THAT IS PROPRIETARY TO MOLEX ELECTRONIC TECHNOLOGIES, LLC AND SHOULD NOT BE USED WITHOUT WRITTEN PERMISSION CURRENT REV DESC: EC NO: 606478 DRWN: RLI09 2018/10/24 CHK'D: RZHANG 2018/10/24 APPR: RZHANG 2018/10/24 INITIAL REVISION: DRWN: RLI09 2016/08/17 APPR: RZHANG 2016/09/14		 24PIN TYPE C RECEPTACLE PRODUCT CUSTOMER DRAWING		
	DOCUMENT NUMBER: 2024100001	DOC TYPE: PSD	DOC PART: 000	REVISION: F1	SHEET NUMBER: 2 OF 5
	MATERIAL NUMBER: 2024100002	CUSTOMER:			



RECOMMENDED PCB LAYOUT

<b>SYMBOLS</b> = 0 = 0 = 0 = 0 = 0 = 0 = 0 = 0 = 0 = 0	THIS DRAWING CONTAINS INFORMATION THAT IS PROPRIETARY TO MOLEX ELECTRONIC TECHNOLOGIES, LLC AND SHOULD NOT BE USED WITHOUT WRITTEN PERMISSION		<b>CURRENT REV DESC:</b> EC NO: 606478 DRWN: RLI09 2018/10/24 CHK'D: RZHANG 2018/10/24 APPR: RZHANG 2018/10/24			 24PIN TYPE C RECEPTACLE		
	DIMENSION UNITS <b>mm</b>	SCALE <b>10:1</b>						
	4 PLACES ± 3 PLACES ± 2 PLACES ± 0.2 1 PLACE ± 0.2 0 PLACES ±	INITIAL REVISION: DRWN: RLI09 2016/08/17 APPR: RZHANG 2016/09/14			DOCUMENT NUMBER <b>2024100001</b>	DOC TYPE PSD	DOC PART 000	REVISION <b>F1</b>
	DRAFT WHERE APPLICABLE MUST REMAIN WITHIN DIMENSIONS	THIRD ANGLE PROJECTION 	DRAWING <b>A3-SIZE</b>	SERIES <b>202410</b>	MATERIAL NUMBER 2024100002	CUSTOMER	SHEET NUMBER 3 OF 5	

# CONNECTOR VS MIAN CASE RELATIVE POSITION



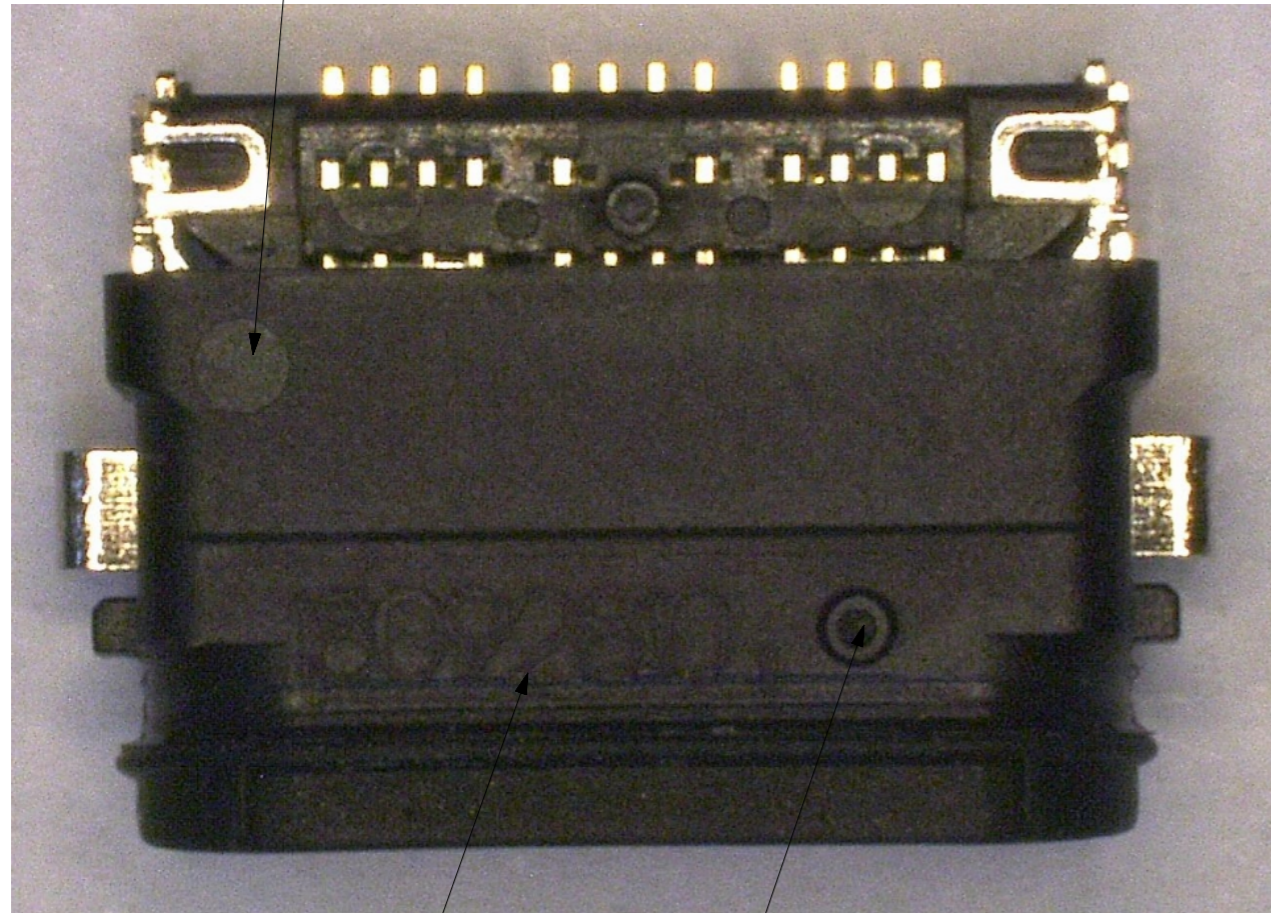
SYMBOLS	THIS DRAWING CONTAINS INFORMATION THAT IS PROPRIETARY TO MOLEX ELECTRONIC TECHNOLOGIES, LLC AND SHOULD NOT BE USED WITHOUT WRITTEN PERMISSION										
	DIMENSION UNITS	SCALE	CURRENT REV DESC:								
▽ = 0	mm	7:1	EC NO: 606478								
▽ = 0	GENERAL TOLERANCES (UNLESS SPECIFIED)		DRWN: RLI09 2018/10/24							PRODUCT CUSTOMER DRAWING	
▽ = 0	ANGULAR TOL ± 3.0°		CHK'D: RZHANG 2018/10/24							DOCUMENT NUMBER	
▽ = 0	4 PLACES ±		APPR: RZHANG 2018/10/24							2024100001	
▽ = 0	3 PLACES ±		INITIAL REVISION:							DOC TYPE	
▽ = 0	2 PLACES ± 0.2		DRWN: RLI09 2016/08/17							PSD	
▽ = 0	1 PLACE ± 0.2		APPR: RZHANG 2016/09/14							DOC PART	
▽ = 0	0 PLACES ±		SERIES							000	
□ = 0	DRAFT WHERE APPLICABLE MUST REMAIN WITHIN DIMENSIONS		THIRD ANGLE PROJECTION		DRAWING	SHEET NUMBER	MATERIAL NUMBER	CUSTOMER	REVISION		
▽ = 0					A3-SIZE	202410	2024100002		F1		
									SHEET NUMBER		
									4 OF 5		



RESERVED AREA FOR TOOLING NUMBER  
NO INFORMATION

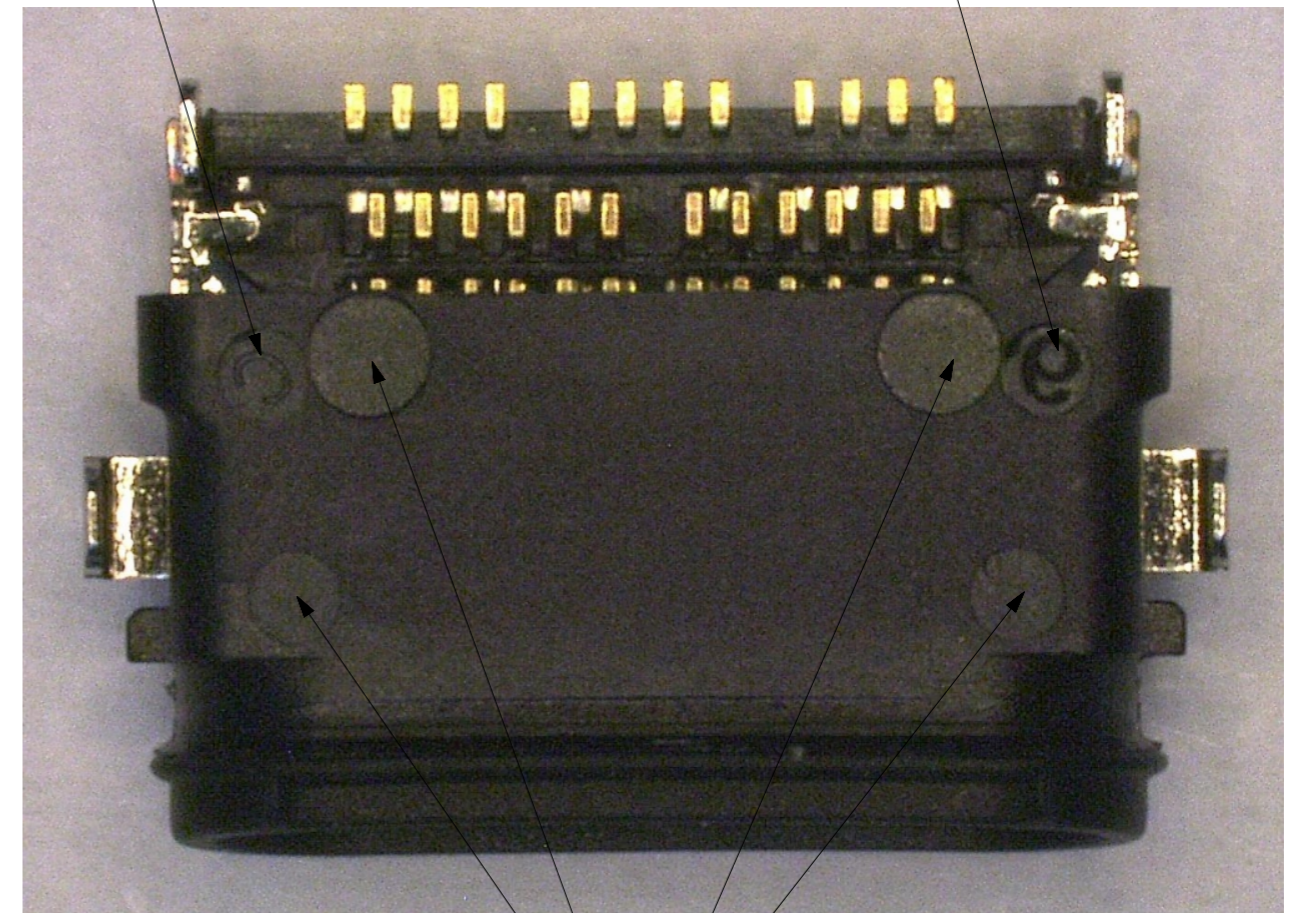
TOOLING NUMBER

CAVITY NUMBER



DATE CODE

INJECTION GATE



EJECTOR PIN MARK

<b>SYMBOLS</b> ▽ = 0 ▽ = 0 ▽ = 0 ▽ = 0 ▽ = 0 ▽ = 0 ▽ = 0 ▽ = 0 ▽ = 0 ▽ = 0	THIS DRAWING CONTAINS INFORMATION THAT IS PROPRIETARY TO MOLEX ELECTRONIC TECHNOLOGIES, LLC AND SHOULD NOT BE USED WITHOUT WRITTEN PERMISSION		CURRENT REV DESC:				
	mm	1:1	EC NO: 606478				
	GENERAL TOLERANCES (UNLESS SPECIFIED)		DRWN: RLI09 2018/10/24		PRODUCT CUSTOMER DRAWING		
	ANGULAR TOL ± 3.0°		CHK'D: RZHANG 2018/10/24		DOCUMENT NUMBER		
	4 PLACES ±		APPR: RZHANG 2018/10/24		2024100001		PSD
	3 PLACES ±		INITIAL REVISION:		DOC PART		REVISION
	2 PLACES ± 0.2		DRWN: RLI09 2016/08/17		000		F1
	1 PLACE ± 0.2		APPR: RZHANG 2016/09/14		MATERIAL NUMBER		CUSTOMER
	0 PLACES ±		THIRD ANGLE PROJECTION		A3-SIZE		SHEET NUMBER
	DRAFT WHERE APPLICABLE MUST REMAIN WITHIN DIMENSIONS		DRAWING		SERIES		5 OF 5