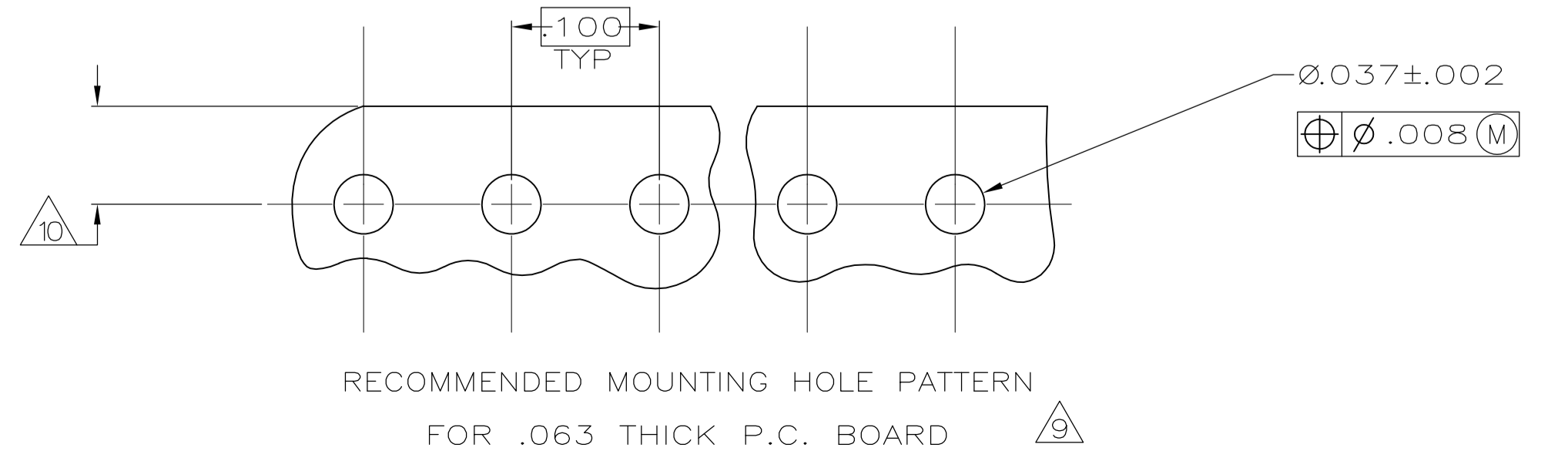
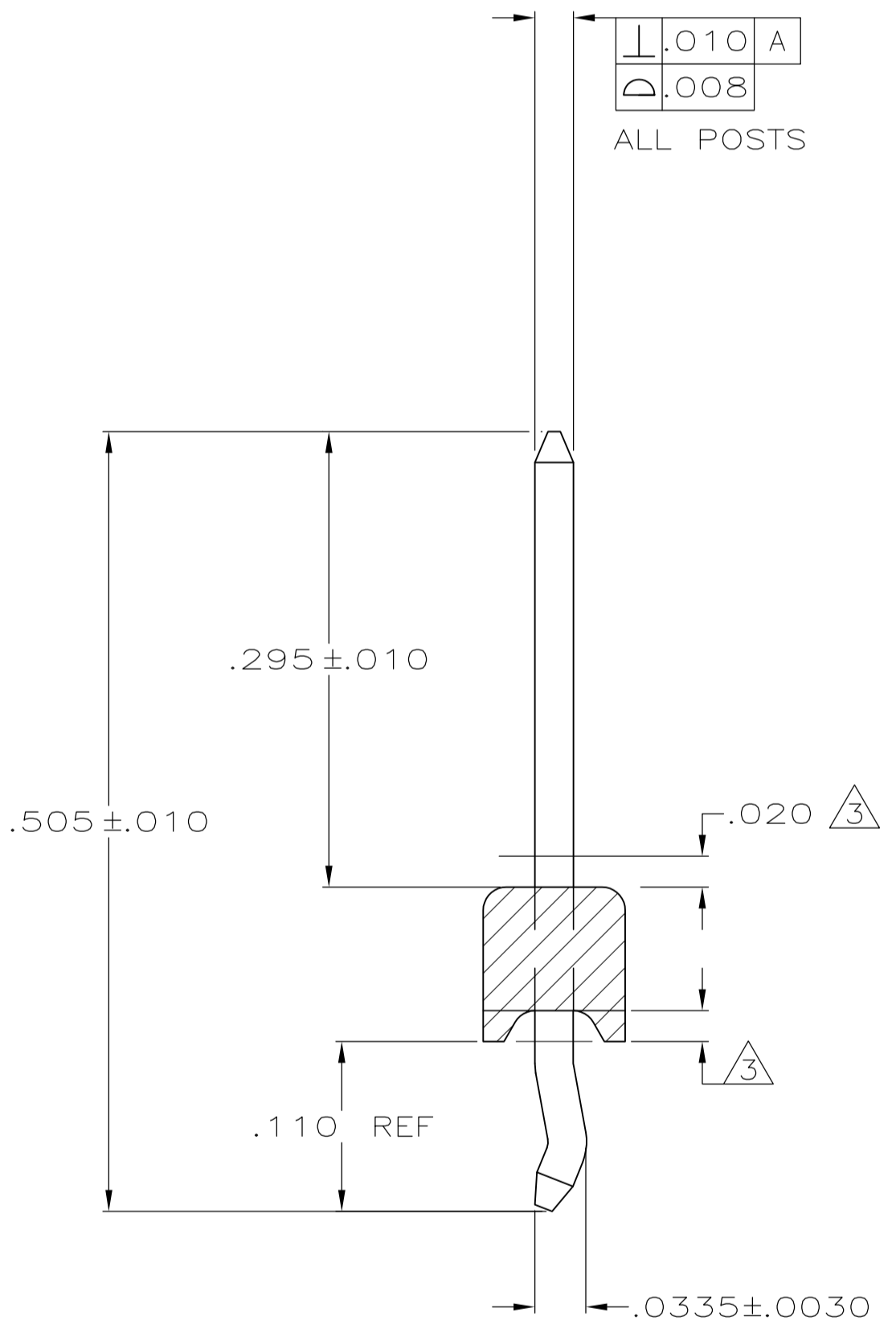
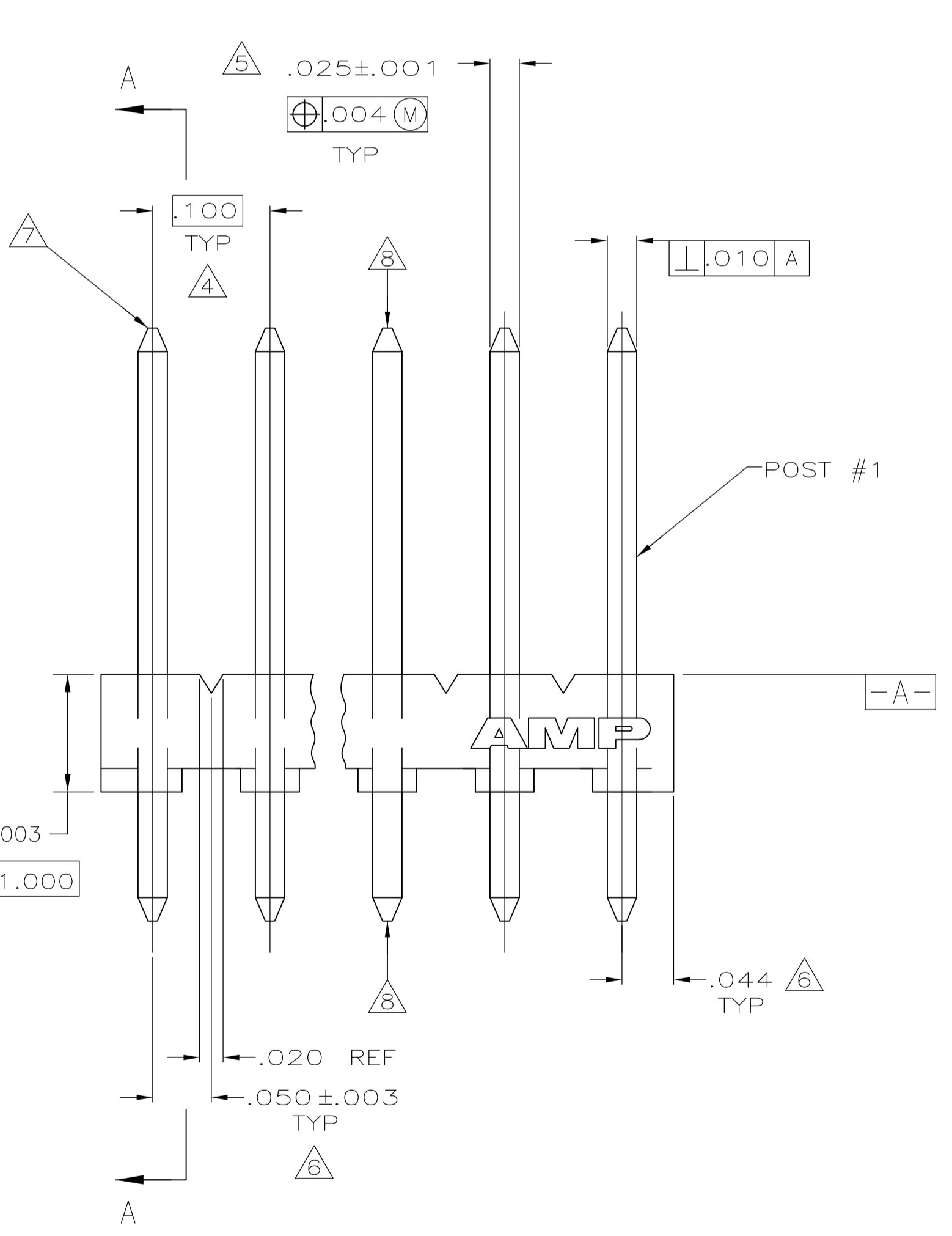
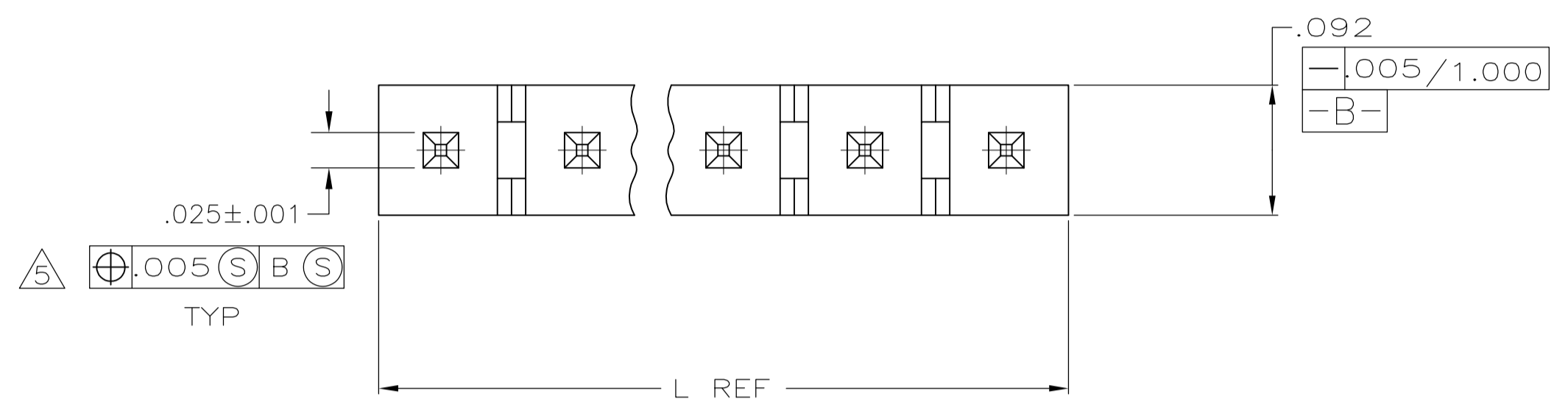


LOC		REVISIONS					
CM	00	P	LTR	DESCRIPTION	DATE	DWN	APVD
E2	REVISED PER		ECO-11-004820		11MAR11	RK	HMR

1. MATERIAL:  
 BASE: THERMOPLASTIC POLYESTER,UL 94V-0 (NATURAL).  
 POST: COPPER ALLOY (TIN OR TIN-LEAD PLATED,.000150 MIN THK).
2. PARTS MUST COMPLY WITH AMP SOLDERABILITY SPEC 109-11-2.
3. PLASTIC AROUND POST PERMISSIBLE IN THIS AREA ONLY.
4. DIMENSION APPLIES WHEN HEADER IS HELD FLAT.
5. MEASURED AT **-A-**
6. COORDINATE DIMENSION APPLIES FROM CENTER OF ACTUAL FEATURE.
7. RADIUS AT TIP PERMITTED, BOTH ENDS.
8. POST MUST WITHSTAND 3.0 LB (13 NEWTONS) MIN AXIAL FORCE IN BOTH DIRECTIONS WITHOUT DISLODGING.
9. TOLERANCES APPLY TO SOLDER SIDE OF BOARD.
10. DIMENSION SHOULD BE .060 MIN WHEN MATING WITH A MTA-100 CONNECTOR ASSEMBLY OR A CST-100 CONNECTOR.
11. AMP LOGO MAY OR MAY NOT APPEAR ON MOLDING HOUSING.



NO.	LEADFREE	RETENTIVE POSITIONS	NO. OF POSTS	IN	MM	NO. OF CIRCUITS	PART NUMBER
1,14,28	28	2,788	70.82	28		5-644695-8	
1,14,27	27	2,688	68.28	27		5-644695-7	
1,13,26	26	2,588	65.74	26		5-644695-6	
1,13,25	25	2,488	63.20	25		5-644695-5	
1,12,24	24	2,388	60.66	24		5-644695-4	
1,12,23	23	2,288	58.12	23		5-644695-3	
1,11,22	22	2,188	55.58	22		5-644695-2	
1,11,21	21	2,088	53.04	21		5-644695-1	
1,10,20	20	1,988	50.50	20		5-644695-0	
1,10,19	19	1,888	47.96	19		4-644695-9	
1,9,18	18	1,788	45.42	18		4-644695-8	
1,9,17	17	1,688	42.88	17		4-644695-7	
1,8,16	16	1,588	40.34	16		4-644695-6	
1,8,15	15	1,488	37.80	15		4-644695-5	
1,7,14	14	1,388	35.26	14		4-644695-4	
1,7,13	13	1,288	32.72	13		4-644695-3	
1,6,12	12	1,188	30.18	12		4-644695-2	
1,6,11	11	1,088	27.64	11		4-644695-1	
1,10	10	.988	25.10	10		4-644695-0	
1,9	9	.888	22.56	9		3-644695-9	
1,8	8	.788	20.02	8		3-644695-8	
1,7	7	.688	17.48	7		3-644695-7	
1,6	6	.588	14.94	6		3-644695-6	
1,5	5	.488	12.40	5		3-644695-5	
1,4	4	.388	9.86	4		3-644695-4	
1,3	3	.288	7.32	3		3-644695-3	
1,2	2	.188	4.78	2		3-644695-2	
SUSPENDED BY 5-644695-8							
SUSPENDED BY 5-644695-7							
SUSPENDED BY 5-644695-6							
SUSPENDED BY 5-644695-5							
SUSPENDED BY 5-644695-4							
SUSPENDED BY 5-644695-3							
SUSPENDED BY 5-644695-2							
SUSPENDED BY 5-644695-1							
SUSPENDED BY 5-644695-0							
SUSPENDED BY 4-644695-9							
SUSPENDED BY 4-644695-8							
SUSPENDED BY 4-644695-7							
SUSPENDED BY 4-644695-6							
SUSPENDED BY 4-644695-5							
SUSPENDED BY 4-644695-4							
SUSPENDED BY 4-644695-3							
SUSPENDED BY 4-644695-2							
SUSPENDED BY 4-644695-1							
SUSPENDED BY 4-644695-0							
SUSPENDED BY 3-644695-9							
SUSPENDED BY 3-644695-8							
SUSPENDED BY 3-644695-7							
SUSPENDED BY 3-644695-6							
SUSPENDED BY 3-644695-5							
SUSPENDED BY 3-644695-4							
SUSPENDED BY 3-644695-3							
SUSPENDED BY 3-644695-2							
SUSPENDED BY 3-644695-1							
SUSPENDED BY 3-644695-0							
SUSPENDED BY 3-644695-9							
SUSPENDED BY 3-644695-8							
SUSPENDED BY 3-644695-7							
SUSPENDED BY 3-644695-6							
SUSPENDED BY 3-644695-5							
SUSPENDED BY 3-644695-4							
SUSPENDED BY 3-644695-3							
SUSPENDED BY 3-644695-2							
SUSPENDED BY 3-644695-1							
SUSPENDED BY 3-644695-0							
SUSPENDED BY 3-644695-9							
SUSPENDED BY 3-644695-8							
SUSPENDED BY 3-644695-7							
SUSPENDED BY 3-644695-6							
SUSPENDED BY 3-644695-5							
SUSPENDED BY 3-644695-4							
SUSPENDED BY 3-644695-3							
SUSPENDED BY 3-644695-2							
SUSPENDED BY 3-644695-1							
SUSPENDED BY 3-644695-0							

THIS DRAWING IS A CONTROLLED DOCUMENT.

BTB S. CARPENTER 27MAY2003  
 CJK D. BOSSI 27MAY2003  
 AFD D. BOSSI 27MAY2003

**STE** TE Connectivity

MTA-100 HEADER ASSEMBLY,NARROW  
 .025 SQUARE STRAIGHT POST WITH  
 RETENTIVE LEGS,TIN PLATED

SIZE: A1 CODE: 00779 DRAWING NO: 644695  
 WEIGHT: CUSTOMER DRAWING SCALE: 10:1 SHEET: 1 OF 1 REV: E2