

1-172167-9 ✓ ACTIVE

MATE-N-LOK | Mini-Universal MATE-N-LOK

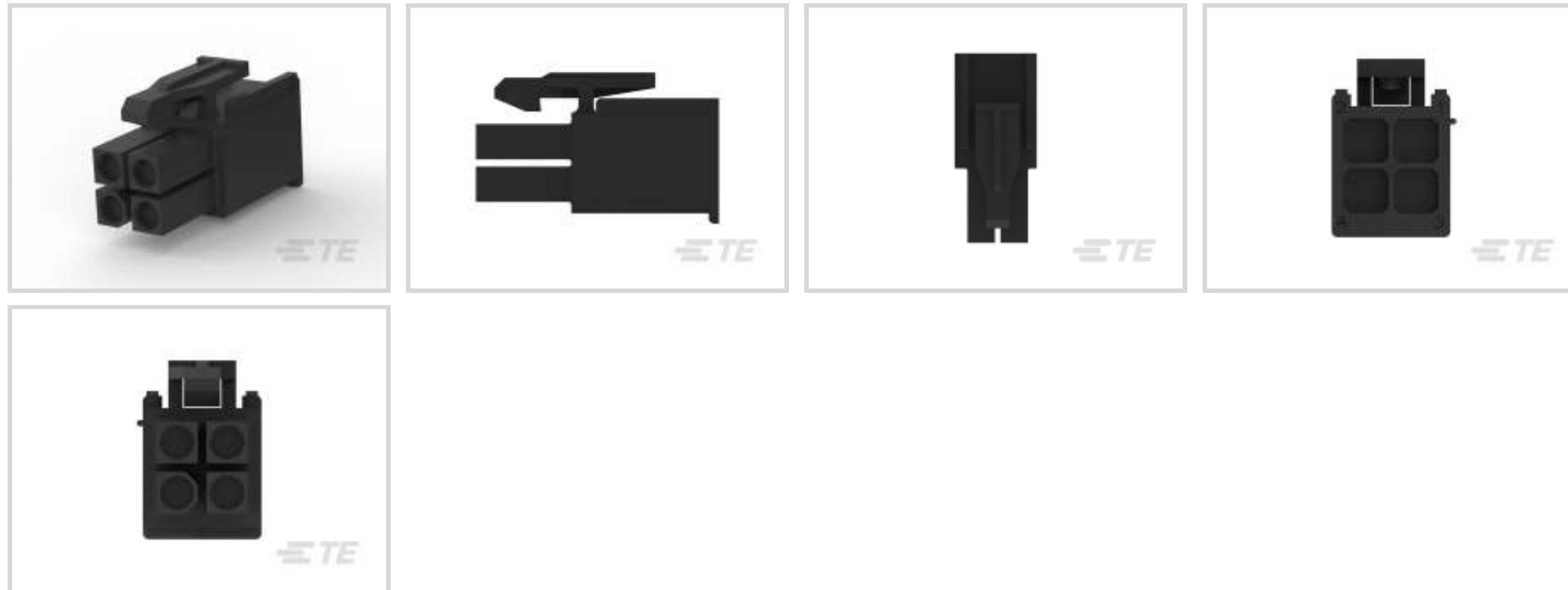
TE Internal #: 1-172167-9

Rectangular Power Connectors, Housing, Plug, Wire-to-Wire, 4 Position, 4.14 mm [.162 in] Centerline, Wire & Cable, UL 94V-0, Mini-Universal MATE-N-LOK

[View on TE.com >](#)



Connectors > Power Connectors > Rectangular Power > Rectangular Power Connectors



Rectangular Power Connector Type: **Housing**

Connector & Housing Type: **Plug**

Connector System: **Wire-to-Wire**

Number of Positions: **4**

Centerline (Pitch): **4.14 mm [.162 in]**

Features

Product Type Features

Rectangular Power Connector Type	Housing
Connector & Housing Type	Plug
Connector System	Wire-to-Wire
Sealable	No
Connector & Contact Terminates To	Wire & Cable

Configuration Features

Number of Positions	4
Number of Rows	2

Electrical Characteristics

Operating Voltage	600 VDC
-------------------	---------

Contact Features

Multiple Contact Types	Without
Contact Retention Within Housing	Without
Contact Type	Socket

Termination Features

Termination Method to Wire & Cable	Crimp
------------------------------------	-------

Mechanical Attachment

Panel Mount Feature	Without
Connector Mounting Type	Cable Mount (Free-Hanging)

Housing Features

Centerline (Pitch)	4.14 mm [.162 in]
Housing Color	Black
Housing Material	Nylon 66

Dimensions

Row-to-Row Spacing	4.14 mm [.162 in]
--------------------	-------------------

Usage Conditions

Operating Temperature Range	-20 – 105 °C [-4 – 221 °F]
-----------------------------	----------------------------

Operation/Application

Circuit Application	Power & Signal
---------------------	----------------

Identification Marking

Circuit Identification Feature	With
--------------------------------	------

Industry Standards

CSA Rating	Certified, LR 7189
UL Rating	Recognized
Agency/Standard	CSA, UL
Approved Standards	UL E28476
UL Flammability Rating	UL 94V-0
Glow Wire Rating	Standard Part - Not Glow Wire

Packaging Features

Packaging Quantity	500
Packaging Method	Bag

Product Compliance

For compliance documentation, visit the product page on [TE.com](https://www.te.com)>

EU RoHS Directive 2011/65/EU	Compliant
------------------------------	-----------



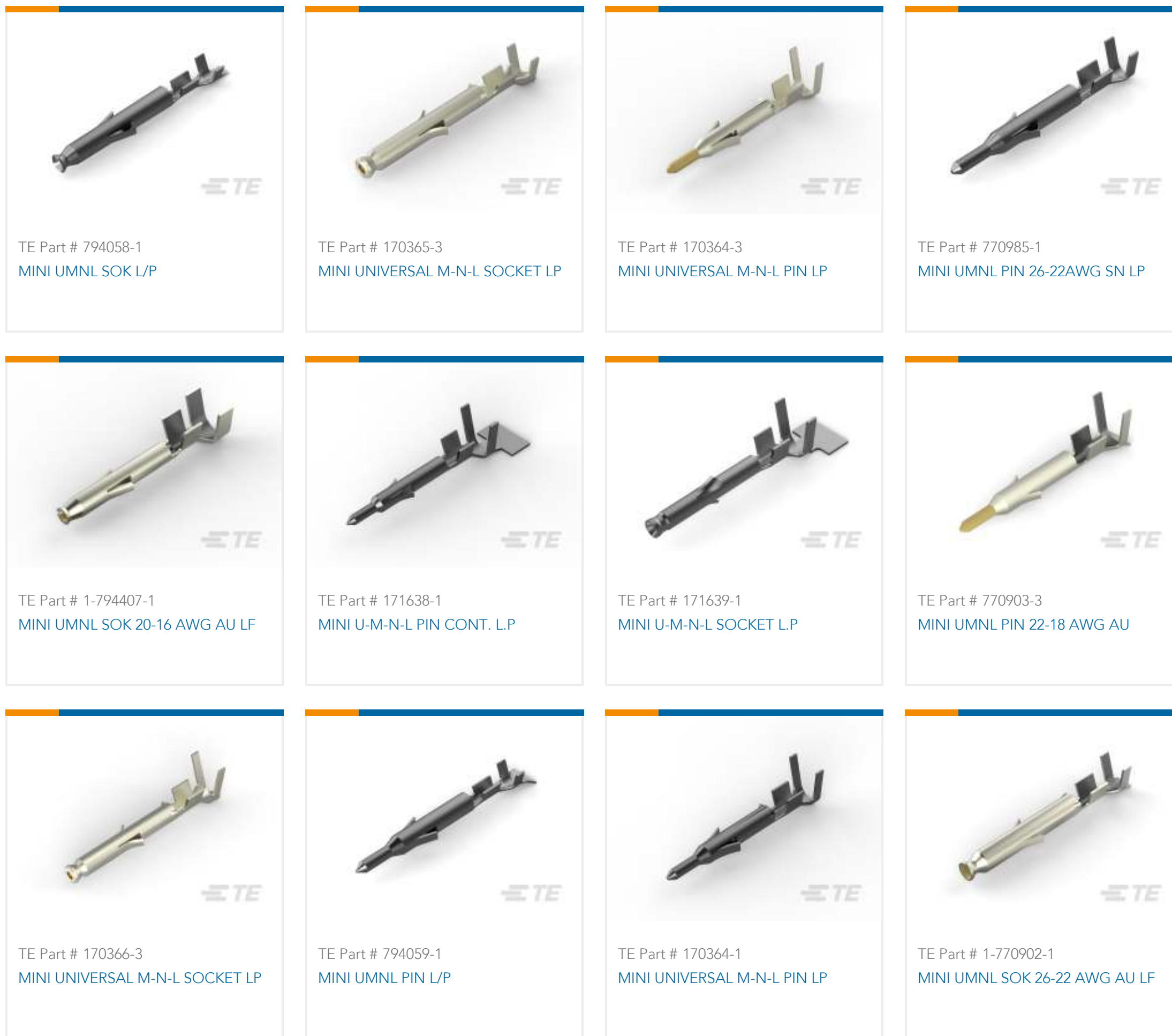
EU ELV Directive 2000/53/EC	Compliant
China RoHS 2 Directive MIIT Order No 32, 2016	No Restricted Materials Above Threshold
EU REACH Regulation (EC) No. 1907/2006	Current ECHA Candidate List: JUNE 2023 (235) Candidate List Declared Against: JAN 2023 (233) Does not contain REACH SVHC
Halogen Content	Low Halogen - Br, Cl, F, I < 900 ppm per homogenous material. Also BFR/CFR/PVC Free
Solder Process Capability	Not applicable for solder process capability

Product Compliance Disclaimer

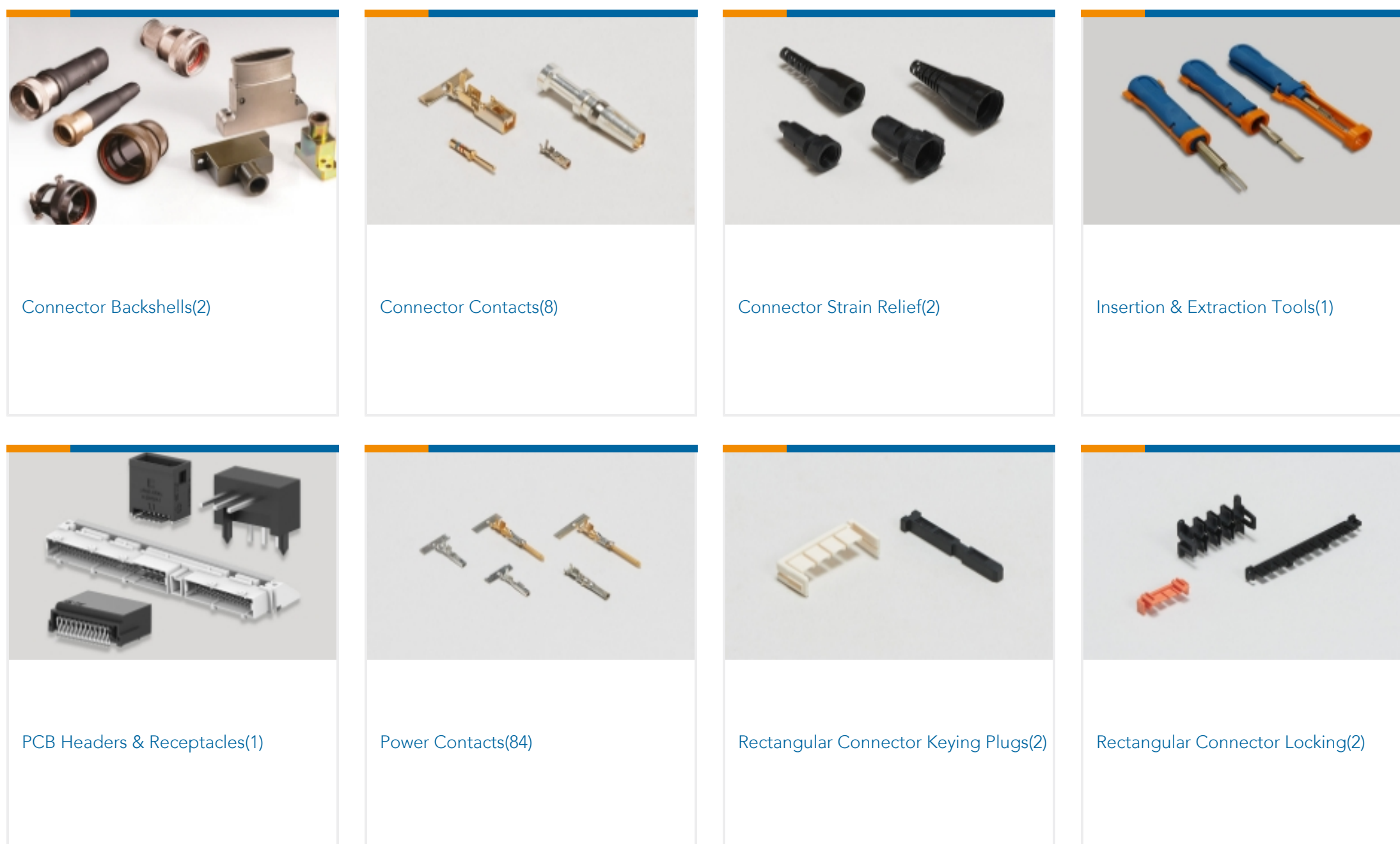
This information is provided based on reasonable inquiry of our suppliers and represents our current actual knowledge based on the information they provided. This information is subject to change. The part numbers that TE has identified as EU RoHS compliant have a maximum concentration of 0.1% by weight in homogenous materials for lead, hexavalent chromium, mercury, PBB, PBDE, DBP, BBP, DEHP, DIBP, and 0.01% for cadmium, or qualify for an exemption to these limits as defined in the Annexes of Directive 2011/65/EU (RoHS2). Finished electrical and electronic equipment products will be CE marked as required by Directive 2011/65/EU. Components may not be CE marked. Additionally, the part numbers that TE has identified as EU ELV compliant have a maximum concentration of 0.1% by weight in homogenous materials for lead, hexavalent chromium, and mercury, and 0.01% for cadmium, or qualify for an exemption to these limits as defined in the Annexes of Directive 2000/53/EC (ELV). Regarding the REACH Regulation, the information TE provides on SVHC in articles for this part number is based on the latest European Chemicals Agency (ECHA) 'Guidance on requirements for substances in articles' posted at this URL: <https://echa.europa.eu/guidance-documents/guidance-on-reach>

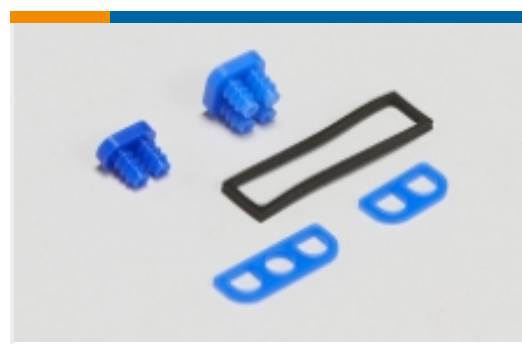
Compatible Parts

 TE Part # 1-770988-1 MINI UMNL SOK 22-18AWG LP LF	 TE Part # 1-770985-0 MINI UMNL PIN 26-22AWG AU LP	 TE Part # 1-770987-0 MINI UMNL PIN 22-18 AWG AU LP	 TE Part # 770988-3 MINI UMNL SOK 22-18AWG AU LP
 TE Part # 1-770988-0 MINI UMNL SOK 22-18AWG AU	 TE Part # 1-794059-0 MINI UMNL PIN L/P LF	 TE Part # 770988-1 MINI UMNL SOK 22-18AWG SN LP	 TE Part # 770986-1 MINI UMNL SOK 26-22AWG SN LP



Also in the Series | Mini-Universal MATE-N-LOK



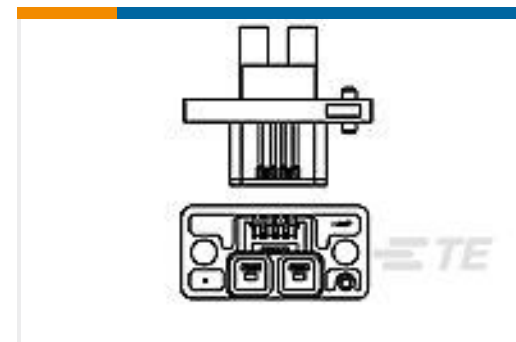
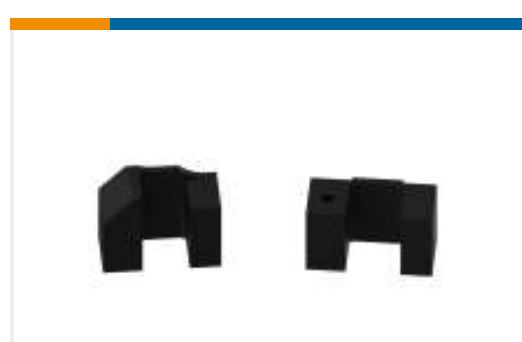


Rectangular Connector Seals(17)



Rectangular Power Connectors(243)

Customers Also Bought

TE Part #1-172159-2
MINI UNIVERSAL M-N-L CAP 4PTE Part #170362-4
MINI UNIVERSAL M-N-L SOCKETTE Part #3-643818-5
05P MTA156 CONN ASSY 20AWG YELTE Part #292180-1
CAP ASS'Y W/O COMMONING TAB
FOTE Part #1-172160-2
MINI UNIVERSAL M-N-L CAP 6PTE Part #1-172162-2
12 POS TR MINI UNIVTE Part #1-172165-9
2CIR MINI U-M-N-L PLUG BLCKTE Part #1-172168-9
MINI UNIVERSAL M-N-L PLUG 6PTE Part #1-2119805-0
SHEAR HOLDER, FRONTTE Part #1-1825043-9
UP3DTBNLA04,MICROSWITCH,SNAP

Documents

Product Drawings

4 POS SR MINI UNIV

English

CAD Files

3D PDF

3D

Customer View Model

ENG_CVM_CVM_1-172167-9_M.2d_dxf.zip



English

Customer View Model

[ENG_CVM_CVM_1-172167-9_M.3d_igs.zip](#)

English

Customer View Model

[ENG_CVM_CVM_1-172167-9_M.3d_stp.zip](#)

English

By downloading the CAD file I accept and agree to the [Terms and Conditions](#) of use.

Product Specifications

[Engineering Report](#)

English

Product Environmental Compliance

[MD_1-172167-9_0606201875_dmtec](#)

English

[MD_1-172167-9_0606201875_dmtec](#)

English

Instruction Sheets

[Instruction Sheet \(U.S.\)](#)

English