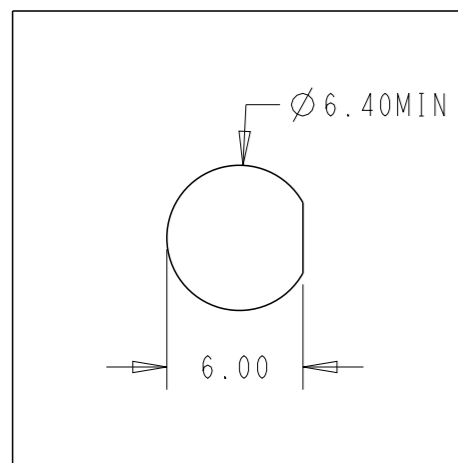
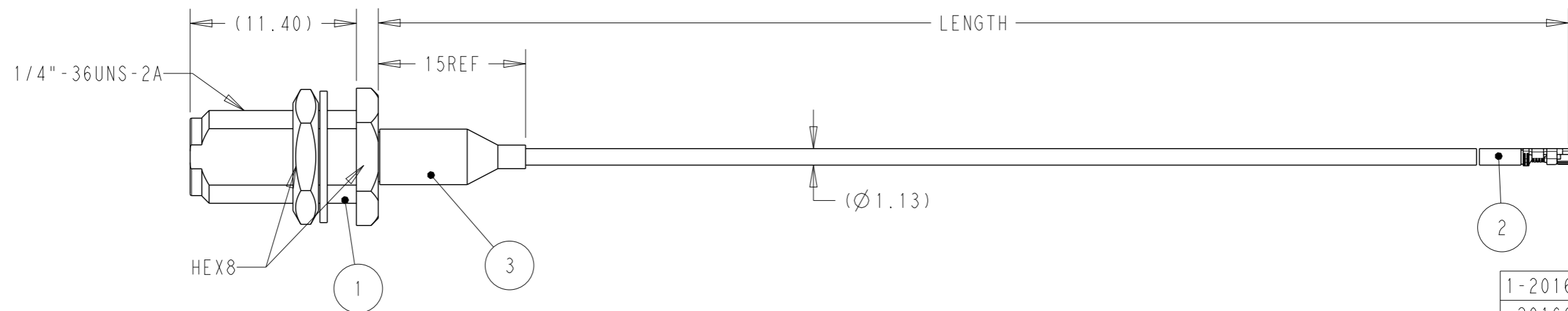
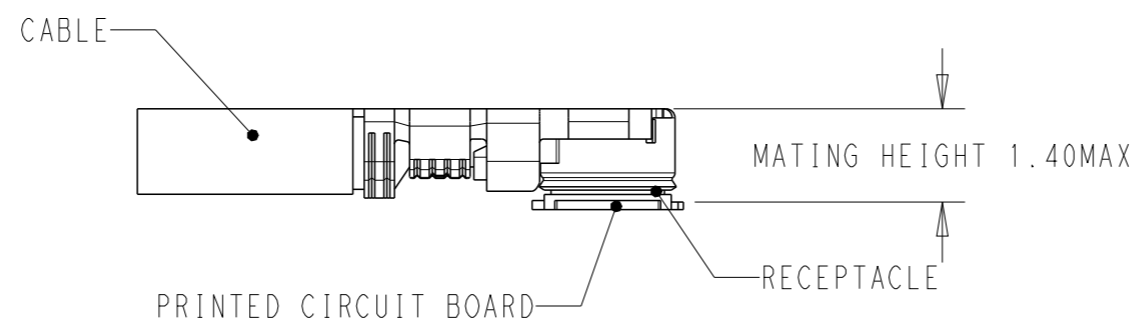


P	LTR	DESCRIPTION	DATE	DWN	APVD
3		ADDED UMCC MATING DIM	18MAY2020	CL	SZ
3		ECR-15-001339	18MAY2020	CL	SZ
4		ECR-22-136185	18APR2022	JZ	WKH
A		ECR-22-147664	28JUL2022	JZ	WKH



RECOMMENDED MOUNTING HOLE



PART NUMBER	LENGTH
1-2016694-0	170±3
2016694-9	500±5
2016694-8	450±5
2016694-7	350±5
2016694-6	300±3
2016694-5	250±3
2016694-4	200±3
2016694-3	150±3
2016694-2	100±3
2016694-1	50+3

NOTES:

- MATERIAL AND PROCESSING MUST MEET REQUIREMENTS OF TEC-138-702
- SMA BULKHEAD NEED ASSEMBLY NUT AND WASHER
- PRODUCT RATING:
 TEMPERATURE: -45°C TO +85°C
 VOLTAGE: 30V (RMS)
 CHARACTERISTIC IMPEDANCE: 50 OHMS Normal
 FREQUENCY RANGE: DC TO 9GHz
 BEND RADIUS: 5MM MIN
- CABLE ASSEMBLY TO BE 100% OPEN AND SHORT TESTED
- SMA INTERFACE FOLLOW IEC 60169-15
 UMCC IV CAN MATE WITH I-PEX MHF4L SERIES AND HIROSE W.FL SERIES

PC	Q'TY	UNIT	DESCRIPTION	ITEM
PC	1		HEAT SHRINK TUBE	3
PC	0.5		RF CA,UMCC4 BOTH END, WITH 1.13CABLE	2
PC	1		SMA BULKHEAD, FOR 1.13 CABLE	1

THIS DRAWING IS A CONTROLLED DOCUMENT.		DWN 25FEB2019 Cedar Liu														
DIMENSIONS: mm		CHK 26FEB2019 Roger Song														
TOLERANCES UNLESS OTHERWISE SPECIFIED:		APVD - Roger Song	NAME RF CA, SMA BULKHEAD TO UMCC GEN4 WITH 1.13 CABLE													
<table border="1"> <tr><td>0 PLC</td><td>±-</td></tr> <tr><td>1 PLC</td><td>±0.5</td></tr> <tr><td>2 PLC</td><td>±0.13</td></tr> <tr><td>3 PLC</td><td>±0.013</td></tr> <tr><td>4 PLC</td><td>±0.0001</td></tr> <tr><td>ANGLES</td><td>±-</td></tr> </table>		0 PLC	±-	1 PLC	±0.5	2 PLC	±0.13	3 PLC	±0.013	4 PLC	±0.0001	ANGLES	±-	PRODUCT SPEC -	SIZE CAGE CODE DRAWING NO RESTRICTED TO	
0 PLC	±-															
1 PLC	±0.5															
2 PLC	±0.13															
3 PLC	±0.013															
4 PLC	±0.0001															
ANGLES	±-															
MATERIAL -		APPLICATION SPEC -	A3 00779 C-2016694 -													
FINISH -		WEIGHT -	CUSTOMER DRAWING SCALE 1:1 SHEET 1 OF 1 REV A													