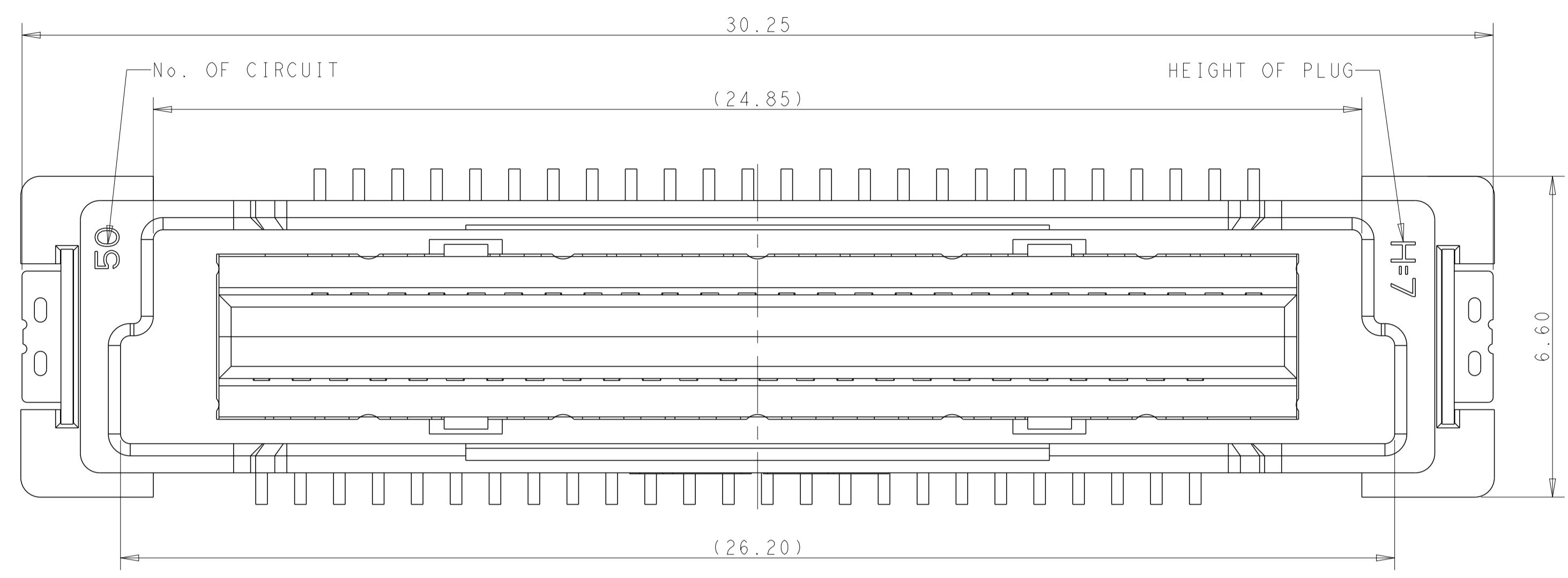
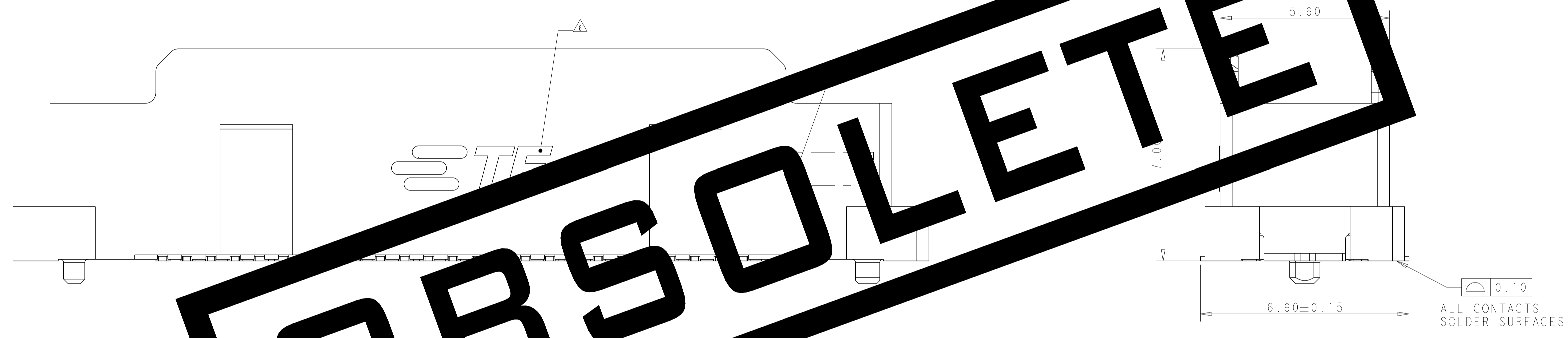


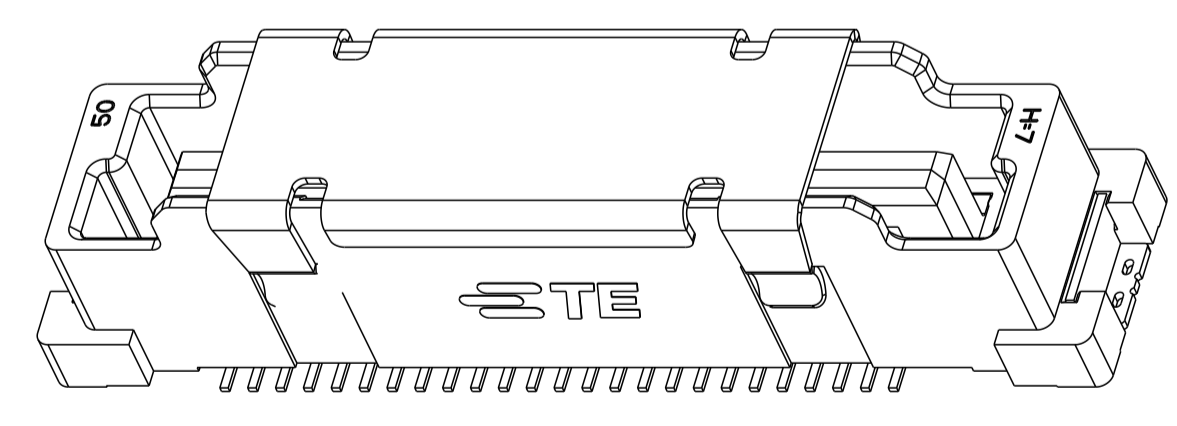
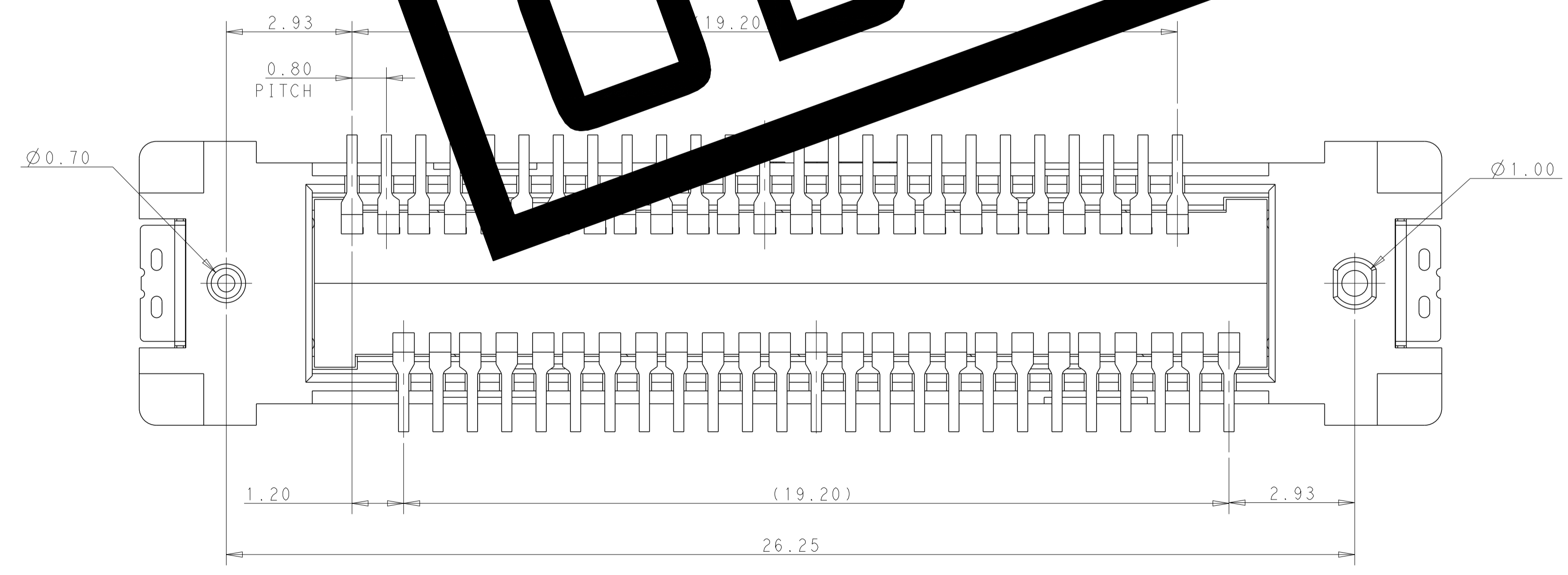
REVISIONS				
P. LTN	DESCRIPTION	DATE	DWN	APVD
6	ADD 150PINS VERSION	10JUL2018	A. L	



- NOTES:
- △ MATERIAL:
HOUSING AND CONTACT OVERMOLD: LCP, BLACK.
CARRY COVER: STAINLESS STEEL.
CONTACTS: COPPER ALLOY.
 - △ FINISH:
UNDERPLATE: 1.27um MIN. NICKEL ALL OVER.
ENGAGEMENT AREA: SEE P/N LIST
SOLDERING AREA: 2.54um MIN. MATTE TIN
 - △ DATUM AND BASIC DIMENSION ESTABLISHED BY CUSTOMER.
 - 4. DESIGNED FOR A 1.00 MIN THICK PC BOARD.
 - △ RECOMMENDED COMPONENT KEEP OUT AREA.
 - △ TE CONNECTIVITY LOGO MARKED IN APPROXIMATE AREA SHOWN.
 - △ PART NUMBER AND DATE CODE MARKED IN APPROXIMATE AREA SHOWN.
 - PACKAGE OPTION : TAPE & REEL, TUBE.



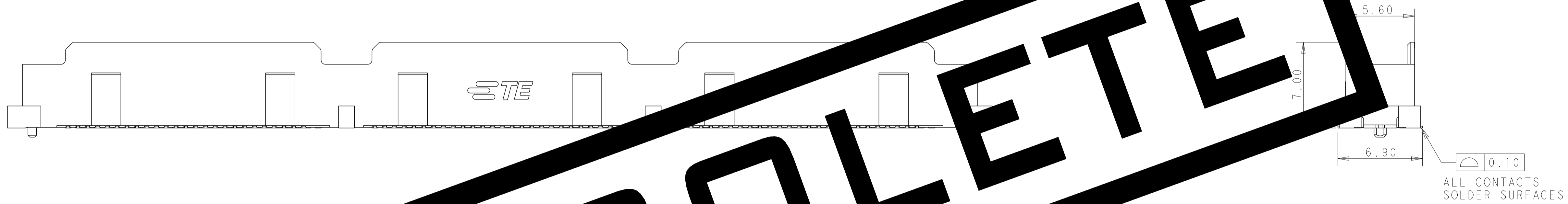
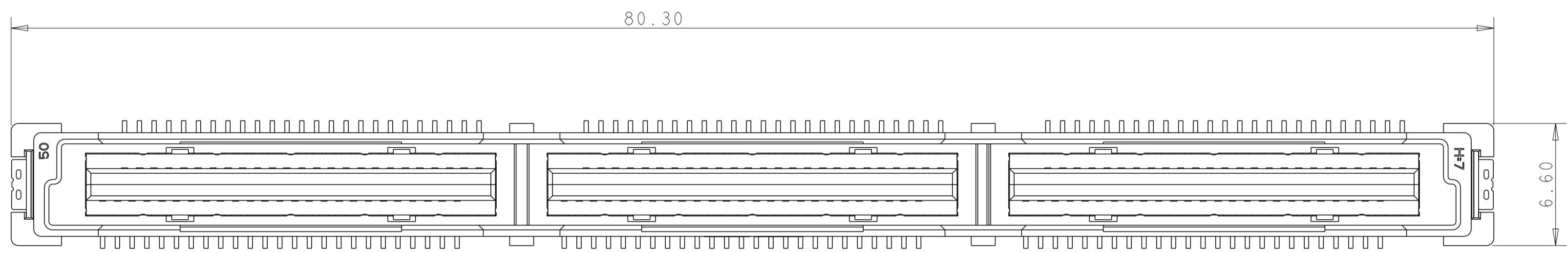
OBSOLETE



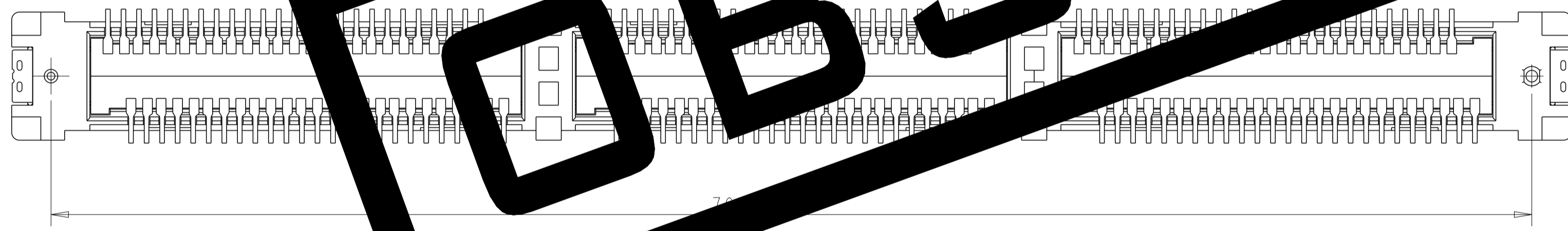
50PINS 7H PLUG CONNECTOR WITH COVER

THIS DRAWING IS A CONTROLLED DOCUMENT.		DWN: ART.LIN 10JUL2018	STC TE Connectivity	
DIMENSIONS: mm		CHK: -		
TOLERANCES UNLESS OTHERWISE SPECIFIED:		APVD: -	NAME: FH+ BTB FAMILY	
0 PLC ±0.2		PRODUCT SPEC: 108-115138		
1 PLC ±0.15		APPLICATION SPEC: 114-115019		
2 PLC ±0.050		SIZE: A1		
3 PLC ±0.0050		CAGE CODE: 2316375		
4 PLC ±0.0050		DRAWING NO: 2316375		
ANGLES ±2°		RESTRICTED TO: -		
MATERIAL: 1		WEIGHT: -		
FINISH: 2		CUSTOMER DRAWING		
		SCALE: 5:1		
		SHEET 1 OF 5		
		REV 6		

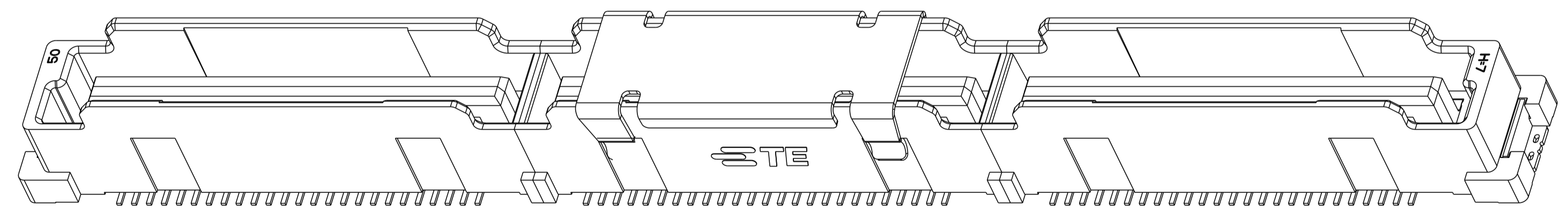
REVISIONS				
P.	LTN.	DESCRIPTION	DATE	APVD.
-	-	SEE SHEET 1	-	-



OBSELETE



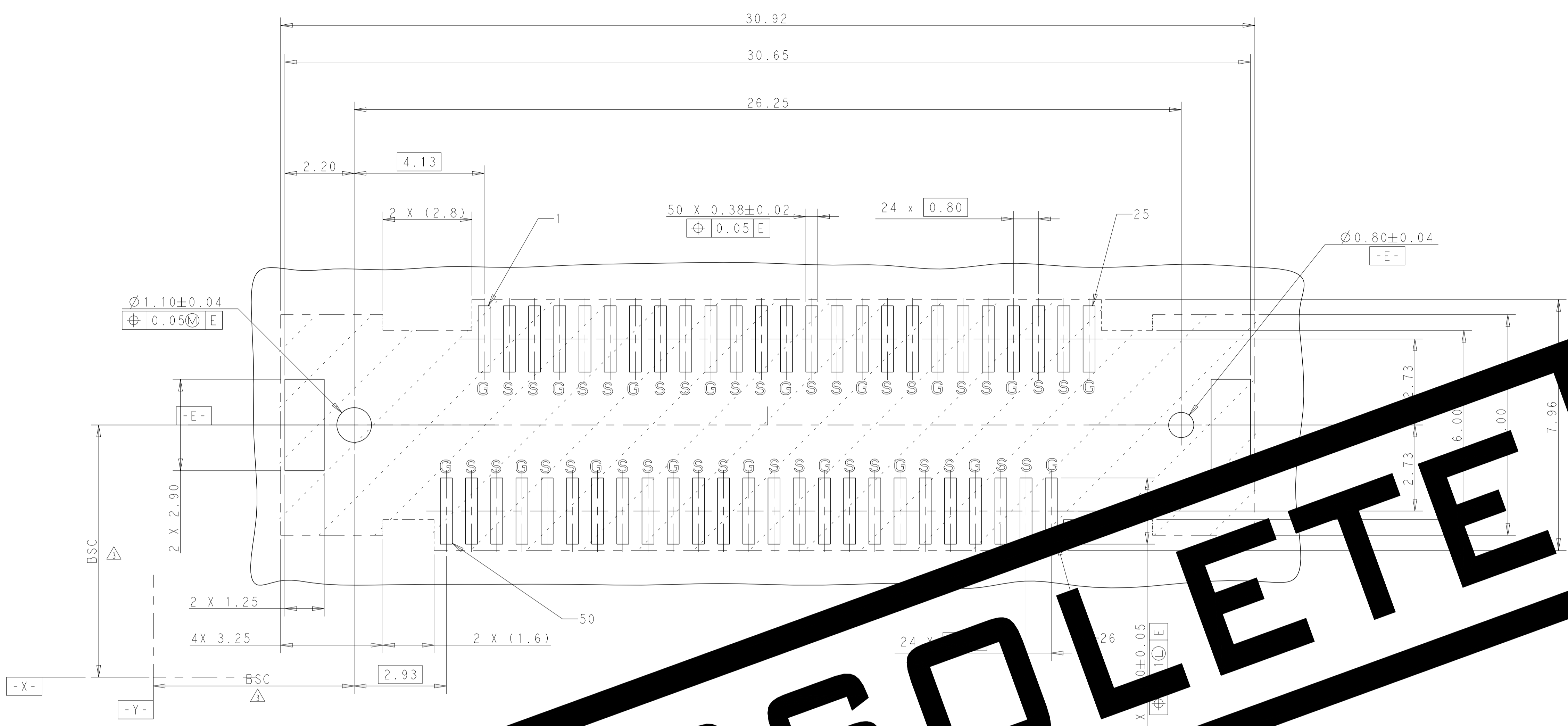
ALL THE OTHER DIMENSIONS ARE SAME WITH 50PINS CONNECTOR



SCALE 5:1
 150PINS 7H PLUG CONNECTOR WITH COVER

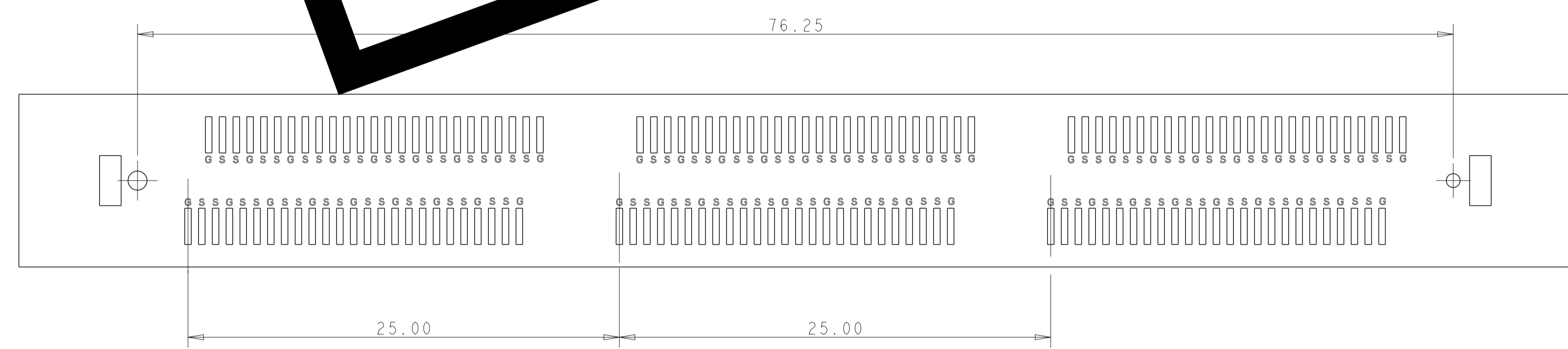
THIS DRAWING IS A CONTROLLED DOCUMENT.		DWN: ART.LIN 10JUL2018		
DIMENSIONS: mm		CHK: -		
TOLERANCES UNLESS OTHERWISE SPECIFIED: 0 PLC ±0.2 1 PLC ±0.15 2 PLC ±0.15 3 PLC ±0.050 4 PLC ±0.0050 ANGLES ±2° FINISH		APVD: -	NAME: FH+ BTB FAMILY	
MATERIAL: -		PRODUCT SPEC: 108-115138	APPLICATION SPEC: 7MM HEIGHT PLUG CONNECTOR	
FINISH: -		SIZE: 114-115019	RESTRICTED TO: -	
CUSTOMER DRAWING		WEIGHT: -	SCALE: 5:1 SHEET 2 OF 5 REV 6	

REVISIONS				
P	LTN	DESCRIPTION	DATE	APVD
-	-	SEE SHEET 1	-	-



OBSOLETE

RECOMMENDED BY LAYOUT AND KEEP OUT AREA FOR 50PINS
 SIGNAL GROUND

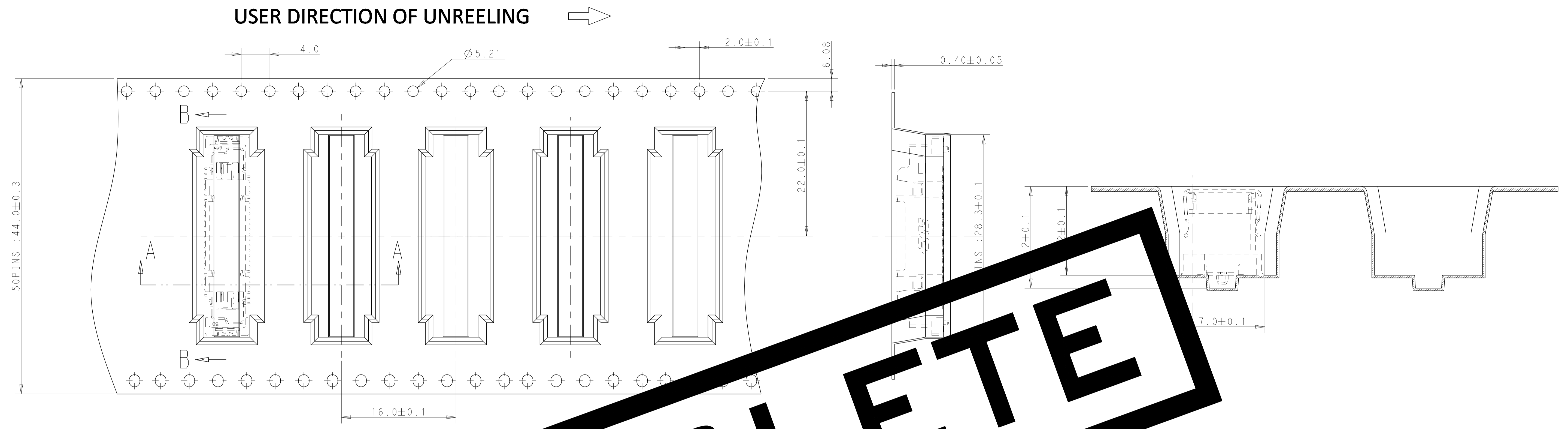


NOTE:
 9. STENCIL THICKNESS: 0.10MM MIN.

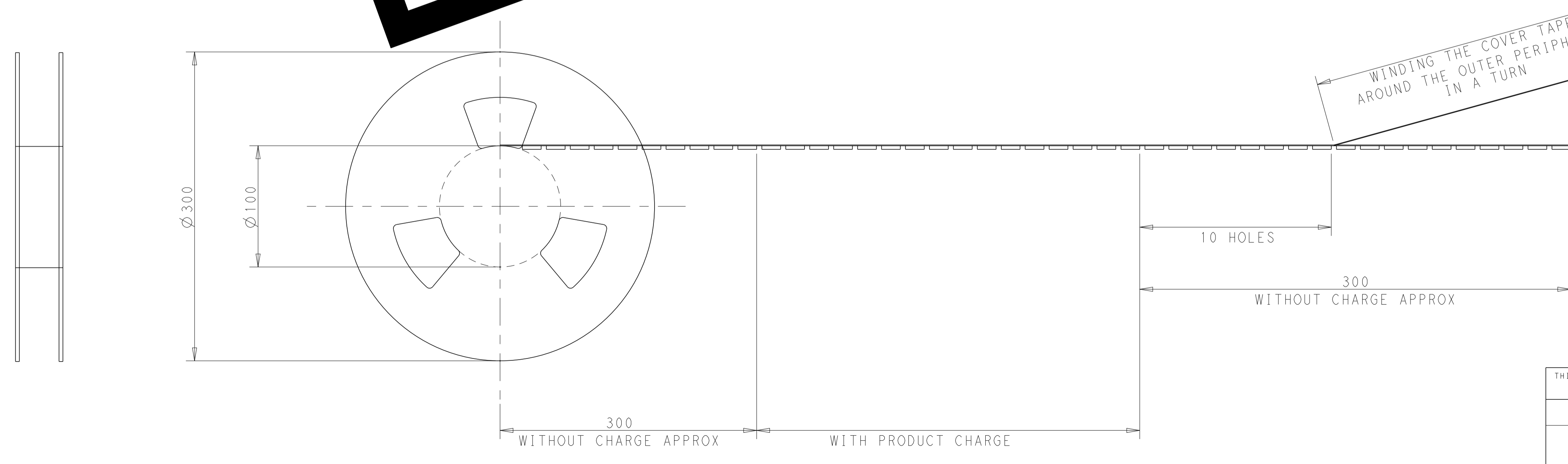
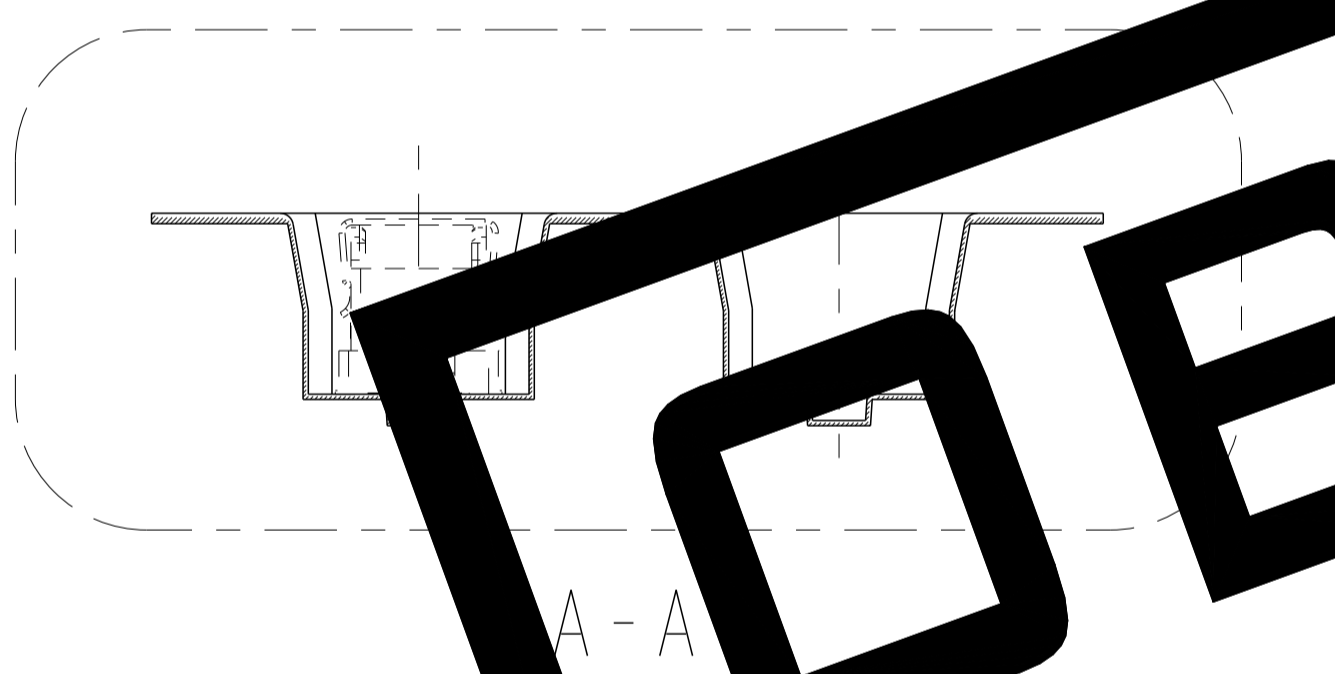
SCALE 5:1
 RECOMMENDED PCB LAYOUT FOR 150PINS
 THE OTHER DIMENSIONS ARE SAME WITH 50PINS

THIS DRAWING IS A CONTROLLED DOCUMENT.		DWN ART.LIN	10JUL2018	STE TE Connectivity	
DIMENSIONS:		CHK	APVD		
mm	0 PLC ±0.2 1 PLC ±0.15 2 PLC ±0.050 3 PLC ±0.0050 4 PLC ±0.0050 ANGLES ±2°	TOLERANCES UNLESS OTHERWISE SPECIFIED:		NAME FH+ BTB FAMILY	RESTRICTED TO
MATERIAL		FINISH		PRODUCT SPEC 108-115138	
-		-		APPLICATION SPEC 114-115019	SIZE A100779
-		-		WEIGHT	CAGE CODE C=2316375
-		-		CUSTOMER DRAWING	SCALE 5:1 SHEET 3 OF 5 REV 6

REVISIONS				
P	LTN	DESCRIPTION	DATE	APVD
-	-	SEE SHEET 1	-	-



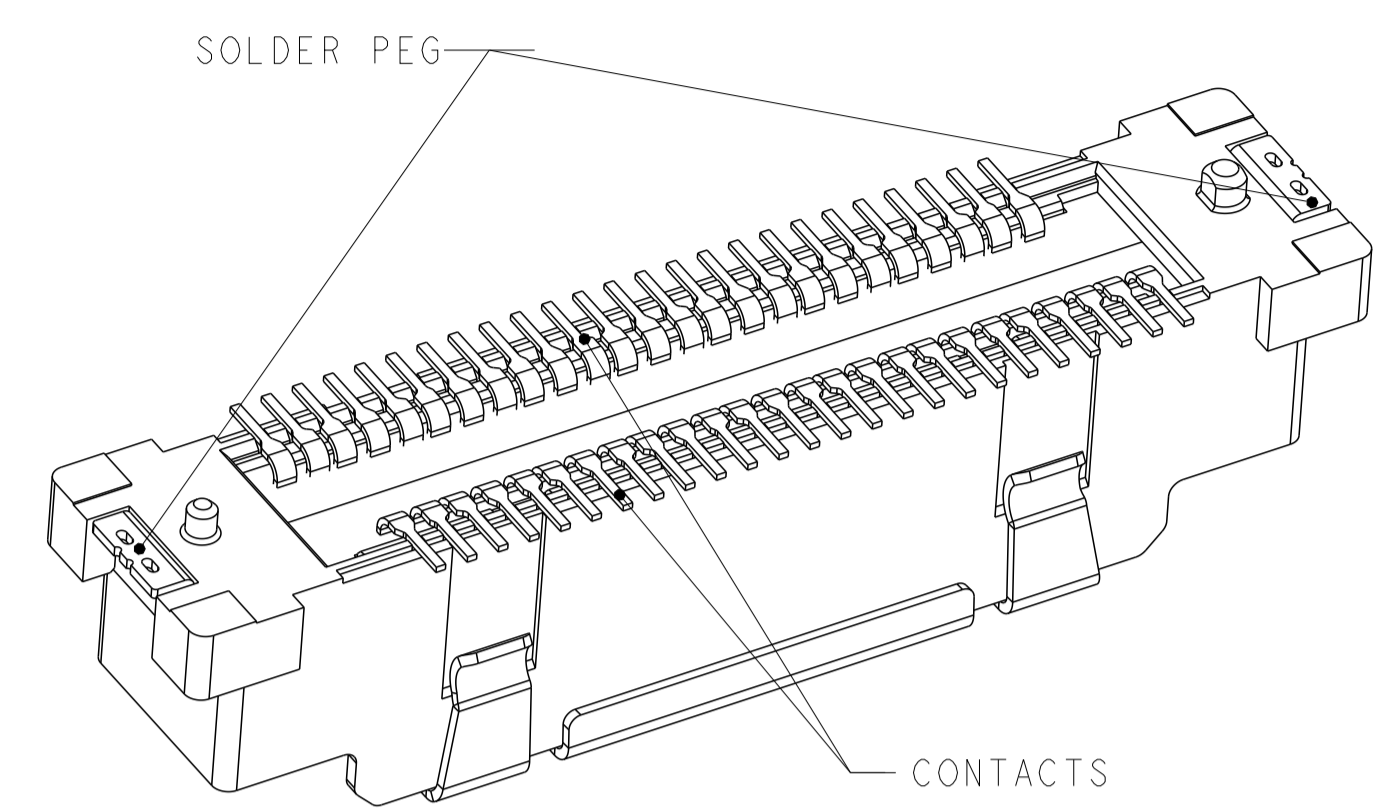
OBSELETE



NOTE:
10. 560 PCS / REEL

THIS DRAWING IS A CONTROLLED DOCUMENT.		DWN	ART.LIN	10JUL2018
DIMENSIONS:		CHK	-	-
mm	0 PLC ±0.2	APVD	-	-
	1 PLC ±0.15	PRODUCT SPEC		
	2 PLC ±0.15	108-115138		
	3 PLC ±0.050	APPLICATION SPEC		
	4 PLC ±0.0050	SIZE	CAGE CODE	DRAWING NO
	ANGLES ±2°	114-115019	-	-
MATERIAL	FINISH	WEIGHT	A100779C=2316375	
-	-	-	CUSTOMER DRAWING	
SCALE		5:1	SHEET	4 OF 5
REV		6		

REVISIONS				
P. LTH	DESCRIPTION	DATE	DWN	APVD
-	SEE SHEET 1	-	-	-

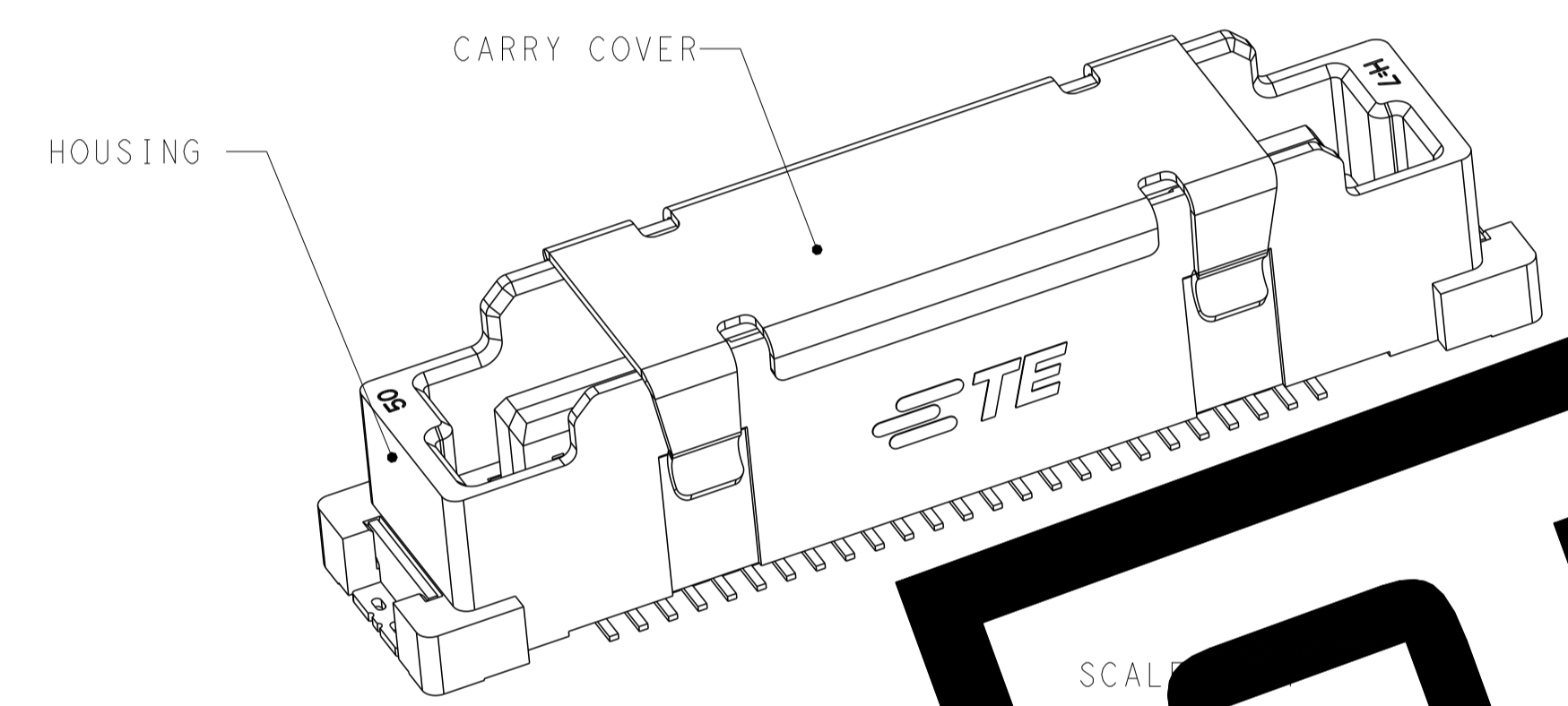


SCALE 6:1

PART NO : X-2316375-X

- BLANK: 30u" Au PLATED & TAPE AND REEL
- 1: 30u" Au PLATED & TUBE
- 2: 8u" Au PLATED & TAPE AND REEL
- 3: 8u" Au PLATED & TUBE
- 4: FLASH GOLD Au PLATED & TAPE AND REEL
- 5: FLASH GOLD PLATED & TUBE
- 6: RESERVED
- 7: RESERVED
- 8: RESERVED
- 9: RESERVED

- 1: 50POS & WITH CARRY COVER
- 2: 50POS & WITHOUT CARRY COVER
- 3: 100POS & WITH CARRY COVER
- 4: 100POS & WITHOUT CARRY COVER
- 5: 150POS & WITH CARRY COVER
- 6: 150POS & WITHOUT CARRY COVER
- 7: RESERVED
- 8: RESERVED
- 9: RESERVED

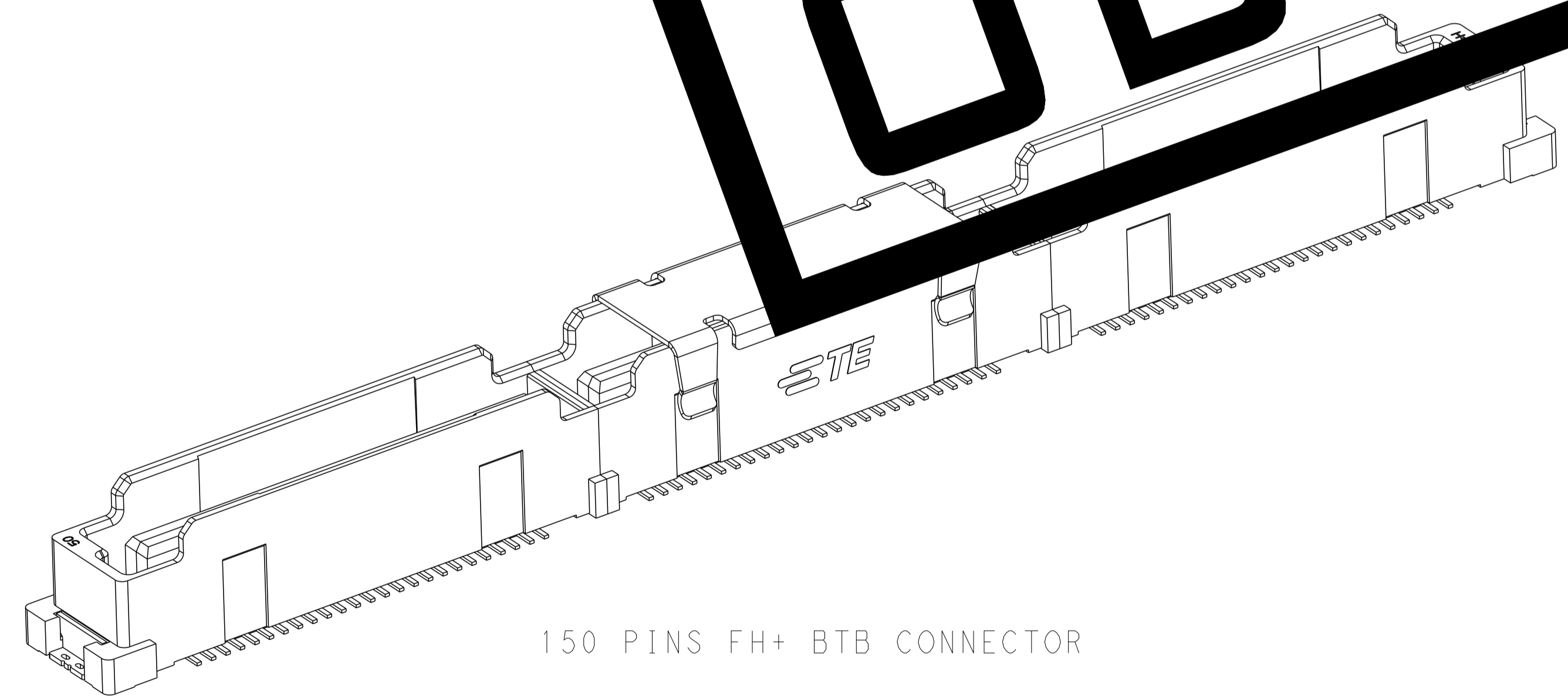


SCALE

OBSELETE

TABLE P/N LIST

ASSY P/N	PACKAGE TYPE	CARRY COVER	PLATING Au TYPE
2316375-1	TAPE & REEL	YES	30u"
2316375-2	TAPE & REEL	NO	
1-2316375-1	TUBE	YES	8u"
1-2316375-2	TUBE	NO	
2-2316375-1	TAPE & REEL	YES	
2-2316375-2	TAPE & REEL	NO	
3-2316375-1	TUBE	YES	FLASH GOLD
3-2316375-2	TUBE	NO	
4-2316375-1	TAPE & REEL	YES	
4-2316375-2	TAPE & REEL	NO	
5-2316375-1	TUBE	YES	
5-2316375-2	TUBE	NO	



150 PINS FH+ BTB CONNECTOR

THIS DRAWING IS A CONTROLLED DOCUMENT. DWN: ART.LIN 10JUL2018

CHK: -

APVD: -

NAME: FH+ BTB FAMILY

PRODUCT SPEC: -

APPLICATION SPEC: 108-115138

SIZE: 114-115019

RESTRICTED TO: -

MATERIAL: -

FINISH: -

WEIGHT: -

CUSTOMER DRAWING

SCALE: 5:1

SHEET: 5 OF 5

REV: 6

STE TE Connectivity

7MM HEIGHT PLUG CONNECTOR

A100779C=2316375