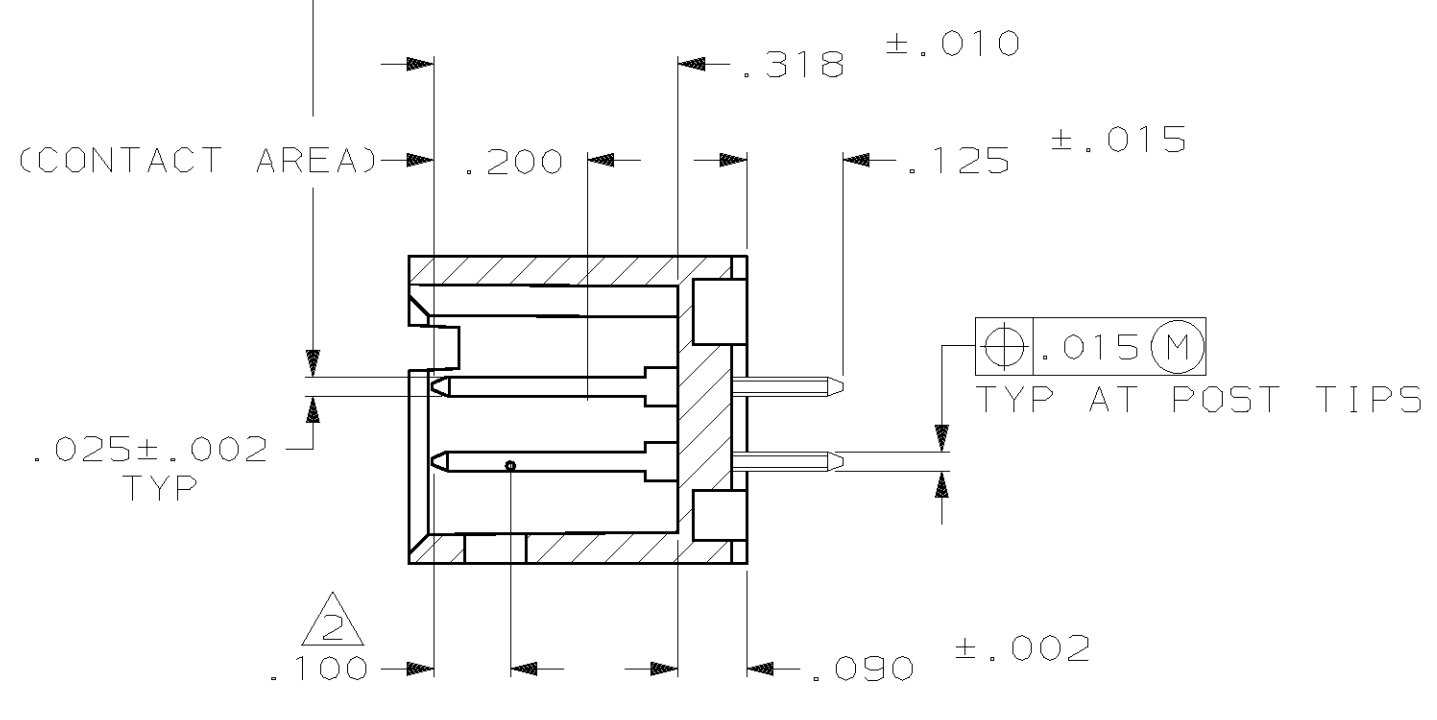
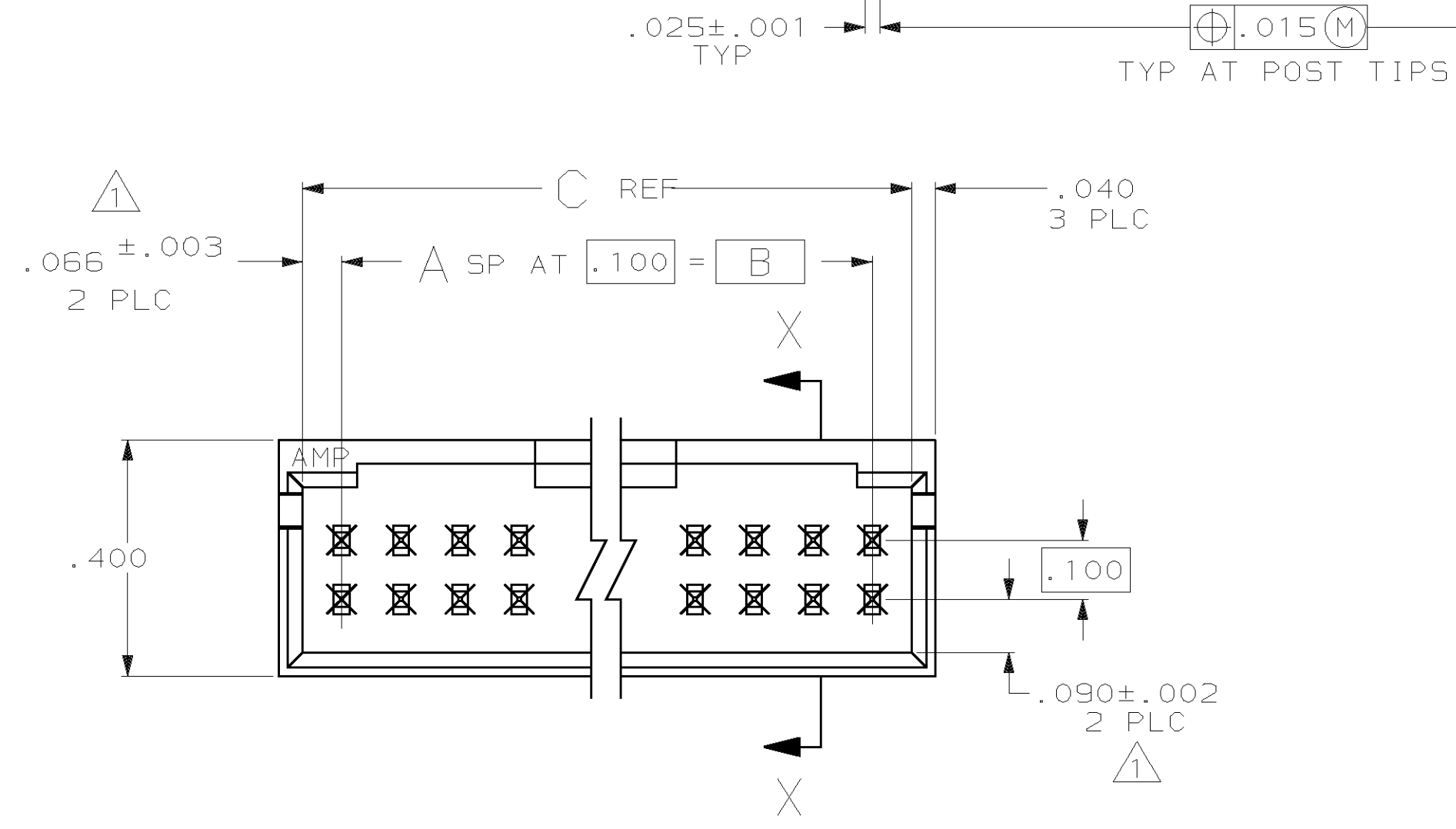
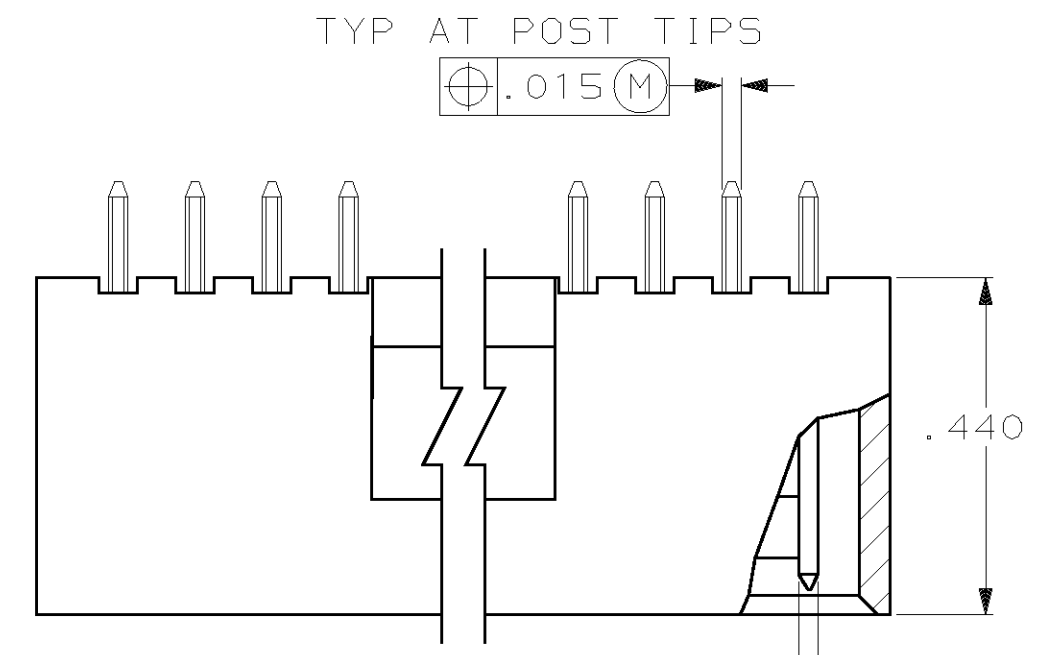
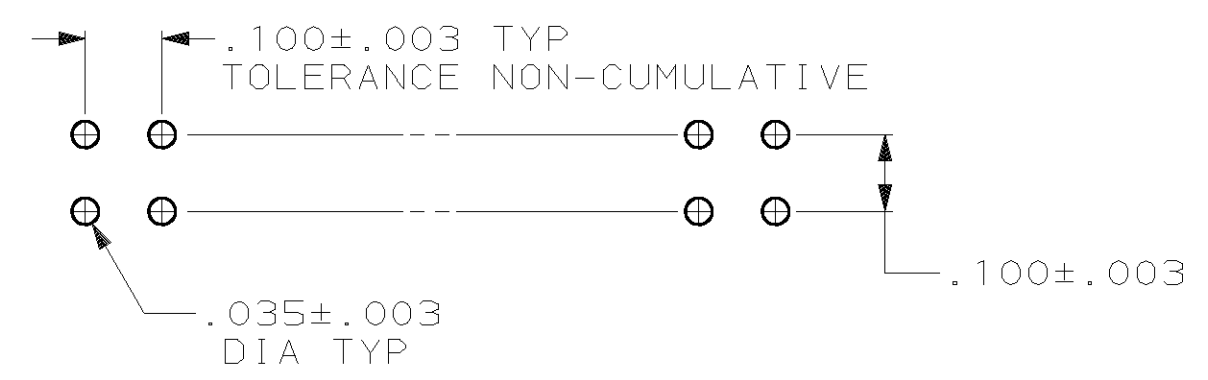
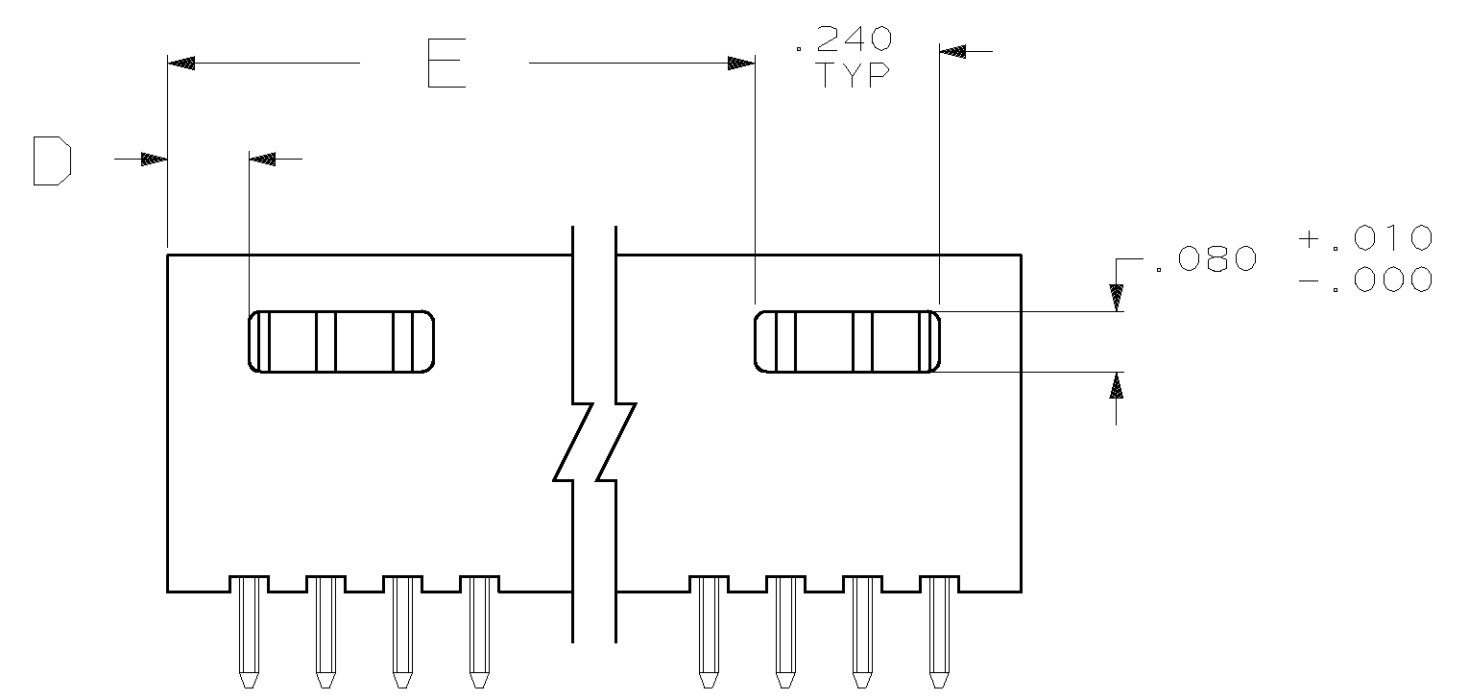


⚠ THE NOTED DIMENSIONS APPLY AT THE INTERSECTION OF THE POST AND HOUSING
 ② POINT OF MEASUREMENT FOR PLATING THICKNESS
 ③ OBSOLETE PART NUMBER

LOC AD		DIST 39		REVISONS		
P	F	ZONE	LTR	DESCRIPTION	DATE	APPD
		A		REV&REDRAWN ECN 1642	-	-
		B		REV PER ECN AR2295	4/14/89	KIH
		C		REV LOC & DIST AD-4171	3-90	BF
		D		ECN AD-4707	08/02/90	KIH
		E		REREL -30	11/07/90	KIH
		F		REV. PER ECN.0010-0051-95 TH	3/16/95	JK
		G		REV PER 0310-0146-96	2-27-97	SAS
		H		REV PER 0310-0428-97	15-JUN-98	SAS



SECTION X-X



RECOMMENDED HOLE LAYOUT

3.506	.106	3.732	3.600	36	74	3-103168-5
3.406	.106	3.632	3.500	35	72	3-103168-4
3.306	.106	3.532	3.400	34	70	3-103168-3
3.206	.106	3.432	3.300	33	68	3-103168-2
3.106	.106	3.332	3.200	32	66	3-103168-1
3.006	.106	3.232	3.100	31	64	3-103168-0
2.906	.106	3.132	3.000	30	62	2-103168-9
2.806	.106	3.032	2.900	29	60	2-103168-8
2.706	.106	2.932	2.800	28	58	2-103168-7
2.606	.106	2.832	2.700	27	56	2-103168-6
2.506	.106	2.732	2.600	26	54	2-103168-5
2.406	.106	2.632	2.500	25	52	2-103168-4
2.306	.106	2.532	2.400	24	50	2-103168-3
2.206	.106	2.432	2.300	23	48	2-103168-2
2.106	.106	2.332	2.200	22	46	2-103168-1
2.006	.106	2.232	2.100	21	44	2-103168-0
1.906	.106	2.132	2.000	20	42	1-103168-9
1.806	.106	2.032	1.900	19	40	1-103168-8
1.706	.106	1.932	1.800	18	38	1-103168-7
1.606	.106	1.832	1.700	17	36	1-103168-6
1.506	.106	1.732	1.600	16	34	1-103168-5
1.406	.106	1.632	1.500	15	32	1-103168-4
1.306	.106	1.532	1.400	14	30	1-103168-3
1.206	.106	1.432	1.300	13	28	1-103168-2
1.106	.106	1.332	1.200	12	26	1-103168-1
1.006	.106	1.232	1.100	11	24	1-103168-0
.906	.106	1.132	1.000	10	22	103168-9
.806	.106	1.032	.900	9	20	103168-8
---	.406	.932	.800	8	18	103168-7
---	.306	.832	.700	7	16	103168-6
---	.306	.732	.600	6	14	103168-5
---	.206	.632	.500	5	12	103168-4
---	.206	.532	.400	4	10	103168-3
---	.106	.432	.300	3	8	103168-2
---	.106	.332	.200	2	6	103168-1
E	D	C	B	A	NO OF POSN	ASSEMBLY PART NUMBER

UNLESS OTHERWISE SPECIFIED DIMENSIONS ARE IN INCHES TOLERANCES ON:	DR 9-4-87 H.MOLL	AMP INCORPORATED Harrisburg, Pa. 17105
2 PL DEC ± .001 3 PL DEC ± .005 ANGLES ±	CHK 9-4-87 MAYER	
MATERIAL: HOUSING: FLAME RETARDANT THERMOPLASTIC, COLOR-BLACK	APPD 9-9-87 R. FEIDT	NAME HDR ASSY, MOD II, SHROUDED, 4 SIDES, DBL ROW, VERTICAL, .100X.100, WITH .025 SQ POSTS
POSTS: PHOS BRONZE FINISH: POSTS: .000030 GOLD IN CONTACT AREA, .000100-.000200 MATTE TIN- LEAD ON SOLDER TAIL, ALL OVER .000050 NICKEL	PRODUCT SPEC -	SIZE D
	APPLICATION SPEC -	FSCM NO 00779
	WEIGHT -	DRAWING NO 103168
		SCALE 4:1
		SHEET 1 OF 1