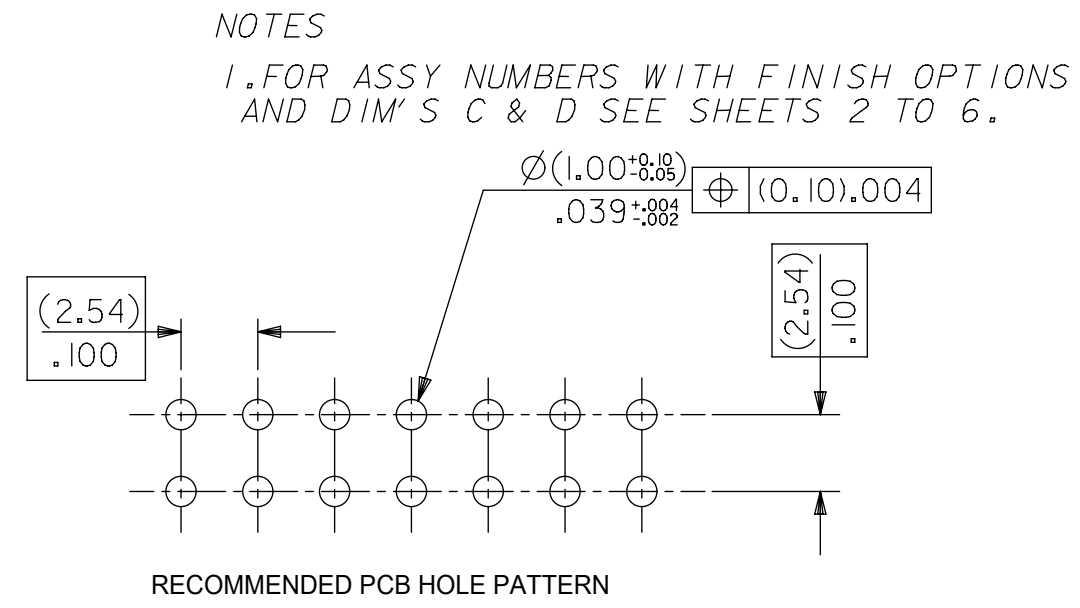
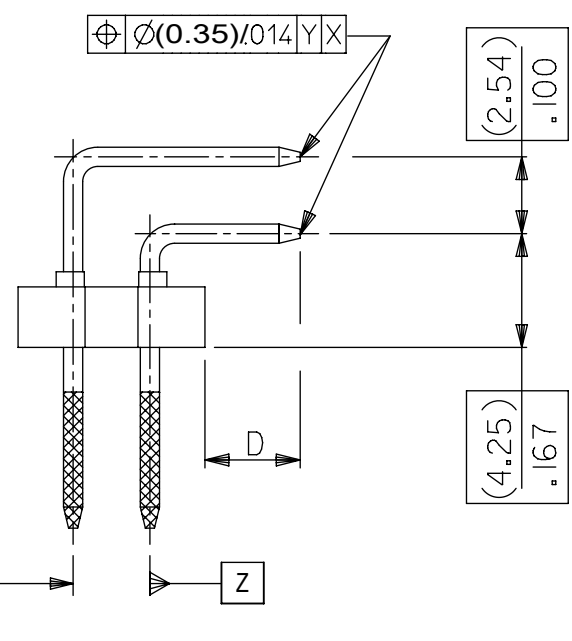
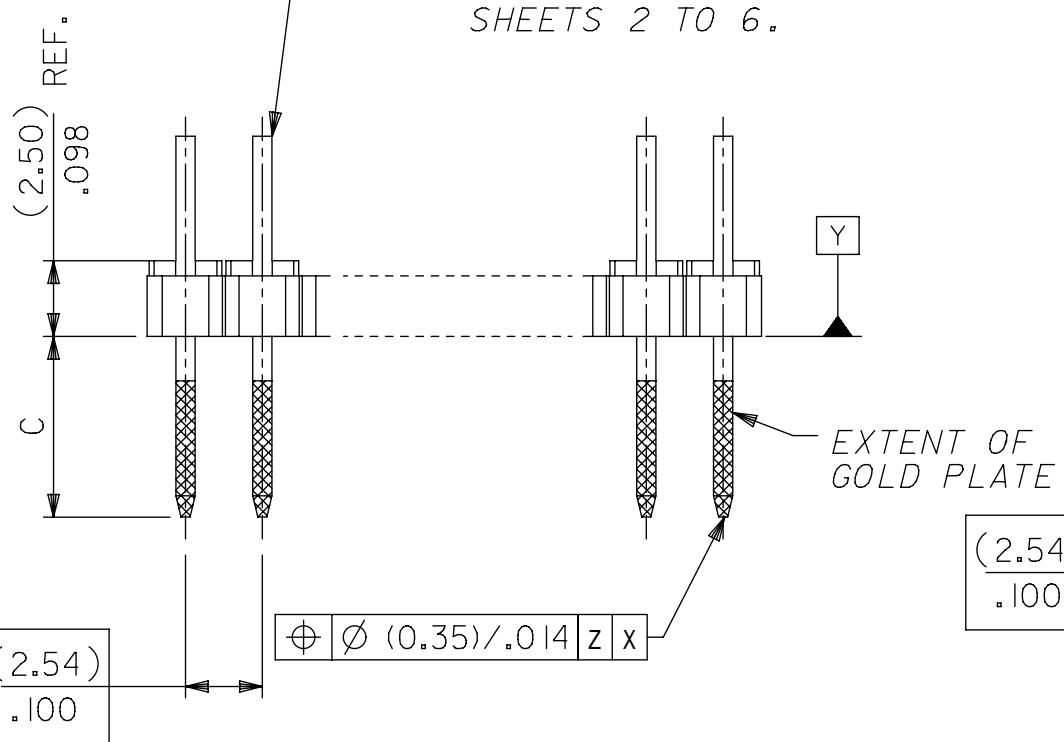


WAFER: 15% GLASS FILLED POLYESTER TO UL 94V-0. COLOUR: BLACK.

PINS: (0.650)/.0255 SQ. BRASS WIRE. PLATED AS PER SHEETS 2 TO 6.



NOTES
1. FOR ASSY NUMBERS WITH FINISH OPTIONS AND DIM'S C & D SEE SHEETS 2 TO 6.

CKT SIZE	DIM. "A"		DIM. "B" $(\begin{smallmatrix} +0.20 \\ -0.35 \\ +0.008 \\ -0.014 \end{smallmatrix})$		CKT SIZE	DIM. "A"		DIM. "B" $(\begin{smallmatrix} \pm 0.20 \\ \pm .008 \end{smallmatrix})$	
2X 1	—		(2.54)	.100	2X21	(50.80)	2.000	(53.34)	2.100
2X 2	(2.54)	.100	(5.08)	.200	2X22	(53.34)	2.100	(55.88)	2.200
2X 3	(5.08)	.200	(7.62)	.300	2X23	(55.88)	2.200	(58.42)	2.300
2X 4	(7.62)	.300	(10.16)	.400	2X24	(58.42)	2.300	(60.96)	2.400
2X 5	(10.16)	.400	(12.70)	.500	2X25	(60.96)	2.400	(63.50)	2.500
2X 6	(12.70)	.500	(15.24)	.600	2X26	(63.50)	2.500	(66.04)	2.600
2X 7	(15.24)	.600	(17.78)	.700	2X27	(66.04)	2.600	(68.58)	2.700
2X 8	(17.78)	.700	(20.32)	.800	2X28	(68.58)	2.700	(71.12)	2.800
2X 9	(20.32)	.800	(22.86)	.900	2X29	(71.12)	2.800	(73.66)	2.900
2X10	(22.86)	.900	(25.40)	1.000	2X30	(73.66)	2.900	(76.20)	3.000
2X11	(25.40)	1.000	(27.94)	1.100	2X31	(76.20)	3.000	(78.74)	3.100
2X12	(27.94)	1.100	(30.48)	1.200	2X32	(78.74)	3.100	(81.28)	3.200
2X13	(30.48)	1.200	(33.02)	1.300	2X33	(81.28)	3.200	(83.82)	3.300
2X14	(33.02)	1.300	(35.56)	1.400	2X34	(83.82)	3.300	(86.36)	3.400
2X15	(35.56)	1.400	(38.10)	1.500	2X35	(86.36)	3.400	(88.90)	3.500
2X16	(38.10)	1.500	(40.64)	1.600	2X36	(88.90)	3.500	(91.44)	3.600
2X17	(40.64)	1.600	(43.18)	1.700	2X37	(91.44)	3.600	(93.98)	3.700
2X18	(43.18)	1.700	(45.72)	1.800	2X38	(93.98)	3.700	(96.52)	3.800
2X19	(45.72)	1.800	(48.26)	1.900	2X39	(96.52)	3.800	(99.06)	3.900
2X20	(48.26)	1.900	(50.80)	2.000	2X40	(99.06)	3.900	(101.60)	4.000

NOTES
2. RECOMMENDED PCB THICKNESS: 1.6MM
3. PRODUCT SPECIFICATION: PS-99020-0001

THIS DRAWING CONTAINS INFORMATION THAT IS PROPRIETARY TO MOLEX ELECTRONIC TECHNOLOGIES, LLC AND SHOULD NOT BE USED WITHOUT WRITTEN PERMISSION									
DIMENSION UNITS		SCALE		CURRENT REV DESC: MIGRATED				molex	
mm		NTS							
GENERAL TOLERANCES (UNLESS SPECIFIED)				EC NO: 615440		C-GRID III		DUAL ROW RIGHT ANGLE HEADER	
4 PLACES		±	±	DRWN: MKP 2019/04/11		PRODUCT CUSTOMER DRAWING			
3 PLACES		±	±	CHK'D: NMANE02 2019/04/12		DOCUMENT NUMBER		DOC TYPE	DOC PART
2 PLACES		± 0.05	± 0.002	APPR: MRAMAKRISHNA 2019/04/12		SDA-90122		PSD	001
1 PLACE		±	±	INITIAL REVISION:		16/07/87		M3	
0 PLACES		±	±	DRWN: DB		1987/07/16			
ANGULAR TOL		±	°	APPR: DB					
DRAFT WHERE APPLICABLE MUST REMAIN WITHIN DIMENSIONS				THIRD ANGLE PROJECTION		DRAWING		SHEET NUMBER	
				A3-SIZE		90122		1 OF 6	

	10	9	8	7	6	5	4	3	2	1
F		CIRCUIT SIZE	PLATING TYPE A PART NO.	PLATING TYPE E PART NO.	PLATING TYPE F PART NO.					
		2 X 1	90122-0121	90122-0761	90122-0921					
		2 X 2	▲ -0122	▲ -0762	▲ -0922					
		2 X 3	-0123	-0763	-0923					
		2 X 4	-0124	-0764	-0924					
		2 X 5	-0125	-0765	-0925					
		2 X 6	-0126	-0766	-0926					
		2 X 7	-0127	-0767	-0927					
		2 X 8	-0128	-0768	-0928					
		2 X 9	-0129	-0769	-0929					
E		2 X 10	-0130	-0770	-0930					
		2 X 11	-0131	-0771	-0931					
		2 X 12	-0132	-0772	-0932					
		2 X 13	-0133	-0773	-0933					
		2 X 14	-0134	-0774	-0934					
		2 X 15	-0135	-0775	-0935					
		2 X 16	-0136	-0776	-0936					
		2 X 17	-0137	-0777	-0937					
		2 X 18	-0138	-0778	-0938					
		2 X 19	-0139	-0779	-0939					
		2 X 20	-0140	-0780	-0940					
D		2 X 21	-0141	-0781	-0941					
		2 X 22	-0142	-0782	-0942					
		2 X 23	-0143	-0783	-0943					
		2 X 24	-0144	-0784	-0944					
		2 X 25	-0145	-0785	-0945					
		2 X 26	-0146	-0786	-0946					
		2 X 27	-0147	-0787	-0947					
		2 X 28	-0148	-0788	-0948					
		2 X 29	-0149	-0789	-0949					
		2 X 30	-0150	-0790	-0950					
		2 X 31	-0151	-0791	-0951					
		2 X 32	-0152	-0792	-0952					
		2 X 33	-0153	-0793	-0953					
		2 X 34	-0154	-0794	-0954					
		2 X 35	-0155	-0795	-0955					
		2 X 36	-0156	-0796	-0956					
		2 X 37	-0157	-0797	-0957					
		2 X 38	-0158	-0798	-0958					
		2 X 39	▼ -0159	▼ -0799	▼ -0959					
		2 X 40	90122-0160	90122-0800	90122-0960					

DIM C (± 0.20) ± .008 (6.75) .266

DIM D (± 0.25) ± .010 (2.90) .114

NOTES:
FOR PLATING VARIATIONS SEE
ENG.STD. SDES-99000-0003.

THIS DRAWING CONTAINS INFORMATION THAT IS PROPRIETARY TO MOLEX ELECTRONIC TECHNOLOGIES, LLC AND SHOULD NOT BE USED WITHOUT WRITTEN PERMISSION									
DIMENSION UNITS		SCALE		CURRENT REV DESC: MIGRATED				molex	
mm		NTS							
GENERAL TOLERANCES (UNLESS SPECIFIED)				EC NO: 615440		2019/04/11		C-GRID III	
4 PLACES ±		±		DRWN: MKP		2019/04/12		DUAL ROW RIGHT ANGLE HEADER	
3 PLACES ±		±		CHK'D: NMANE02		2019/04/12			
2 PLACES ±		0.05 ± 0.002		APPR: MRAMAKRISHNA		2019/04/12		PRODUCT CUSTOMER DRAWING	
1 PLACE ±		±		INITIAL REVISION:				DOCUMENT NUMBER	
0 PLACES ±		±		DRWN: DB		16/07/87		SDA-90122	
ANGULAR TOL ± °		± °		APPR: DB		1987/07/16		PSD 001 M3	
DRAFT WHERE APPLICABLE MUST REMAIN WITHIN DIMENSIONS			THIRD ANGLE PROJECTION		DRAWING		SERIES		SHEET NUMBER
					A3-SIZE		90122		2 OF 6

10		9		8		7		6		5		4		3		2		1		
		CIRCUIT SIZE	PLATING TYPE A PART NO.		PLATING TYPE E PART NO.		PLATING TYPE F PART NO.				CIRCUIT SIZE		PLATING TYPE A PART NO.		PLATING TYPE E PART NO.		PLATING TYPE F PART NO.			
		2 X 1	90122-0041		90122-0681		90122-0841				2 X 1		90122-0081		90122-0721		90122-0881			
		2 X 2	▲ -0042		▲ -0682		▲ -0842				2 X 2		▲ -0082		▲ -0722		▲ -0882			
		2 X 3	-0043		-0683		-0843				2 X 3		-0083		-0723		-0883			
		2 X 4	-0044		-0684		-0844				2 X 4		-0084		-0724		-0884			
		2 X 5	-0045		-0685		-0845				2 X 5		-0085		-0725		-0885			
		2 X 6	-0046		-0686		-0846				2 X 6		-0086		-0726		-0886			
		2 X 7	-0047		-0687		-0847				2 X 7		-0087		-0727		-0887			
		2 X 8	-0048		-0688		-0848				2 X 8		-0088		-0728		-0888			
		2 X 9	-0049		-0689		-0849				2 X 9		-0089		-0729		-0889			
		2 X 10	-0050		-0690		-0850				2 X 10		-0090		-0730		-0890			
		2 X 11	-0051		-0691		-0851				2 X 11		-0091		-0731		-0891			
		2 X 12	-0052		-0692		-0852				2 X 12		-0092		-0732		-0892			
		2 X 13	-0053		-0693		-0853				2 X 13		-0093		-0733		-0893			
		2 X 14	-0054		-0694		-0854				2 X 14		-0094		-0734		-0894			
		2 X 15	-0055		-0695		-0855				2 X 15		-0095		-0735		-0895			
		2 X 16	-0056		-0696		-0856				2 X 16		-0096		-0736		-0896			
		2 X 17	-0057		-0697		-0857				2 X 17		-0097		-0737		-0897			
		2 X 18	-0058		-0698		-0858				2 X 18		-0098		-0738		-0898			
		2 X 19	-0059		-0699		-0859				2 X 19		-0099		-0739		-0899			
		2 X 20	-0060		-0700		-0860				2 X 20		-0100		-0740		-0900			
		2 X 21	-0061		-0701		-0861				2 X 21		-0101		-0741		-0901			
		2 X 22	-0062		-0702		-0862				2 X 22		-0102		-0742		-0902			
		2 X 23	-0063		-0703		-0863				2 X 23		-0103		-0743		-0903			
		2 X 24	-0064		-0704		-0864				2 X 24		-0104		-0744		-0904			
		2 X 25	-0065		-0705		-0865				2 X 25		-0105		-0745		-0905			
		2 X 26	-0066		-0706		-0866				2 X 26		-0106		-0746		-0906			
		2 X 27	-0067		-0707		-0867				2 X 27		-0107		-0747		-0907			
		2 X 28	-0068		-0708		-0868				2 X 28		-0108		-0748		-0908			
		2 X 29	-0069		-0709		-0869				2 X 29		-0109		-0749		-0909			
		2 X 30	-0070		-0710		-0870				2 X 30		-0110		-0750		-0910			
		2 X 31	-0071		-0711		-0871				2 X 31		-0111		-0751		-0911			
		2 X 32	-0072		-0712		-0872				2 X 32		-0112		-0752		-0912			
		2 X 33	-0073		-0713		-0873				2 X 33		-0113		-0753		-0913			
		2 X 34	-0074		-0714		-0874				2 X 34		-0114		-0754		-0914			
		2 X 35	-0075		-0715		-0875				2 X 35		-0115		-0755		-0915			
		2 X 36	-0076		-0716		-0876				2 X 36		-0116		-0756		-0916			
		2 X 37	-0077		-0717		-0877				2 X 37		-0117		-0757		-0917			
		2 X 38	-0078		-0718		-0878				2 X 38		-0118		-0758		-0918			
		2 X 39	▼ -0079		▼ -0719		▼ -0879				2 X 39		▼ -0119		▼ -0759		▼ -0919			
		2 X 40	90122-0080		90122-0720		90122-0880				2 X 40		90122-0120		90122-0760		90122-0920			


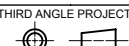
DIM C (±0.20) ±.008 (5.75) .226

DIM D (±0.25) ±.010 (2.90) .114

DIM C (±0.20) ±.008 (5.75) .226

DIM D (±0.25) ±.010 (4.50) .177

NOTES:
FOR PLATING VARIATIONS SEE
ENG.STD. SDES-99000-0003.

THIS DRAWING CONTAINS INFORMATION THAT IS PROPRIETARY TO MOLEX ELECTRONIC TECHNOLOGIES, LLC AND SHOULD NOT BE USED WITHOUT WRITTEN PERMISSION													
DIMENSION UNITS		SCALE		CURRENT REV DESC: MIGRATED									
mm		NTS											
GENERAL TOLERANCES (UNLESS SPECIFIED)				MM		INCH		EC NO: 615440				C-GRID III	
4 PLACES ±				±		±		DRWN: MKP 2019/04/11				DUAL ROW RIGHT ANGLE HEADER	
3 PLACES ±				±		±		CHK'D: NMANE02 2019/04/12					
2 PLACES ± 0.05				± 0.002		± 0.002		APPR: MRAMAKRISHNA 2019/04/12				PRODUCT CUSTOMER DRAWING	
1 PLACE ±				±		±		INITIAL REVISION:				DOCUMENT NUMBER	
0 PLACES ±				±		±		DRWN: DB 16/07/87				SDA-90122	
ANGULAR TOL ± °				± °		± °		APPR: DB 1987/07/16				DOC TYPE DOC PART REVISION	
DRAFT WHERE APPLICABLE MUST REMAIN WITHIN DIMENSIONS				THIRD ANGLE PROJECTION		DRAWING		SERIES		MATERIAL NUMBER		CUSTOMER	
						A3-SIZE		90122		SEE TABLE		GENERAL MARKET	
												SHEET NUMBER	
												3 OF 6	

DIM
C (±0.20)
±.008
(6.75)
.266

DIM
D (±0.25)
±.010
(4.50)
.177

CIRCUIT SIZE	PLATING TYPE A PART NO.	PLATING TYPE E PART NO.	PLATING TYPE F PART NO.
2 X 1	90122-0161	90122-0801	90122-0961
2 X 2	▲ -0162	▲ -0802	▲ -0962
2 X 3	-0163	-0803	-0963
2 X 4	-0164	-0804	-0964
2 X 5	-0165	-0805	-0965
2 X 6	-0166	-0806	-0966
2 X 7	-0167	-0807	-0967
2 X 8	-0168	-0808	-0968
2 X 9	-0169	-0809	-0969
2 X 10	-0170	-0810	-0970
2 X 11	-0171	-0811	-0971
2 X 12	-0172	-0812	-0972
2 X 13	-0173	-0813	-0973
2 X 14	-0174	-0814	-0974
2 X 15	-0175	-0815	-0975
2 X 16	-0176	-0816	-0976
2 X 17	-0177	-0817	-0977
2 X 18	-0178	-0818	-0978
2 X 19	-0179	-0819	-0979
2 X 20	-0180	-0820	-0980
2 X 21	-0181	-0821	-0981
2 X 22	-0182	-0822	-0982
2 X 23	-0183	-0823	-0983
2 X 24	-0184	-0824	-0984
2 X 25	-0185	-0825	-0985
2 X 26	-0186	-0826	-0986
2 X 27	-0187	-0827	-0987
2 X 28	-0188	-0828	-0988
2 X 29	-0189	-0829	-0989
2 X 30	-0190	-0830	-0990
2 X 31	-0191	-0831	-0991
2 X 32	-0192	-0832	-0992
2 X 33	-0193	-0833	-0993
2 X 34	-0194	-0834	-0994
2 X 35	-0195	-0835	-0995
2 X 36	-0196	-0836	-0996
2 X 37	-0197	-0837	-0997
2 X 38	-0198	-0838	-0998
2 X 39	▼ -0199	▼ -0839	▼ -0999
2 X 40	90122-0200	90122-0840	90122-1000

NOTES:
FOR PLATING VARIATIONS SEE
ENG.STD. SDES-99000-0003.

THIS DRAWING CONTAINS INFORMATION THAT IS PROPRIETARY TO MOLEX ELECTRONIC TECHNOLOGIES, LLC AND SHOULD NOT BE USED WITHOUT WRITTEN PERMISSION											
DIMENSION UNITS		SCALE		CURRENT REV DESC: MIGRATED						molex	
mm		NTS									
GENERAL TOLERANCES (UNLESS SPECIFIED)				EC NO: 615440		2019/04/11		C-GRID III DUAL ROW RIGHT ANGLE HEADER			
4 PLACES ±		±		DRWN: MKP		2019/04/12					
3 PLACES ±		±		CHK'D: NMANE02		2019/04/12		PRODUCT CUSTOMER DRAWING			
2 PLACES ±		0.05 ± 0.002		APPR: MRAMAKRISHNA		2019/04/12					
1 PLACE ±		±		INITIAL REVISION:				DOCUMENT NUMBER SDA-90122			
0 PLACES ±		±		DRWN: DB		16/07/87					
ANGULAR TOL ± °		± °		APPR: DB		1987/07/16		REVISION M3			
DRAFT WHERE APPLICABLE MUST REMAIN WITHIN DIMENSIONS				THIRD ANGLE PROJECTION 		DRAWING A3-SIZE		SERIES 90122		MATERIAL NUMBER SEE TABLE	
								CUSTOMER GENERAL MARKET		SHEET NUMBER 4 OF 6	

10	9	8	7	6	5	4	3	2	1	
	CIRCUIT SIZE	PLATING TYPE B PART NO.	PLATING TYPE C PART NO.	PLATING TYPE D PART NO.	PLATING TYPE G PART NO.	CIRCUIT SIZE	PLATING TYPE B PART NO.	PLATING TYPE C PART NO.	PLATING TYPE D PART NO.	PLATING TYPE G PART NO.
	2 X 1	90122-0281	90122-0441	90122-0601	90122-1081	2 X 1	90122-0201	90122-0361	90122-0521	90122-1001
	2 X 2	▲ -0282	▲ -0442	▲ -0602	▲ -1082	2 X 2	▲ -0202	▲ -0362	▲ -0522	▲ -1002
	2 X 3	-0283	-0443	-0603	-1083	2 X 3	-0203	-0363	-0523	-1003
	2 X 4	-0284	-0444	-0604	-1084	2 X 4	-0204	-0364	-0524	-1004
	2 X 5	-0285	-0445	-0605	-1085	2 X 5	-0205	-0365	-0525	-1005
	2 X 6	-0286	-0446	-0606	-1086	2 X 6	-0206	-0366	-0526	-1006
	2 X 7	-0287	-0447	-0607	-1087	2 X 7	-0207	-0367	-0527	-1007
	2 X 8	-0288	-0448	-0608	-1088	2 X 8	-0208	-0368	-0528	-1008
	2 X 9	-0289	-0449	-0609	-1089	2 X 9	-0209	-0369	-0529	-1009
	2 X 10	-0290	-0450	-0610	-1090	2 X 10	-0210	-0370	-0530	-1010
	2 X 11	-0291	-0451	-0611	-1091	2 X 11	-0211	-0371	-0531	-1011
	2 X 12	-0292	-0452	-0612	-1092	2 X 12	-0212	-0372	-0532	-1012
	2 X 13	-0293	-0453	-0613	-1093	2 X 13	-0213	-0373	-0533	-1013
	2 X 14	-0294	-0454	-0614	-1094	2 X 14	-0214	-0374	-0534	-1014
	2 X 15	-0295	-0455	-0615	-1095	2 X 15	-0215	-0375	-0535	-1015
	2 X 16	-0296	-0456	-0616	-1096	2 X 16	-0216	-0376	-0536	-1016
	2 X 17	-0297	-0457	-0617	-1097	2 X 17	-0217	-0377	-0537	-1017
	2 X 18	-0298	-0458	-0618	-1098	2 X 18	-0218	-0378	-0538	-1018
	2 X 19	-0299	-0459	-0619	-1099	2 X 19	-0219	-0379	-0539	-1019
	2 X 20	-0300	-0460	-0620	-1100	2 X 20	-0220	-0380	-0540	-1020
	2 X 21	-0301	-0461	-0621	-1101	2 X 21	-0221	-0381	-0541	-1021
	2 X 22	-0302	-0462	-0622	-1102	2 X 22	-0222	-0382	-0542	-1022
	2 X 23	-0303	-0463	-0623	-1103	2 X 23	-0223	-0383	-0543	-1023
	2 X 24	-0304	-0464	-0624	-1104	2 X 24	-0224	-0384	-0544	-1024
	2 X 25	-0305	-0465	-0625	-1105	2 X 25	-0225	-0385	-0545	-1025
	2 X 26	-0306	-0466	-0626	-1106	2 X 26	-0226	-0386	-0546	-1026
	2 X 27	-0307	-0467	-0627	-1107	2 X 27	-0227	-0387	-0547	-1027
	2 X 28	-0308	-0468	-0628	-1108	2 X 28	-0228	-0388	-0548	-1028
	2 X 29	-0309	-0469	-0629	-1109	2 X 29	-0229	-0389	-0549	-1029
	2 X 30	-0310	-0470	-0630	-1110	2 X 30	-0230	-0390	-0550	-1030
	2 X 31	-0311	-0471	-0631	-1111	2 X 31	-0231	-0391	-0551	-1031
	2 X 32	-0312	-0472	-0632	-1112	2 X 32	-0232	-0392	-0552	-1032
	2 X 33	-0313	-0473	-0633	-1113	2 X 33	-0233	-0393	-0553	-1033
	2 X 34	-0314	-0474	-0634	-1114	2 X 34	-0234	-0394	-0554	-1034
	2 X 35	-0315	-0475	-0635	-1115	2 X 35	-0235	-0395	-0555	-1035
	2 X 36	-0316	-0476	-0636	-1116	2 X 36	-0236	-0396	-0556	-1036
	2 X 37	-0317	-0477	-0637	-1117	2 X 37	-0237	-0397	-0557	-1037
	2 X 38	-0318	-0478	-0638	-1118	2 X 38	-0238	-0398	-0558	-1038
	2 X 39	▼ -0319	▼ -0479	▼ -0639	▼ -1119	2 X 39	▼ -0239	▼ -0399	▼ -0559	▼ -1039
	2 X 40	90122-0320	90122-0480	90122-0640	90122-1120	2 X 40	90122-0240	90122-0400	90122-0560	90122-1040

DIM C (± 0.20)
 $\pm .008$
(6.75)
.266

DIM D (± 0.25)
 $\pm .010$
(2.90)
.114

DIM C (± 0.20)
 $\pm .008$
(5.75)
.226

DIM D (± 0.25)
 $\pm .010$
(2.90)
.114

NOTES:
FOR PLATING VARIATIONS SEE
ENG.STD. SDES-99000-0003.

THIS DRAWING CONTAINS INFORMATION THAT IS PROPRIETARY TO MOLEX ELECTRONIC TECHNOLOGIES, LLC AND SHOULD NOT BE USED WITHOUT WRITTEN PERMISSION											
DIMENSION UNITS		SCALE		CURRENT REV DESC: MIGRATED						molex	
mm		NTS									
GENERAL TOLERANCES (UNLESS SPECIFIED)				MM		INCH		EC NO: 615440			
4 PLACES		±		±				DRWN: MKP		2019/04/11	
3 PLACES		±		±				CHK'D: NMANE02		2019/04/12	
2 PLACES		± 0.05		± 0.002				APPR: MRAMAKRISHNA		2019/04/12	
1 PLACE		±		±				INITIAL REVISION:			
0 PLACES		±		±				DRWN: DB		16/07/87	
ANGULAR TOL		± °		± °				APPR: DB		1987/07/16	
DRAFT WHERE APPLICABLE MUST REMAIN WITHIN DIMENSIONS				THIRD ANGLE PROJECTION		DRAWING		SERIES		MATERIAL NUMBER	
						A3-SIZE		90122		SEE TABLE	
								CUSTOMER		SHEET NUMBER	
								GENERAL MARKET		5 OF 6	

10	9	8	7	6	5	4	3	2	1	
	CIRCUIT SIZE	PLATING TYPE B PART NO.	PLATING TYPE C PART NO.	PLATING TYPE D PART NO.	PLATING TYPE G PART NO.	CIRCUIT SIZE	PLATING TYPE B PART NO.	PLATING TYPE C PART NO.	PLATING TYPE D PART NO.	PLATING TYPE G PART NO.
F	2 X 1	90122-0241	90122-0401	90122-0561	90122-1041	2 X 1	90122-0321	90122-0481	90122-0641	90122-1121
	2 X 2	▲ -0242	▲ -0402	▲ -0562	▲ -1042	2 X 2	▲ -0322	▲ -0482	▲ -0642	▲ -1122
	2 X 3	-0243	-0403	-0563	-1043	2 X 3	-0323	-0483	-0643	-1123
	2 X 4	-0244	-0404	-0564	-1044	2 X 4	-0324	-0484	-0644	-1124
	2 X 5	-0245	-0405	-0565	-1045	2 X 5	-0325	-0485	-0645	-1125
	2 X 6	-0246	-0406	-0566	-1046	2 X 6	-0326	-0486	-0646	-1126
	2 X 7	-0247	-0407	-0567	-1047	2 X 7	-0327	-0487	-0647	-1127
	2 X 8	-0248	-0408	-0568	-1048	2 X 8	-0328	-0488	-0648	-1128
	2 X 9	-0249	-0409	-0569	-1049	2 X 9	-0329	-0489	-0649	-1129
E	2 X 10	-0250	-0410	-0570	-1050	2 X 10	-0330	-0490	-0650	-1130
	2 X 11	-0251	-0411	-0571	-1051	2 X 11	-0331	-0491	-0651	-1131
	2 X 12	-0252	-0412	-0572	-1052	2 X 12	-0332	-0492	-0652	-1132
	2 X 13	-0253	-0413	-0573	-1053	2 X 13	-0333	-0493	-0653	-1133
	2 X 14	-0254	-0414	-0574	-1054	2 X 14	-0334	-0494	-0654	-1134
	2 X 15	-0255	-0415	-0575	-1055	2 X 15	-0335	-0495	-0655	-1135
	2 X 16	-0256	-0416	-0576	-1056	2 X 16	-0336	-0496	-0656	-1136
	2 X 17	-0257	-0417	-0577	-1057	2 X 17	-0337	-0497	-0657	-1137
	2 X 18	-0258	-0418	-0578	-1058	2 X 18	-0338	-0498	-0658	-1138
	2 X 19	-0259	-0419	-0579	-1059	2 X 19	-0339	-0499	-0659	-1139
D	2 X 20	-0260	-0420	-0580	-1060	2 X 20	-0340	-0500	-0660	-1140
	2 X 21	-0261	-0421	-0581	-1061	2 X 21	-0341	-0501	-0661	-1141
	2 X 22	-0262	-0422	-0582	-1062	2 X 22	-0342	-0502	-0662	-1142
	2 X 23	-0263	-0423	-0583	-1063	2 X 23	-0343	-0503	-0663	-1143
	2 X 24	-0264	-0424	-0584	-1064	2 X 24	-0344	-0504	-0664	-1144
	2 X 25	-0265	-0425	-0585	-1065	2 X 25	-0345	-0505	-0665	-1145
	2 X 26	-0266	-0426	-0586	-1066	2 X 26	-0346	-0506	-0666	-1146
	2 X 27	-0267	-0427	-0587	-1067	2 X 27	-0347	-0507	-0667	-1147
	2 X 28	-0268	-0428	-0588	-1068	2 X 28	-0348	-0508	-0668	-1148
	2 X 29	-0269	-0429	-0589	-1069	2 X 29	-0349	-0509	-0669	-1149
	2 X 30	-0270	-0430	-0590	-1070	2 X 30	-0350	-0510	-0670	-1150
C	2 X 31	-0271	-0431	-0591	-1071	2 X 31	-0351	-0511	-0671	-1151
	2 X 32	-0272	-0432	-0592	-1072	2 X 32	-0352	-0512	-0672	-1152
	2 X 33	-0273	-0433	-0593	-1073	2 X 33	-0353	-0513	-0673	-1153
	2 X 34	-0274	-0434	-0594	-1074	2 X 34	-0354	-0514	-0674	-1154
	2 X 35	-0275	-0435	-0595	-1075	2 X 35	-0355	-0515	-0675	-1155
	2 X 36	-0276	-0436	-0596	-1076	2 X 36	-0356	-0516	-0676	-1156
	2 X 37	-0277	-0437	-0597	-1077	2 X 37	-0357	-0517	-0677	-1157
	2 X 38	-0278	-0438	-0598	-1078	2 X 38	-0358	-0518	-0678	-1158
	2 X 39	▼ -0279	▼ -0439	▼ -0599	▼ -1079	2 X 39	▼ -0359	▼ -0519	▼ -0679	▼ -1159
B	2 X 40	90122-0280	90122-0440	90122-0600	90122-1080	2 X 40	90122-0360	90122-0520	90122-0680	90122-1160


DIM C (±0.20) ±.008 (5.75) .226

DIM D (±0.25) ±.010 (4.50) .177

DIM C (±0.20) ±.008 (6.75) .266

DIM D (±0.25) ±.010 (4.50) .177

NOTES:
FOR PLATING VARIATIONS SEE
ENG.STD. SDES-99000-0003.

THIS DRAWING CONTAINS INFORMATION THAT IS PROPRIETARY TO MOLEX ELECTRONIC TECHNOLOGIES, LLC AND SHOULD NOT BE USED WITHOUT WRITTEN PERMISSION									
DIMENSION UNITS		SCALE		CURRENT REV DESC: MIGRATED					
mm		NTS		 C-GRID III DUAL ROW RIGHT ANGLE HEADER					
GENERAL TOLERANCES (UNLESS SPECIFIED)									
		MM	INCH	EC NO: 615440 DRWN: MKP 2019/04/11 CHK'D: NMANE02 2019/04/12 APPR: MRAMAKRISHNA 2019/04/12					
4 PLACES	±								
3 PLACES	±			PRODUCT CUSTOMER DRAWING DOCUMENT NUMBER: SDA-90122 DOC TYPE: PSD DOC PART: 001 REVISION: M3					
2 PLACES	±	0.05	± 0.002						
1 PLACE	±			INITIAL REVISION: DRWN: DB 16/07/87 APPR: DB 1987/07/16					
0 PLACES	±								
ANGULAR TOL		°		DRAFT WHERE APPLICABLE MUST REMAIN WITHIN DIMENSIONS		THIRD ANGLE PROJECTION		DRAWING SERIES	
				A3-SIZE		90122		MATERIAL NUMBER CUSTOMER SHEET NUMBER	
				SEE TABLE		GENERAL MARKET		6 OF 6	