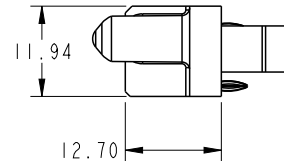
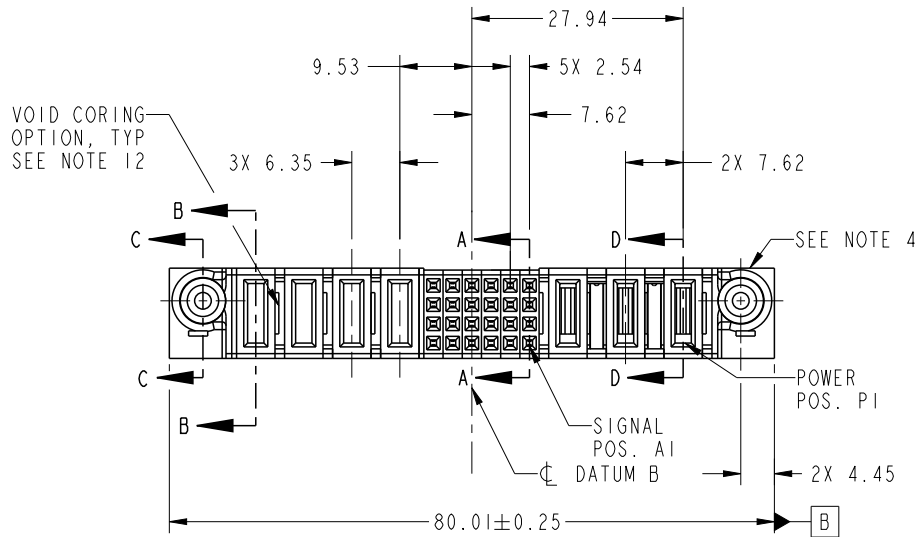
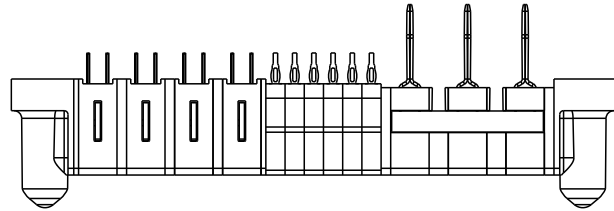


PRODUCT NO.	ROWS	POWER				SIGNAL					POWER			E1		
		E2	P7	P6	P5	P4	6	5	4	3	2	1	P3		P2	P1
51940-445-- NOTE: 3	D C B A		PC	PC	PF	PF	F	F	F	F	F	F	PG	PH	PH	

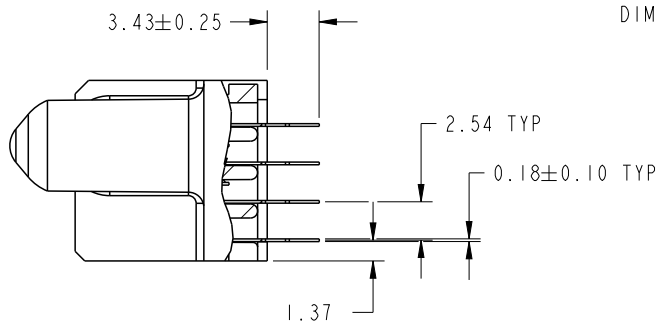


CODE	DIM "M" MATING LENGTH	CONTACT TYPE
PC	[1.07]	POWER
PF	[2.34]	POWER
F	[N/A]	SIGNAL
PG	[1.07]	POWER
PH	[2.34]	POWER

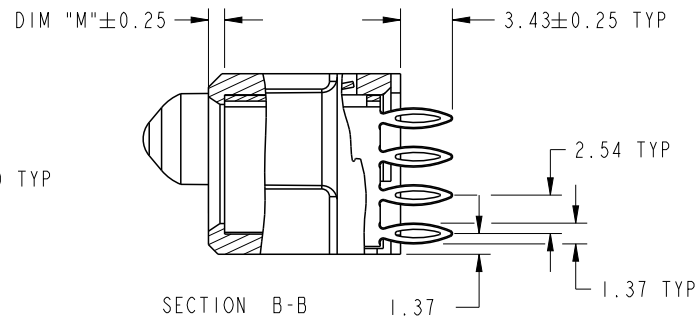
spec ref	SEE NOTES		dr	Ruan MT	2012/07/04	projection 	MM ←→	size	A4	scale	1:1
tolerance std	TOLERANCES UNLESS OTHERWISE SPECIFIED		eng	Ruan MT	2014/05/15			ecn no	-		
SEE NOTE			chr	-	-			rel level	Released		
surface	linear	0.X ±0.5 0.XX ±0.25 0.XXX ±0.1	appr	Pei-Ming Zheng	2014/05/15	product family	PwrBlade	rev	A		
	angular	0° ±2°	www.fci.com		title	3ACP + 24S + 4P VERTICAL PF RECEPT		dwg no	51940-445	sheet 1 of 4	
			cat. no.	-	Product - Customer Drw						

PRODUCT NUMBER

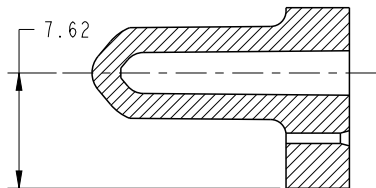
51940-445_
NOTE: 3



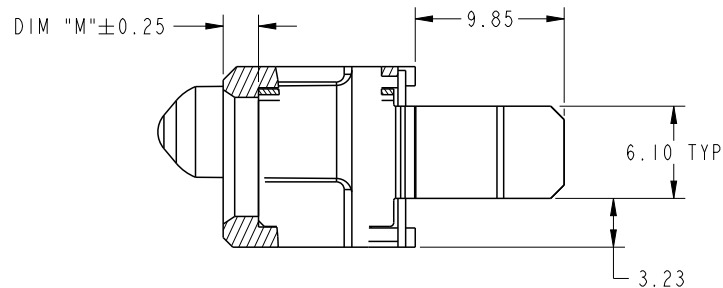
SECTION A-A
SCALE 2:1



SECTION B-B
SCALE 2:1



SECTION C-C
SCALE 2:1

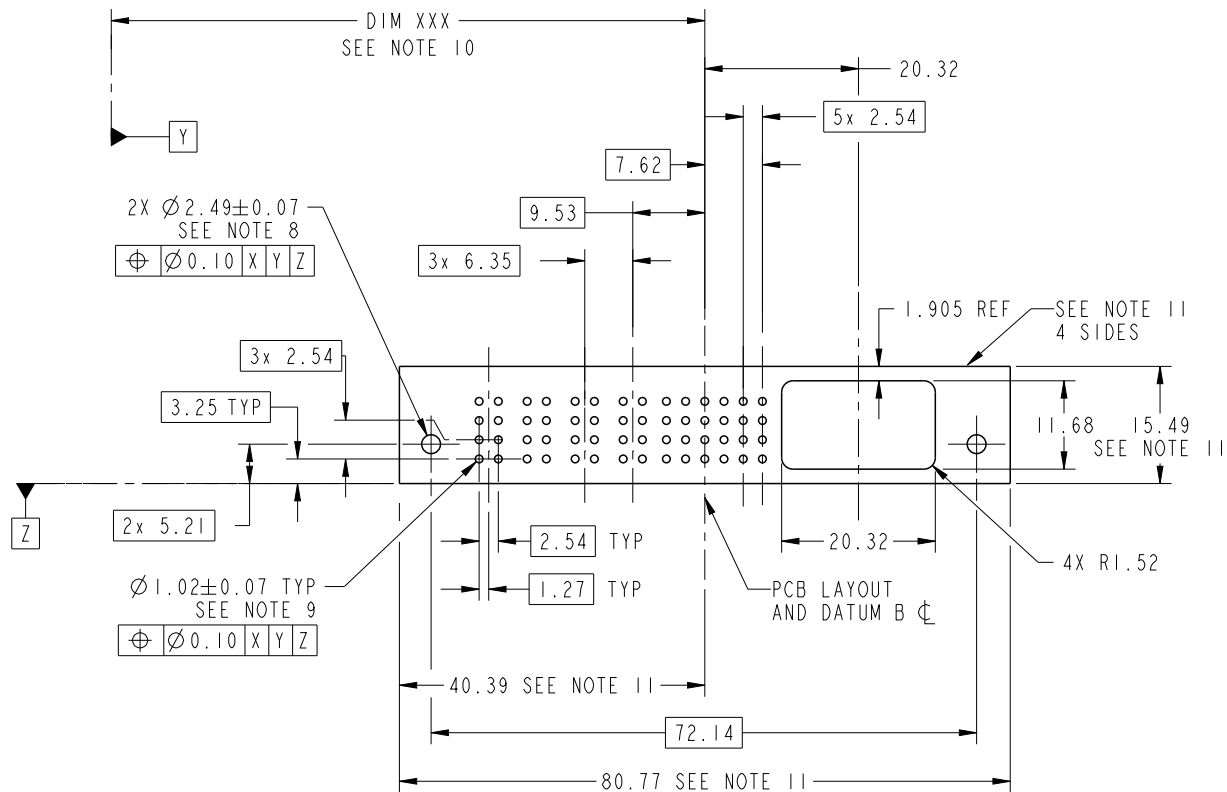


SECTION D-D
SCALE 2:1

dr	Ruan MT	2012/07/04	projection 	MM 	size	A4	scale	1:1
eng	Ruan MT	2014/05/15			ecn no	-		
chr	-	-			rel level	Released		
appr	Pei-Ming Zheng	2014/05/15	product family	PwrBlade				
		title 3ACP + 24S + 4P VERTICAL PF RECEPT	dwg no 51940-445	rev A				
www.fci.com		cat. no.	Product - Customer Drw			sheet 2 of 4		

PRODUCT NUMBER

51940-445_
NOTE: 3



RECOMMENDED PCB LAYOUT

dr	Ruan MT	2012/07/04	projection 	MM ←→	size	A4	scale	1:1		
eng	Ruan MT	2014/05/15			ecn no	-				
chr	-	-			rel level	Released				
appr	Pei-Ming Zheng	2014/05/15	product family	PwrBlade						
		title		3ACP + 24S + 4P		dwg no		51940-445	rev	A
www.fci.com		cat. no.		-		Product - Customer Drw		sheet 3 of 4		

PRODUCT NUMBER

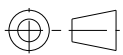
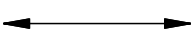

51940-445__
NOTE: 3

NOTES:

1. DIMENSIONS AND TOLERANCES ARE IN ACCORDANCE WITH ASME Y14.5M, 1994 UNLESS OTHERWISE SPECIFIED.

CONNECTOR NOTES:

- ② HOUSING MATERIAL: UL 94 V-0 GLASS FILLED HIGH-TEMP THERMOPLASTIC
POWER CONTACT MATERIAL: COPPER ALLOY
SIGNAL PIN MATERIAL: COPPER ALLOY
- 3. SEE ITEM 7 & 8 IN PRINT 10064183 FOR PLATING SPEC OF 51940-445 AND 51940-445LF RESPECTIVELY.
- ④ MANUFACTURER'S NAME, DATE CODE AND OPTIONAL P/N TO APPEAR ON THIS SURFACE. THE P/N CAN BE OMITTED IF THERE IS NOT ENOUGH SPACE ON THIS SURFACE.
- 5. PRODUCT SPECIFICATION GS-12-149.
APPLICATION SPECIFICATION BUS-20-067.
- 6. PACKAGED IN TRAYS.
- PCB NOTES:
- 7. ALL HOLE DIAMETERS ARE FINISHED HOLE SIZE.
- ⑧ MOUNTING HOLES, WHERE APPLICABLE, ARE UNPLATED.
- ⑨ $\varnothing 1.151 \pm 0.025$ DRILLED HOLES PLATED WITH
0.008 MIN SnPb OR Sn OVER 0.03
TO 0.08 Cu PLATING TO ACHIEVE
 $\varnothing 1.02 \pm 0.07$ HOLE.
- ⑩ "DIM XXX" TO BE DETERMINED BY THE CUSTOMER.
- ⑪ CONNECTOR KEEP-OUT ZONE.
- 12. THE VOID CORING IN BETWEEN POWER MODULES, SIGNAL MODULES AND END MODULES ARE OPTIONAL AND THE SHAPE MAY BE DIFFERENT FOR OPTIMIZE THE MOLDING PROCESS. THE VOID CORING WILL NOT EFFECT TO PRODUCT FUNCTION.

dr	Ruan MT	2012/07/04	projection 	MM 	size	A4	scale	1:1	
eng	Ruan MT	2014/05/15			ecn no	-			
chr	-	-							
appr	Pei-Ming Zheng	2014/05/15	product family	PwrBlade	rel level	Released			
	title	3ACP + 24S + 4P VERTICAL PF RECEPT			dwg no	51940-445		rev	A
www.fci.com	cat. no.	-	Product - Customer Drw			sheet 4 of 4			