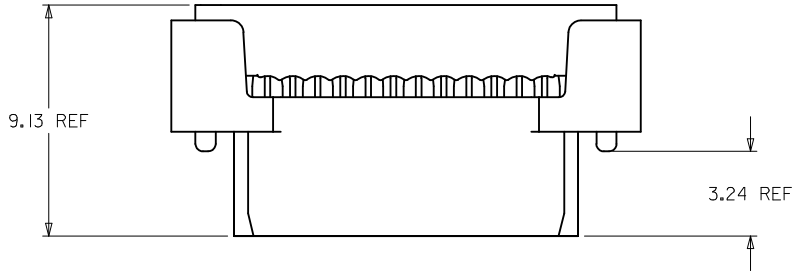


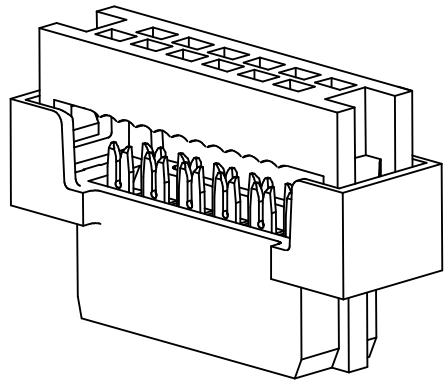
1. MATERIALS:
HOUSING - THERMOPLASTIC, UL94V-0 BLACK
TERMINAL - COPPER ALLOY
2. FINISHES
PLATING 3 - 15uin (0.38um) SELECTIVE GOLD IN CONTACT AREA
AND 75 uin (1.88um) TIN IN IDT AREA OVER
50uin (1.25um) NICKEL OVERALL
PLATING 4 - 30uin (0.76um) SELECTIVE GOLD IN CONTACT AREA
AND 75 uin (1.88um) TIN IN IDT AREA OVER
50uin (1.25um) NICKEL OVERALL
3. PRODUCT SPEC PS-87568-004 APPLIES
4. FOR ILLUSTRATION, CKT I2 IS SHOWN WITH MOLDIN VOID. TERMINALS FULLY LOADED. SEE TABLE FOR MOLDIN CONFIGURATION
5. PART MATES WITH ALL MILLIGRID HEADERS WITH MATING LENGTH BETWEEN 2.50mm AND 4.20mm
6. PART IS DESIGNED FOR 1.00mm PITCH FLAT CABLE, 7 STRANDS, AWG #28, UL2651 AND UL2678

| | | | | | | | | |
|---|-------------------------------|---------------------------------------|-------|---|----------------------|------------------------------|--|--|
| OBS TIN/LEAD P/N EC NO: S2006-0732 DRWN:MLONG 2006/04/03 CHKD:NAGESHKN 2006/04/04 APPR:PTLIM 2006/04/06 | QUALITY SYMBOLS ▽=0 ◻=0 | GENERAL TOLERANCES (UNLESS SPECIFIED) | | DIMENSION STYLE MM ONLY | SCALE NTS | DESIGN UNITS METRIC | THIRD ANGLE PROJECTION | |
| | | | mm | INCH | DRAWN BY JAMES | DATE 1998/06/23 | TITLE MGRID 2MM DUAL ROW IDT WITH MOLDIN VOID | |
| | | 4 PLACES | ± --- | ± --- | CHECKED BY SQUEK | DATE 1998/07/15 | MOLEX INCORPORATED | |
| | | 3 PLACES | ± --- | ± --- | APPROVED BY SKTOH | DATE 1998/07/16 | | |
| | 2 PLACES | ± 0.15 | ± --- | MATERIAL NO. SEE TABLE | | DOCUMENT NO. SD-87568-005 | SHEET NO. 1 OF 2 | |
| | 1 PLACE | ± --- | ± --- | DRAFT WHERE APPLICABLE MUST REMAIN WITHIN DIMENSIONS | | | | |
| | | ANGULAR ± 3 ° | | THIS DRAWING CONTAINS INFORMATION THAT IS PROPRIETARY TO MOLEX INCORPORATED AND SHOULD NOT BE USED WITHOUT WRITTEN PERMISSION | | | | |

| ENGINEERING NUMBER | MOLDIN VOID POSITION | PLATING OPTION | CKT. SIZE | | | | | |
|--------------------|----------------------|----------------|-----------|-------|-------|-------|-------|-------|
| | | | | A | B | C | D | E |
| 87568-7003 | 20 | 3 | 44 | 50.65 | 42.00 | 48.90 | 45.65 | 44.55 |
| 87568-7004 | | 4 | | | | | | |



CABLE LOADED ASSEMBLY
(12 CKT SHOWN FOR ILLUSTRATION ONLY)



ISO VIEW
(12 CKT SHOWN FOR ILLUSTRATION ONLY)

| | | | | | | | | |
|---|-------------------------------|---------------------------------------|--|----------------------------|---|------------------------------|------------------------|--|
| OBS TIN/LEAD P/N EC NO: S2006-0732 DRWN:MLONG 2006/04/03 CHKD:NAGESHKN 2006/04/04 APPR:PTLIM 2006/04/06 | QUALITY SYMBOLS ▽=0 ◻=0 | GENERAL TOLERANCES (UNLESS SPECIFIED) | | DIMENSION STYLE MM ONLY | SCALE NTS | DESIGN UNITS METRIC | THIRD ANGLE PROJECTION | |
| | | | mm | INCH | DRAWN BY JAMES | DATE 1998/06/23 | TITLE MGRID | |
| | | 4 PLACES | ± --- | ± --- | CHECKED BY SQUEK | DATE 1998/07/15 | 2MM DUAL ROW | |
| | | 3 PLACES | ± --- | ± --- | APPROVED BY SKTOH | DATE 1998/07/16 | IDT WITH MOLDIN VOID | |
| | | | 2 PLACES | ± 0.15 | ± --- | | | |
| | | | 1 PLACE | ± --- | ± --- | | | |
| | | | ANGULAR ± 3 ° | | | | | |
| | | | DRAFT WHERE APPLICABLE MUST REMAIN WITHIN DIMENSIONS | | MATERIAL NO. SEE TABLE | DOCUMENT NO. SD-87568-005 | SHEET NO. 2 OF 2 | |
| | | | | SIZE A3 | THIS DRAWING CONTAINS INFORMATION THAT IS PROPRIETARY TO MOLEX INCORPORATED AND SHOULD NOT BE USED WITHOUT WRITTEN PERMISSION | | | |