



PRELIMINARY

### Features

- Improved Switch dV/dt Immunity of 1500V/μs
- Smart logic for power-up/hot-plug state control
- Small 44-pin TQFP Package
- Monolithic IC reliability
- Low, matched R<sub>ON</sub>
- Eliminates the need for zero-cross switching
- Flexible switch timing to transition from ringing mode to talk mode.
- Clean, bounce-free switching
- Tertiary protection consisting of integrated current limiting, voltage clamping, and thermal shutdown for SLIC protection
- 5V operation with very low power consumption
- Intelligent battery monitor
- Latched logic-level inputs, no external drive circuitry required

### Applications

- VoIP Gateways
- Central Office (CO)
- Digital Loop Carrier (DLC)
- PBX Systems
- Digitally Added Main Line (DAML)
- Hybrid Fiber Coax (HFC)
- Fiber In The Loop (FITL)
- Pair Gain System
- Channel Banks

### Description

The CPC75282 Dual Line Card Access Switch (LCAS), a member of IXYS Integrated Circuits Division's next generation Line Card Access Switch family, is a monolithic solid state device that provides the switching functionality of four 2-Form-C relays in a single, small, economical package.

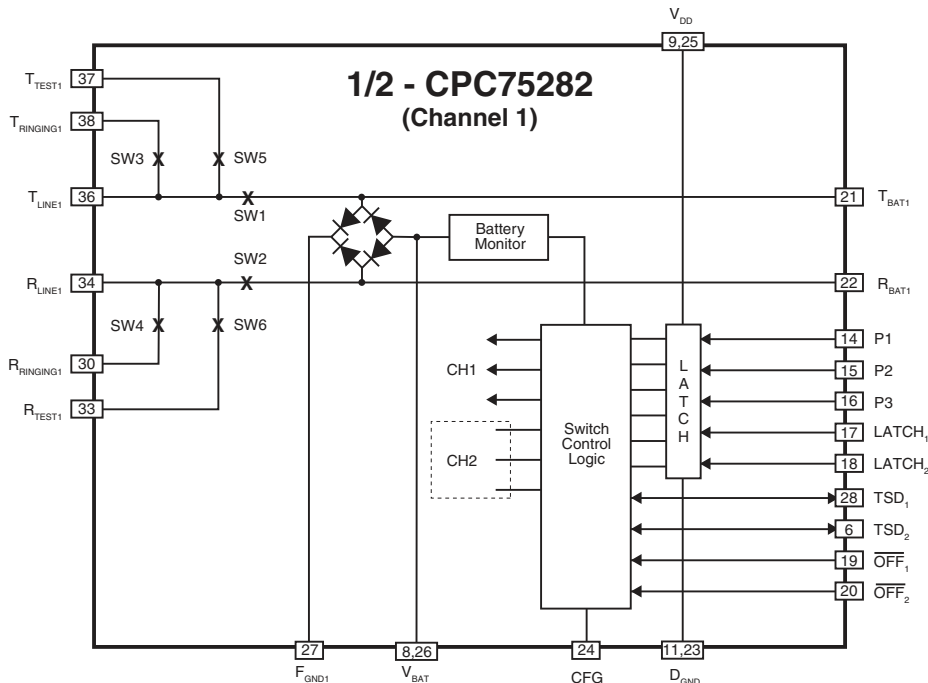
The CPC75282 Dual LCAS device is designed to provide ringing and test access to the telephone loop in Central Office, Digitally Added Main Line, Private Branch Exchange, Digital Loop Carrier, and Hybrid Fiber Coax/Fiber-In-The-Loop analog line card applications. Test access switches provide access to the telephone loop for line (drop) test or message waiting in the PBX application.

### Ordering Information

| Part #       | Description                          |
|--------------|--------------------------------------|
| CPC75282KA   | 44-Pin TQFP, (37/Tube)               |
| CPC75282KATR | 44-Pin TQFP, Tape & Reel (1000/Reel) |



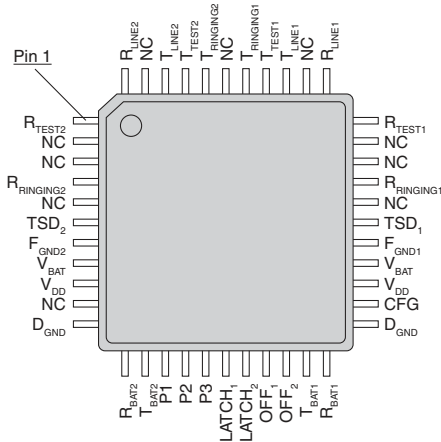
Figure 1. CPC75282 Block Diagram



|   |           |
|---|-----------|
| <b>1. Specifications</b>  | <b>3</b>  |
| 1.1 Package Pinout  | 3         |
| 1.2 Pinout by Channel   | 3         |
| 1.3 Pinout by Pin Number  | 3         |
| 1.4 Absolute Maximum Ratings  | 4         |
| 1.5 ESD Rating  | 4         |
| 1.6 General Conditions  | 4         |
| 1.7 Switch Specifications   | 5         |
| 1.7.1 Break Switches, SW1 and SW2   | 5         |
| 1.7.2 Ringing Return Switch, SW3  | 6         |
| 1.7.3 Ringing Switch, SW4   | 7         |
| 1.7.4 Test Switches, SW5 and SW6  | 8         |
| 1.8 Digital I/O Electrical Specifications                                     | 9         |
| 1.9 Voltage and Power Specifications  | 10        |
| 1.10 Protection Circuitry Electrical Specifications                           | 10        |
| 1.11 Truth Tables   | 11        |
| 1.11.1 Operating States: CFG=0  | 11        |
| 1.11.2 Operating States: CFG=1  | 11        |
| <b>2. Functional Description</b>  | <b>12</b> |
| 2.1 Introduction  | 12        |
| 2.2 Under Voltage Switch Lock-Out Circuitry                                   | 12        |
| 2.3 Switch Logic  | 13        |
| 2.3.1 Start-up  | 13        |
| 2.3.2 Switch Timing   | 13        |
| 2.3.3 Make-Before-Break Operation   | 13        |
| 2.3.4 Make-Before-Break Operation Logic Table (Ringing to Talk Transition)    | 13        |
| 2.3.5 Break-Before-Make Ringing to Talk Transition Logic Sequence CPC7592xA/B | 14        |
| 2.3.6 Break -Before- Make Operation   | 14        |
| 2.4 Data Latch  | 14        |
| 2.5 T <sub>SD</sub> Pin Description   | 14        |
| 2.6 Ringing Switch Zero-Cross Current Turn Off                                | 15        |
| 2.7 Power Supplies  | 15        |
| 2.8 Battery Voltage Monitor   | 15        |
| 2.9 Protection  | 15        |
| 2.9.1 Diode Bridge  | 15        |
| 2.9.2 Current Limiting function   | 15        |
| 2.10 Thermal Shutdown   | 16        |
| 2.11 External Protection Elements   | 16        |
| <b>3. Typical Performance Characteristics</b>                                 | <b>17</b> |
| 3.1 Figure 1: Protection Circuit  | 17        |
| 3.2 Figure 2: Switches 1-3  | 17        |
| 3.3 Figure 3: Switch 4  | 17        |
| 3.4 Figure 4: Switches 5-6  | 17        |
| <b>4. Manufacturing Information</b>   | <b>18</b> |
| 4.1 Moisture Sensitivity  | 18        |
| 4.2 ESD Sensitivity   | 18        |
| 4.3 Reflow Profile  | 18        |
| 4.4 Board Wash  | 18        |
| 4.5 Mechanical Dimensions   | 19        |
| 4.5.1 CPC75282KA Package  | 19        |
| 4.5.2 CPC75282KATR Tape & Reel  | 19        |

## 1. Specifications

### 1.1 Package Pinout



### 1.2 Pinout by Channel

| CH1                                 | CH2 | Name                  | Description   |
|-------------------------------------|-----|-----------------------|---|
| 27                                  | 7   | F <sub>GNDx</sub>     | Fault Ground <sup>1</sup>                             |
| 21                                  | 13  | T <sub>BATx</sub>     | Tip Lead to the SLIC                                  |
| 36                                  | 42  | T <sub>LINEx</sub>    | Tip Lead of the Line Side                             |
| 38                                  | 40  | T <sub>RINGINGx</sub> | Ringing Generator Return                              |
| 37                                  | 41  | T <sub>TESTx</sub>    | Tip Lead of the Test Bus                              |
| 9, 25                               |     | V <sub>DD</sub>       | +5V Supply  |
| 33                                  | 1   | R <sub>TESTx</sub>    | Ring Lead of the Test Bus                             |
| 30                                  | 4   | R <sub>RINGINGx</sub> | Ringing Generator Source                              |
| 34                                  | 44  | R <sub>LINEx</sub>    | Ring Lead of the Line Side                            |
| 22                                  | 12  | R <sub>BATx</sub>     | Ring Lead to the SLIC                                 |
| 8, 26                               |     | V <sub>BAT</sub>      | Battery Supply  |
| 17                                  | 18  | LATCH <sub>x</sub>    | Data Latch Enable Control Input                       |
| 28                                  | 6   | TSD <sub>x</sub>      | Temperature Shutdown Pin                              |
| 19                                  | 20  | OFF <sub>x</sub>      | All Off Logic Level Input Switch Control <sup>2</sup> |
| 11, 23                              |     | D <sub>GND</sub>      | Digital Ground  |
| 14                                  |     | P1                    | Logic Control Input                                   |
| 15                                  |     | P2                    | Logic Control Input                                   |
| 16                                  |     | P3                    | Logic Control Input                                   |
| 24                                  |     | CFG                   | Operating States Configuration                        |
| 2, 3, 5, 10, 29, 31, 32, 35, 39, 43 |     | NC                    | Not Connected   |

<sup>1</sup> "x" denotes channel number

<sup>2</sup> An internal pull-down device is included on this node to set Off as the power-up default state. These pins can also be used as a device reset. If these pins are not used, tie to V<sub>DD</sub>

### 1.3 Pinout by Pin Number

| Pin                                 | Name                  | Description                              |
|-------------------------------------|-----------------------|--|
| 1                                   | R <sub>TEST2</sub>    | Ring Lead of the Test Bus                |
| 4                                   | R <sub>RINGING2</sub> | Ringing Generator Source                 |
| 6                                   | TSD <sub>2</sub>      | Temperature Shutdown Pin                 |
| 7                                   | F <sub>GND2</sub>     | Fault Ground                             |
| 9                                   | V <sub>DD</sub>       | +5V Supply                               |
| 12                                  | R <sub>BAT2</sub>     | Ring Lead to the SLIC                    |
| 13                                  | T <sub>BAT2</sub>     | Tip Lead to the SLIC                     |
| 14                                  | P1                    | Logic Control Input                      |
| 15                                  | P2                    | Logic Control Input                      |
| 16                                  | P3                    | Logic Control Input                      |
| 17                                  | LATCH <sub>1</sub>    | Data Latch Enable Control Input          |
| 18                                  | LATCH <sub>2</sub>    | Data Latch Enable Control Input          |
| 19                                  | OFF <sub>1</sub>      | All Off Logic Level Input Switch Control |
| 20                                  | OFF <sub>2</sub>      | All Off Logic Level Input Switch Control |
| 21                                  | T <sub>BAT1</sub>     | Tip Lead to the SLIC                     |
| 22                                  | R <sub>BAT1</sub>     | Ring Lead to the SLIC                    |
| 24                                  | CFG                   | Operating States Configuration           |
| 25                                  | V <sub>DD</sub>       | +5V Supply                               |
| 27                                  | F <sub>GND1</sub>     | Fault Ground                             |
| 28                                  | TSD <sub>1</sub>      | Temperature Shutdown Pin                 |
| 30                                  | R <sub>RINGING1</sub> | Ringing Generator Source                 |
| 32                                  | NC                    | Not Connected                            |
| 33                                  | R <sub>TEST1</sub>    | Ring Lead of the Test Bus                |
| 34                                  | R <sub>LINE1</sub>    | Ring Lead of the Line Side               |
| 35                                  | NC                    | Not Connected                            |
| 36                                  | T <sub>LINE1</sub>    | Tip Lead of the Line Side                |
| 37                                  | T <sub>TEST1</sub>    | Tip Lead of the Test Bus                 |
| 38                                  | T <sub>RINGING1</sub> | Ringing Generator Return                 |
| 39                                  | NC                    | Not Connected                            |
| 40                                  | T <sub>RINGING2</sub> | Ringing Generator Return                 |
| 41                                  | T <sub>TEST2</sub>    | Tip Lead of the Test Bus                 |
| 42                                  | T <sub>LINE2</sub>    | Tip Lead of the Line Side                |
| 43                                  | NC                    | Not Connected                            |
| 44                                  | R <sub>LINE2</sub>    | Ring Lead of the Line Side               |
| 9, 25                               | V <sub>DD</sub>       | +5V Supply                               |
| 11, 23                              | D <sub>GND</sub>      | Digital Ground                           |
| 8, 26                               | V <sub>BAT</sub>      | Battery Supply                           |
| 2, 3, 5, 10, 29, 31, 32, 35, 39, 43 | NC                    | Not Connected                            |

### 1.4 Absolute Maximum Ratings

| Parameter   | Minimum | Maximum        | Unit |
|---|---------|----------------|------|
| +5V power supply ( $V_{DD}$ )                           | -0.3    | 7              | V    |
| Battery Supply  | -       | -85            | V    |
| $D_{GND}$ to $F_{GND}$ Separation                       | -5      | +5             | V    |
| Logic input voltage                                     | -0.3    | $V_{DD} + 0.3$ | V    |
| Logic input to switch output isolation                  | -       | 320            | V    |
| Switch open-contact isolation (SW1, SW2, SW3, SW5, SW6) | -       | 320            | V    |
| Switch open-contact Isolation (SW4)                     | -       | 465            | V    |
| Operating relative humidity                             | 5       | 95             | %    |
| Operating temperature                                   | -40     | +110           | °C   |
| Storage temperature                                     | -40     | +150           | °C   |

Absolute maximum electrical ratings are at 25°C.

*Absolute Maximum Ratings are stress ratings. Stresses in excess of these ratings can cause permanent damage to the device. Functional operation of the device at conditions beyond those indicated in the operational sections of this data sheet is not implied.*

### 1.5 ESD Rating

| ESD Rating (Human Body Model) |
|-------------------------------|
| 1000V                         |

### 1.6 General Conditions

Unless otherwise specified, minimum and maximum values are production testing requirements. Typical values are characteristic of the device and are the result of engineering evaluations. They are provided for information purposes only and are not part of the testing requirements.

Specifications cover the operating temperature range  $T_A = -40^{\circ}\text{C}$  to  $+85^{\circ}\text{C}$ . Also, unless otherwise specified, all testing is performed with  $V_{DD} = 5V_{DC}$ , logic low input voltage is  $0V_{DC}$  and logic high voltage is  $5V_{DC}$ .

1.7 Switch Specifications

1.7.1 Break Switches, SW1 and SW2

| Parameter                                  | Test Conditions  | Symbol          | Minimum     | Typical | Maximum | Unit       |
|--|--|-----------------|-------------|---------|---------|------------|
| Off-State Leakage Current                  | $V_{SW1}$ (differential) = $T_{LINE}$ to $T_{BAT}$<br>$V_{SW2}$ (differential) = $R_{LINE}$ to $R_{BAT}$<br>All-Off state. |                 |             |         |         |            |
|  | +25°C,<br>$V_{SW}$ (differential) = -320V to gnd<br>$V_{SW}$ (differential) = +260V to -60V                                | $I_{SW}$        | -           | -       | 1       | $\mu A$    |
|  | +85°C,<br>$V_{SW}$ (differential) = -330V to gnd<br>$V_{SW}$ (differential) = +270V to -60V                                |                 |             |         |         |            |
|  | -40°C,<br>$V_{SW}$ (differential) = -310V to gnd<br>$V_{SW}$ (differential) = +250V to -60V                                |                 |             |         |         |            |
| On Resistance                              | $I_{SW}(on) = \pm 10mA, \pm 40mA,$<br>$R_{BAT}$ and $T_{BAT} = -2V$  |                 |             |         |         |            |
|  | +25°C  | $R_{ON}$        | -           | 14.5    | -       | $\Omega$   |
|  | +85°C  |                 |             | -       | 31      |            |
|  | -40°C  |                 |             | 10.5    | -       |            |
| On Resistance Matching                     | Per SW1 & SW2 On Resistance test conditions.   | $\Delta R_{ON}$ | -           | 0.02    | 1.0     | $\Omega$   |
| ON-State Voltage <sup>1</sup>              | Maximum Differential Voltage ( $V_{max}$ )   | $\Delta V_{ON}$ | -           | -       | 320     | V          |
|  | Foldback Voltage Breakpoint 1 ( $V_1$ )  |                 | 60          | -       | -       |            |
|  | Foldback Voltage Breakpoint 2 ( $V_2$ )  |                 | $V_1 + 0.5$ | -       | -       |            |
| DC current limit 1 ( $I_{LIM1}$ )          | $V_{SW} (on) = \pm 10V, +25^\circ C$   | $I_{SW}$        | -           | 300     |         | mA         |
|  | $V_{SW} (on) = \pm 10V, +85^\circ C$   |                 | 80          |         |         |            |
|  | $V_{SW} (on) = \pm 10V, -40^\circ C$   |                 | -           | 425     |         |            |
| DC current limit 2 ( $I_{LIM2}$ )          |  | $I_{SW}$        | 1           | -       | -       |            |
| Dynamic current limit ( $t = <0.5 \mu s$ ) | Break switches on, all other switches off. Apply $\pm 1$ kV 10x1000 $\mu s$ pulse with appropriate protection in place.    | $I_{SW}$        | -           | 2.5     | -       | A          |
| Logic Input to Switch Output Isolation     | +25°C, $\overline{OFF}_x = 0,$<br>$V_{SW} (T_{LINE}, R_{LINE}) = \pm 320V$   | $I_{SW}$        | -           | -       | 1       | $\mu A$    |
|  | +85°C, $\overline{OFF}_x = 0,$<br>$V_{SW} (T_{LINE}, R_{LINE}) = \pm 330V$   |                 | -           | -       |         |            |
|  | -40°C, $\overline{OFF}_x = 0,$<br>$V_{SW} (T_{LINE}, R_{LINE}) = \pm 310V$   |                 | -           | -       |         |            |
| Transient Immunity <sup>2</sup>            |  | dV/dt           | 1500        | 2100    | -       | V/ $\mu s$ |

<sup>1</sup> Choice of secondary protector should ensure this rating is not exceeded.

<sup>2</sup> Applied voltage is 100V<sub>P-P</sub> square wave at 100Hz.

1.7.2 Ringing Return Switch, SW3

| Parameter                                 | Test Conditions   | Symbol          | Minimum     | Typical | Maximum | Unit       |
|---|---|-----------------|-------------|---------|---------|------------|
| Off-State Leakage Current                 | $V_{SW3}$ (differential) = $T_{LINE}$ to $T_{RINGING}$<br>All-Off state.  | $I_{SW}$        | -           | -       | 1       | $\mu A$    |
|   | +25° C,<br>$V_{SW}$ (differential) = -320V to gnd<br>$V_{SW}$ (differential) = +260V to -60V                                    |                 |             | -       |         |            |
|   | +85° C,<br>$V_{SW}$ (differential) = -330V to gnd<br>$V_{SW}$ (differential) = +270V to -60V                                    |                 |             | -       |         |            |
| On Resistance                             | $I_{SW}(on)$ = $\pm 0mA, \pm 10mA, +25^{\circ}C$  | $R_{ON}$        | -           | 60      | -       | $\Omega$   |
|   | $I_{SW}(on)$ = $\pm 0mA, \pm 10mA, +85^{\circ}C$  |                 |             | 85      | 100     |            |
|   | $I_{SW}(on)$ = $\pm 0mA, \pm 10mA, -40^{\circ}C$  |                 |             | 45      | -       |            |
| ON-State Voltage <sup>1</sup>             | Maximum Differential Voltage ( $V_{max}$ )  | $\Delta V_{ON}$ | -           | -       | 320     | V          |
|   | Foldback Voltage Breakpoint 1 ( $V_1$ )   |                 | 200         | -       | -       |            |
|   | Foldback Voltage Breakpoint 2 ( $V_2$ )   |                 | $V_1 + 0.5$ | -       | -       |            |
| DC current limit 1 ( $I_{LIM1}$ )         | $V_{SW}$ (on) = $\pm 10V, +25^{\circ}C$   | $I_{SW}$        | -           | 135     | -       | mA         |
|   | $V_{SW}$ (on) = $\pm 10V, +85^{\circ}C$   |                 | 70          | 85      |         |            |
|   | $V_{SW}$ (on) = $\pm 10V, -40^{\circ}C$   |                 | -           | 210     |         |            |
| DC current limit 2 ( $I_{LIM2}$ )         |   |                 | 1           | -       | -       |            |
| Dynamic current limit ( $t < 0.5 \mu s$ ) | Ringing switches on, all other switches off. Apply $\pm 1kV$ $10 \times 1000 \mu s$ pulse with appropriate protection in place. | $I_{SW}$        | -           | 2.5     | -       | A          |
| Logic Input to Switch Output Isolation    | +25° C, $\overline{OFF}_x = 0,$<br>$V_{SW}$ ( $T_{RINGING}, T_{LINE}$ ) = $\pm 320V$  | $I_{SW}$        | -           | -       | 1       | $\mu A$    |
|   | +85° C, $\overline{OFF}_x = 0,$<br>$V_{SW}$ ( $T_{RINGING}, T_{LINE}$ ) = $\pm 330V$  |                 |             | -       |         |            |
|   | -40° C, $\overline{OFF}_x = 0,$<br>$V_{SW}$ ( $T_{RINGING}, T_{LINE}$ ) = $\pm 310V$  |                 |             | -       |         |            |
| Transient Immunity <sup>2</sup>           | -   | dV/dt           | 1500        | 2100    | -       | V/ $\mu s$ |

<sup>1</sup> This parameter is not tested in production. Choice of secondary protector should ensure this rating is not exceeded.

<sup>2</sup> Applied voltage is 100V<sub>P-P</sub> square wave at 100Hz.

1.7.3 Ringing Switch, SW4

| Parameter                              | Test Conditions  | Symbol        | Minimum | Typical | Maximum | Unit       |
|--|--|---------------|---------|---------|---------|------------|
| Off-State Leakage Current              | $V_{SW4}$ (differential) = $R_{LINE}$ to $R_{RINGING}$<br>All-Off state.   |               |         |         |         |            |
|  | +25°C<br>$V_{SW}$ (differential) = -255V to +210V<br>$V_{SW}$ (differential) = +255V to -210V                            | $I_{SW}$      | -       | -       | 1       | $\mu A$    |
|  | +85°C<br>$V_{SW}$ (differential) = -270V to +210V<br>$V_{SW}$ (differential) = +270V to -210V                            |               |         | -       |         |            |
|  | -40°C<br>$V_{SW}$ (differential) = -245V to +210V<br>$V_{SW}$ (differential) = +245V to -210V                            |               |         | -       |         |            |
| On Resistance                          | $I_{SW}$ (on) = $\pm 70mA$ , $\pm 80mA$  | $R_{ON}$      | -       | 10      | 15      | $\Omega$   |
| On Voltage                             | $I_{SW}$ (on) = $\pm 1mA$  | $V_{ON}$      | -       | -       | 3       | V          |
| On-State Leakage Current               | Inputs set for ringing -Measure ringing generator current to ground.   | $I_{RINGING}$ | -       | 2       | -       | mA         |
| Steady-State Current <sup>1</sup>      | Inputs set for ringing mode.   | $I_{SW}$      | -       | -       | 150     | mA         |
| Surge Current <sup>1</sup>             | Ringing switches on, all other switches off. Apply $\pm 1kV$ 10x1000 $\mu s$ pulse with appropriate protection in place. | $I_{SW}$      | -       | -       | 2       | A          |
| Release Current                        | SW4 transition from on to off.   | $I_{RINGING}$ | -       | 300     | 1000    | $\mu A$    |
| Logic input to switch output isolation | +25°C, $\overline{OFF}_x = 0$ ,<br>$V_{SW}$ ( $R_{RINGING}$ , $R_{LINE}$ ) = $\pm 320V$                                  | $I_{SW}$      | -       | -       | 1       | $\mu A$    |
|  | +85°C, $\overline{OFF}_x = 0$ ,<br>$V_{SW}$ ( $R_{RINGING}$ , $R_{LINE}$ ) = $\pm 330V$                                  |               |         | -       |         |            |
|  | -40°C, $\overline{OFF}_x = 0$ ,<br>$V_{SW}$ ( $R_{RINGING}$ , $R_{LINE}$ ) = $\pm 310V$                                  |               |         | -       |         |            |
| Transient Immunity <sup>2</sup>        | -  | dV/dt         | 1500    | 2100    | -       | V/ $\mu s$ |

<sup>1</sup> This parameter is not tested in production. Choice of secondary protector should ensure this rating is not exceeded.

<sup>2</sup> Applied voltage is 100V<sub>p-p</sub> square wave at 100Hz.

1.7.4 Test Switches, SW5 and SW6

| Parameter                                     | Test Conditions   | Symbol   | Minimum | Typical | Maximum | Unit       |
|---|---|----------|---------|---------|---------|------------|
| Off-State Leakage Current                     | $V_{SW1}$ (differential) = $T_{LINE}$ to $T_{BAT}$<br>$V_{SW2}$ (differential) = $R_{LINE}$ to $R_{BAT}$<br>All-Off state.    |          |         |         |         |            |
|   | +25°C,<br>$V_{SW}$ (differential) = -320V to gnd<br>$V_{SW}$ (differential) = +260V to -60V                                   | $I_{SW}$ | -       | -       | 1       | $\mu A$    |
|   | +85°C,<br>$V_{SW}$ (differential) = -330V to gnd<br>$V_{SW}$ (differential) = +270V to -60V                                   |          |         | -       |         |            |
|   | -40°C,<br>$V_{SW}$ (differential) = -310V to gnd<br>$V_{SW}$ (differential) = +250V to -60V                                   |          |         | -       |         |            |
| On Resistance                                 | $I_{SW}(on) = \pm 10mA, \pm 40mA,$<br>$R_{BAT}$ and $T_{BAT} = -2V$   |          |         |         |         |            |
|   | +25°C   | $R_{ON}$ | -       | 38      | 70      | $\Omega$   |
|   | +85°C   |          |         | 46      |         |            |
|   | -40°C   |          |         | 28      |         |            |
| DC current limit                              | $V_{SW} (on) = \pm 10V, +25^\circ C$  | $I_{SW}$ | -       | 175     | -       | mA         |
|   | $V_{SW} (on) = \pm 10V, +85^\circ C$  |          |         | 80      |         |            |
|   | $V_{SW} (on) = \pm 10V, -40^\circ C$  |          |         | -       |         |            |
| Dynamic current limit<br>( $t = <0.5 \mu s$ ) | Break switches on, all other switches off. Apply $\pm 1kV$ $10 \times 1000 \mu s$ pulse with appropriate protection in place. | $I_{SW}$ | -       | 2.5     | -       | A          |
| Logic Input to Switch Output Isolation        | +25°C, $\overline{OFF}_x = 0,$<br>$V_{SW} (T_{LINE}, R_{LINE}) = \pm 320V$  | $I_{SW}$ | -       | -       | 1       | $\mu A$    |
|   | +85°C, $\overline{OFF}_x = 0,$<br>$V_{SW} (T_{LINE}, R_{LINE}) = \pm 330V$  |          |         | -       |         |            |
|   | -40°C, $\overline{OFF}_x = 0,$<br>$V_{SW} (T_{LINE}, R_{LINE}) = \pm 310V$  |          |         | -       |         |            |
| Transient Immunity <sup>1</sup>               | -   | dV/dt    | 1500    | 2100    | -       | V/ $\mu s$ |

<sup>1</sup> Applied voltage is  $100V_{P,P}$  square wave at 100Hz.



1.8 Digital I/O Electrical Specifications

| Parameter  | Test Conditions                                     | Symbol         | Minimum | Typical  | Maximum | Unit    |
|--|---|----------------|---------|----------|---------|---------|
| <b>Input Characteristics</b>   |   |                |         |          |         |         |
| Input Voltage, Logic Low (P1-P3, $\overline{\text{OFF}}_x$ , CFG)                              | Input voltage falling                               | $V_{IL}$       | 0.8     | -        | -       | V       |
| Input Voltage, Logic Low (LATCH <sub>x</sub> )   |   |                | 0.6     | -        | -       |         |
| Input voltage, Logic High (P1-P3, $\overline{\text{OFF}}_x$ )                                  | Input voltage rising                                | $V_{IH}$       | -       | -        | 2.0     |         |
| Input Voltage, Logic High (CFG)  |   |                | -       | -        | 3.0     |         |
| Input Voltage, Logic High (LATCH <sub>x</sub> )  |   |                | -       | -        | 1.1     |         |
| Input Leakage Current, Logic High ( $\overline{\text{OFF}}_x$ )                                | $V_{DD} = 5.25V, V_{BAT} = -72V, V_{IH} = 5V$       | $I_{IH}$       | 15      | 32       | 60      |         |
| Input Leakage Current, Logic High (P1-P3, LATCH <sub>x</sub> , CFG)                            | $V_{DD} = 5.25V, V_{BAT} = -72V, V_{IH} = 5V$       | $I_{IH}$       | -       | -        | 20      | $\mu A$ |
| Input leakage current, Logic Low (P1-P3, LATCH <sub>x</sub> , $\overline{\text{OFF}}_x$ , CFG) | $V_{DD} = 5.25V, V_{BAT} = -72V, V_{IL} = 0V$       | $I_{IL}$       | -       | -        | 20      | $\mu A$ |
| Input leakage current, TSD <sub>x</sub> Logic High   | $V_{DD} = 5.25V, V_{BAT} = -72V, V_{IH} = 2.4V$     | $I_{IH}$       | 10      | 16       | 30      | $\mu A$ |
| Input leakage current, TSD <sub>x</sub> Logic low  | $V_{DD} = 5.25V, V_{BAT} = -72V, V_{IL} = 0.4V$     | $I_{IL}$       | 10      | 16       | 30      | $\mu A$ |
| <b>Output Characteristics</b>  |   |                |         |          |         |         |
| Output voltage, TSD <sub>x</sub> Logic High  | $V_{DD} = 5.25V, V_{BAT} = -72V, I_{TSD} = 10\mu A$ | $V_{TSD\_off}$ | 2.4     | $V_{DD}$ | -       | V       |
| Output voltage, TSD <sub>x</sub> Logic Low   | $V_{DD} = 5.25V, V_{BAT} = -72V, I_{TSD} = 1mA$     | $V_{TSD\_on}$  | -       | 0        | 0.4     | V       |

1.9 Voltage and Power Specifications

| Parameter   | Test Conditions  | Symbol    | Minimum              | Typical           | Maximum          | Unit    |
|---|--|-----------|----------------------|-------------------|------------------|---------|
| <b>Voltage Requirements</b>   |  |           |                      |                   |                  |         |
| $V_{DD}$  | -  | $V_{DD}$  | 4.75                 | 5.0               | 5.25             | V       |
| $V_{BAT}^1$   | -  | $V_{BAT}$ | -19                  | -48               | -72              | V       |
| <sup>1</sup> $V_{BAT}$ is used only for internal protection circuitry. If $V_{BAT}$ rises above -10 V, the device will enter the all-off state and will remain in the all-off state until the battery drops below approximately -15V. |  |           |                      |                   |                  |         |
| <b>Power Specifications</b>   |  |           |                      |                   |                  |         |
| Power consumption   | $V_{DD} = 5V, V_{BAT} = -48V, V_{IH} = 2.4V, V_{IL} = 0.4V$ , Measure $I_{DD}$ and $I_{BAT}$ |           |                      |                   |                  | mW      |
|   | Idle/Talk State  | P         | -                    | -                 | 15 <sup>3</sup>  |         |
|   | All-Off State <sup>2</sup>   |           | -                    | -                 | 7.5 <sup>3</sup> |         |
| Ringing or Test Access State  | -  |           | -                    | 20 <sup>3</sup>   |                  |         |
| $V_{DD}$ Current  | $V_{DD} = 5V, V_{BAT} = -48V, V_{IH} = 2.4V, V_{IL} = 0.4V$                                  |           |                      |                   |                  | mA      |
|   | Idle/Talk State  | $I_{DD}$  | -                    | 1.6 <sup>3</sup>  | 3.0              |         |
|   | All-Off State  |           | -                    | 0.75 <sup>3</sup> | 1.5              |         |
| Ringing or Test Access State  | -  |           | 1.8/1.5 <sup>3</sup> | 4.0               |                  |         |
| $V_{BAT}$ Current   | $V_{DD} = 5V, V_{BAT} = -48V, V_{IH} = 2.4V, V_{IL} = 0.4V$ , All States                     | $I_{BAT}$ | -                    | 4                 | 10               | $\mu A$ |
| <sup>2</sup> Controlled via $\overline{OFF}_x$ pins.  |  |           |                      |                   |                  |         |
| <sup>3</sup> Combined power or current of both channels, both channels in the same state. Typical values from simulation.   |  |           |                      |                   |                  |         |

1.10 Protection Circuitry Electrical Specifications

| Parameter  | Conditions   | Symbol         | Minimum | Typical | Maximum | Unit        |
|--|--|----------------|---------|---------|---------|-------------|
| <b>Protection Diode Bridge</b>   |  |                |         |         |         |             |
| Forward Voltage drop, continuous current (50/60 Hz)  | Apply $\pm$ DC current limit of break switches   | $V_F$          | -       | 2.1     | 3.0     | V           |
| Forward Voltage drop, surge current  | Apply $\pm$ dynamic current limit of break switches  | $V_F$          | -       | 5       | -       |             |
| <b>Temperature Shutdown Specifications<sup>1</sup></b>   |  |                |         |         |         |             |
| Shutdown activation temperature  | Not production tested - limits are guaranteed by design and Quality Control sampling audits. | $T_{TSD\_on}$  | 110     | 125     | 150     | $^{\circ}C$ |
| Shutdown circuit hysteresis  |  | $T_{TSD\_off}$ | 10      | -       | 25      | $^{\circ}C$ |
| <b>Loss of Battery Detector Threshold</b>  |  |                |         |         |         |             |
| Loss of Battery  |  |                | -19     | -10     | -5      | V           |
| Resumption of Battery  |  |                | =19     | -15     | -5      |             |
| <sup>1</sup> Temperature shutdown flag ( $T_{SDx}$ ) will be high during normal operation and low during temperature shutdown state. |  |                |         |         |         |             |

1.11 Truth Tables

1.11.1 Operating States: CFG=0

| State        | P3 | P2 | P1 | $\overline{\text{OFF}}_x$ <sup>1</sup> | Break Switches | Ringing Switches | Test Switches |
|--------------|----|----|----|--|----------------|------------------|---------------|
| Idle/Talk    | 0  | 0  | 0  | 1                                      | ON             | OFF              | OFF           |
| Test         | 0  | 0  | 1  | 1                                      | OFF            | OFF              | ON            |
| Ringing      | 0  | 1  | 0  | 1                                      | OFF            | ON               | OFF           |
| Test/Monitor | 0  | 1  | 1  | 1                                      | ON             | OFF              | ON            |
| Idle/Talk    | 1  | 0  | 0  | 1                                      | ON             | OFF              | OFF           |
| Test/Monitor | 1  | 0  | 1  | 1                                      | ON             | OFF              | ON            |
| Ringing      | 1  | 1  | 0  | 1                                      | OFF            | ON               | OFF           |
| Test Ringing | 1  | 1  | 1  | 1                                      | OFF            | ON               | ON            |
| All-Off      | x  | x  | x  | 0 <sup>2</sup>                         | OFF            | OFF              | OFF           |

<sup>1</sup> P1, P2, and P3 data input values are directed to a given channel when the respective LATCH<sub>x</sub> logic signal is set to "0."  
 $\overline{\text{OFF}}_x$  is a per-channel control.

<sup>2</sup> A "0" on  $\overline{\text{OFF}}_x$  resets the CPC75282, the device will remain in the All-Off state until  $\overline{\text{OFF}}_x$  is returned to "1" and the next LATCH<sub>x</sub> signal is applied.

<sup>3</sup> CFG is fixed at D<sub>GND</sub>; if CFG switches states when V<sub>DD</sub> is applied, the change will be recognized by a given channel after a LATCH low transition is applied to that channel.

1.11.2 Operating States: CFG=1

| State        | P3 | P2 | P1 | $\overline{\text{OFF}}_x$ <sup>1</sup> | Break Switches | Ringing Switches | Test Switches |
|--------------|----|----|----|--|----------------|------------------|---------------|
| Idle/Talk    | 0  | 0  | 0  | 1                                      | ON             | OFF              | OFF           |
| Test         | 0  | 0  | 1  | 1                                      | OFF            | OFF              | ON            |
| Ringing      | 0  | 1  | 0  | 1                                      | OFF            | ON               | OFF           |
| All-Off      | 0  | 1  | 1  | 1                                      | OFF            | OFF              | OFF           |
| Idle/Talk    | 1  | 0  | 0  | 1                                      | ON             | OFF              | OFF           |
| Test/Monitor | 1  | 0  | 1  | 1                                      | ON             | OFF              | ON            |
| Ringing      | 1  | 1  | 0  | 1                                      | OFF            | ON               | OFF           |
| Test Ringing | 1  | 1  | 1  | 1                                      | OFF            | ON               | ON            |
| All-Off      | x  | x  | x  | 0 <sup>2</sup>                         | OFF            | OFF              | OFF           |

<sup>1</sup> P1, P2, and P3 data input values are directed to a given channel when the respective LATCH<sub>x</sub> logic signal is set to "0."  
 $\overline{\text{OFF}}_x$  is a per-channel control.

<sup>2</sup> A "0" on  $\overline{\text{OFF}}_x$  resets the CPC75282, the device will remain in the All-Off state until  $\overline{\text{OFF}}_x$  is returned to "1" and the next LATCH<sub>x</sub> signal is applied.

<sup>3</sup> CFG is fixed at v<sub>DD</sub>; if CFG switches states when V<sub>DD</sub> is applied, the change will be recognized by a given channel after a LATCH low transition is applied to that channel.

## 2. Functional Description

### 2.1 Introduction

The CPC75282 Dual LCAS device has six operating states:

- **Idle/Talk:** Break switches SW1 and SW2 closed, ringing switches SW3 and SW4 open, and test switches SW5 and SW6 open.
- **Ringng:** Break switches SW1 and SW2 open, ringing switches SW3 and SW4 closed, and test switches SW5 and SW6 open.
- **Test:** Break switches SW1 and SW2 open, ringing switches SW3 and SW4 open, and loop test switches SW5 and SW6 closed.
- **Test/Monitor:** Break switches SW1 and SW2 closed, ringing switches SW3 and SW4 open, and test switches SW5 and SW6 closed.
- **Test Ringng:** Break switches SW1 and SW2 open, ringing switches SW3 and SW4 closed, and test switches SW5 and SW6 closed.
- **All-off:** Break switches SW1 and SW2 open, ringing switches SW3 and SW4 open, and test switches SW5 and SW6 open.

See “**Truth Tables**” on page 11 for more information.

The CPC75282 offers break-before-make and make-before-break switching from the ringing state to the idle/talk state with simple logic input control. Solid-state switch construction means no impulse noise is generated when switching during ring cadence or ring trip, eliminating the need for external zero-cross switching circuitry. State control is via simple logic input so no additional driver circuitry is required. The linear break switches, SW1 and SW2, have exceptionally low  $R_{ON}$  and excellent matching characteristics. The ringing switch, SW4, has a minimum open contact breakdown voltage of 465V at +25°C sufficiently high with proper protection to prevent breakdown in the presence of a transient fault condition (i.e., passing the transient on to the ringing generator).

Integrated into the CPC75282 is an over-voltage clamping circuit, active current limiting, and a thermal shutdown mechanism to provide protection for the SLIC during a fault condition. Positive and negative lightning surge currents are reduced by the current limiting circuitry and hazardous potentials are diverted

away from the SLIC via the protection diode bridge. Power-cross potentials are also reduced by the current limiting and thermal shutdown circuits.

To protect the CPC75282 from an over-voltage fault condition, use of a secondary protector is required. The secondary protector must limit the voltage seen at the tip and ring terminals to a level below the maximum breakdown voltage of the switches. To minimize the stress on the solid-state contacts, use of a foldback or crowbar type secondary protector is highly recommended. With proper selection of the secondary protector, a line card using the CPC75282 will meet all relevant ITU, LSSGR, TIA/EIA and IEC protection requirements.

The CPC75282 operates from a single +5V supply. This gives the device extremely low idle and active power consumption with virtually any range of battery voltage. The battery voltage used by the CPC75282 has a two-fold function. For protection purpose it is used as a fault condition current source during a negative lightning event. Second, it is used as a reference so that in the event of battery voltage loss, the CPC75282 will enter the All-Off state.

### 2.2 Under Voltage Switch Lock-Out Circuitry

Smart logic in the CPC75282 now provides for switch state control during both power up and power loss transitions. An internal detector is used to evaluate the  $V_{DD}$  supply to determine when to de-assert the under-voltage switch lock-out circuitry with a rising  $V_{DD}$  and when to assert the under-voltage switch lock-out circuitry with a falling  $V_{DD}$ . Any time unsatisfactory low  $V_{DD}$  conditions exist, the lock-out circuit overrides user switch control by blocking the information at the external input pins, and conditioning internal switch commands to the All-Off state. Upon restoration of  $V_{DD}$ , the switches will remain in the All-Off state until the  $LATCH_x$  input is pulled low.

The rising  $V_{DD}$  lock-out release threshold is internally set to ensure all internal logic is properly biased and functional before accepting external switch commands from the input to control the switch states. For a falling  $V_{DD}$  event, the lock-out threshold is set to assure proper logic and switch behavior up to the moment the switches are forced off and external inputs are suppressed.

### 2.3 Switch Logic

#### 2.3.1 Start-up

The CPC75282 uses smart logic to monitor the  $V_{DD}$  supply. Any time the  $V_{DD}$  is below an internally set threshold, the smart logic places the control logic to the all-off state until the  $LATCH_x$  input is pulled low. Prior to the assertion of a logic low at the  $LATCH_x$  pin, the switch control inputs must be properly conditioned.

#### 2.3.2 Switch Timing

When switching from the ringing state to the idle/talk state, the CPC75282 provides the ability to control the release timing of the ringing switches, SW3 and SW4, relative to the state of the switches, SW1 and SW2, using simple logic inputs. The two available techniques are referred to as make-before-break and break-before-make operation. When the break switch contacts of SW1 and SW2 are closed (made) before the ringing switch contacts of SW3 and SW4 are opened (broken), this is referred to as make-before-break operation. Break-before-make operation occurs when the ringing contacts of SW3 and SW4 are opened (broken) before the switch contacts of SW1 and SW2 are closed (made).

With the CPC75282, make-before-break and break-before-make operations can easily be accomplished by applying the proper sequence of logic-level inputs to the device.

The logic sequences for either mode of operation are given in “**Make-Before-Break Operation Logic Table (Ringing to Talk Transition)**” on page 13 and “**Break-Before-Make Ringing to Talk Transition Logic Sequence CPC7592xA/B**” on page 14. Logic states and explanations are shown in “**Truth Tables**” on page 11.

#### 2.3.3 Make-Before-Break Operation

To use make-before-break operation, change the logic inputs from the ringing state directly to the idle/talk state. Application of the idle/talk state opens the ringing return switch, SW3, as the break switches, SW1 and SW2, close. The ringing switch, SW4, remains closed until the next zero-crossing of the ringing current. While in the make-before-break state, ringing potentials in excess of the CPC75282 protection circuitry thresholds will be diverted away from the SLIC.

2.3.4: Make-Before-Break Operation Logic Table (Ringing to Talk Transition)

| State             | (CFG=0, P3=0)<br>P2 | P1 | $LATCH_x$ | $\overline{OFF}_x$ | Timing   | Break Switches<br>$1_x$ & $2_x$ | Ringing Return Switch<br>$3_x$ | Ringing Switch<br>$4_x$ | Test Switches<br>$5_x$ & $6_x$ |
|-------------------|---------------------|----|-----------|--------------------|--|---------------------------------|--------------------------------|-------------------------|--------------------------------|
| Ringing           | 1                   | 0  | 0         | 1                  | -  | Off                             | On                             | On                      | Off                            |
| Make-before-break | 0                   | 0  |           |                    | SW4 waiting for next zero-current crossing to turn off. Maximum time is one-half of the ringing cycle. In this transition state current limited by the DC break switch current limit value will be sourced from the ring node of the SLIC. | On                              | Off                            | On                      | Off                            |
| Idle/Talk         | 0                   | 0  |           |                    | Zero-cross current has occurred  | On                              | Off                            | Off                     | Off                            |

Break-before-make operation occurs when the ringing switches open before the break switches, SW1 and SW2, close.

2.3.5: Break-Before-Make Ringing to Talk Transition Logic Sequence CPC7592xA/B

| State   | CFG=0, P3=0<br>P2 | P1 | LATCH <sub>x</sub> | $\overline{\text{OFF}}_x$ | Timing  | Break Switches<br>1 <sub>x</sub> & 2 <sub>x</sub> | Ringing Return Switch<br>3 <sub>x</sub> | Ringing Switch<br>4 <sub>x</sub> | Test Switches<br>5 <sub>x</sub> & 6 <sub>x</sub> |
|---------|-------------------|----|--------------------|---------------------------|---|---|---|----------------------------------|--|
| Ringing | 1                 | 0  | 0                  | 1                         | -   | Off   | On                                      | On                               | Off  |
| All-Off | 1                 | 1  |                    | 0                         | Hold this state for at least one-half of the ringing cycle. SW4 waiting for zero current to turn off. | Off   | Off                                     | On                               | Off  |
| All-Off | 1                 | 1  |                    | 0                         | Zero current has occurred. SW4 has opened   | Off   | Off                                     | Off                              | Off  |
| Talk    | 0                 | 0  |                    | 1                         | Break switches close.   | On  | Off                                     | Off                              | Off  |

2.3.6 Break -Before- Make Operation

Break-before-make operation can be achieved using  $\overline{\text{OFF}}_x$  to disable all of the switches when pulled to a logic low. Although logically disabled, an active (closed) ringing switch, SW4, will remain closed until the next zero crossing current event.

1. Pull  $\overline{\text{OFF}}_x$  to a logic low to end the ringing state. This opens the ringing return switch, SW3, and prevents any other switches from closing.
2. Keep  $\overline{\text{OFF}}_x$  low for at least one-half the duration of the ringing cycle period to allow sufficient time for a zero crossing current event to occur and for the circuit to enter the break-before-make state.
3. During the  $\overline{\text{OFF}}_x$  low period, set the P1, P2, and P3 inputs to the idle/talk state.
4. Release  $\overline{\text{OFF}}_x$ , allowing the internal pull-up to activate the break switches.

2.4 Data Latch

The CPC75282 has integrated transparent data latches. The latch enable operation is controlled by logic input levels at the LATCH<sub>x</sub> pin. Data input to the latch is via the input pins P1, P2, and P3 while the outputs of the data latch are internal nodes used for state control. When the latch enable control pin is at a logic 0 the data latch is transparent and the input control signals flow directly through the data latch to the state control circuitry. A change in input will be reflected by a change in the switch states.

Whenever the latch enable control pin is at logic 1, the data latch is active and data is locked. Subsequent changes to the input controls P1, P2, and P3 will not result in a change to the control logic or affect the existing switch states.

The switches will remain in the state they were in when the LATCH<sub>x</sub> changes from logic 0 to logic 1, and will not respond to changes in input as long as the LATCH<sub>x</sub> is at logic 1. However, neither the T<sub>SDx</sub> nor the  $\overline{\text{OFF}}_x$  are affected by the latch function. Since internal thermal shutdown control and external  $\overline{\text{OFF}}_x$  control is not affected by the state of the latch enable input, T<sub>SDx</sub> and  $\overline{\text{OFF}}_x$  will override state control.

2.5 T<sub>SD</sub> Pin Description

The T<sub>SDx</sub> pins are bidirectional I/O structures with internal pull-up resistors sourced from V<sub>DD</sub>. As outputs, these pins indicate the status of the thermal shutdown circuitry for the associated channels. Typically, during normal operation, these pins will be pulled up to V<sub>DD</sub>, but, under fault conditions that create excess thermal loading, the channels will enter thermal shutdown and a logic low will be output.

As inputs, the T<sub>SDx</sub> pins are utilized to place the channel into the All-Off state by simply pulling the input low. For applications using low-voltage logic devices (lower than V<sub>DD</sub>), IXYS Integrated Circuits Division recommends the use of an open-collector or an open-drain type output to control T<sub>SDx</sub>. This avoids

sinking the  $T_{SDx}$  pull up bias current to ground during normal operation when the All-Off state is not required. If  $T_{SDx}$  is set to a logic 1 or tied to  $V_{CC}$ , the channel just ignores this input, and still enters the thermal shutdown state at high temperature.

## 2.6 Ringing Switch Zero-Cross Current Turn Off

After the application of a logic input to turn SW4 off, the ringing switch is designed to delay the change in state until the next zero-crossing. Once on, the switch requires a zero-current cross to turn off, and therefore should not be used to switch a pure DC signal. The switch will remain in the on state no matter the logic input until the next zero crossing. These switching characteristics will reduce and possibly eliminate overall system impulse noise normally associated with ringing switches. See IXYS Integrated Circuits Division's application note, AN-144, Impulse Noise Benefits of Line Card Access Switches, for more information. The attributes of ringing switch, SW4, may make it possible to eliminate the need for a zero-cross switching scheme. A minimum impedance of  $300\Omega$  in series with the ringing generator is recommended.

## 2.7 Power Supplies

Both a +5V supply and battery voltage are connected to the CPC75282. Switch state control is powered exclusively by the +5V supply. As a result, the CPC75282 exhibits extremely low power consumption during active and idle states. Although battery power is not used for switch control, it is required to supply current during negative overvoltage fault conditions at tip and ring.

## 2.8 Battery Voltage Monitor

The CPC75282 also uses the  $V_{BAT}$  voltage to monitor battery voltage. If system battery voltage is lost, both channels of the CPC75282 immediately enter the All-Off state. It remains in this state until the battery voltage is restored. The device also enters the All-Off state if the battery voltage rises more positive than about  $-10V$  with respect to ground and remains in the All-Off state until the battery voltage drops below approximately  $-15V$  with respect to ground. This

battery monitor feature draws a small current from the battery (less than  $1\mu A$  typical) and will add slightly to the device's overall power dissipation.

## 2.9 Protection

### 2.9.1 Diode Bridge

Both channels of the CPC75282 use a combination of current limited break switches, a diode bridge, and a thermal shutdown mechanism to protect the SLIC device or other associated circuitry from damage during line transient events, such as lightning. During a positive transient condition, the fault current is conducted through the diode bridge to ground via  $F_{GND}$ . Voltage is clamped to a diode drop above ground. Negative lightning is directed to battery via steering diodes in the diode bridge. For power induction or power-cross fault conditions, the positive cycle of the transient is clamped to a diode drop above ground and the fault current directed to ground. The negative cycle of the transient is steered to battery. Fault currents are limited by the current-limit circuit.

### 2.9.2 Current Limiting function

If a lightning strike transient occurs when the device is in the Idle/Talk state, the current is passed along the line to the integrated protection circuitry, and restricted by the dynamic current limit response of the active switches. During the Idle/Talk state, when a  $1000V$   $10 \times 1000\mu s$  lightning pulse (GR-1089-CORE lightning) is applied to the line through a properly clamped external protector, the current seen at  $T_{LINE}$  and  $R_{LINE}$  will be a pulse with a typical magnitude of  $2.5A$  and a duration less than  $0.5\mu s$ .

If a power-cross fault occurs with the device in the Idle/Talk state, the current is passed through break switches, SW1 and SW2, on to the integrated protection circuit, but is limited by the DC current limit response of the two break switches. The DC current limit is dependent on the switch differential voltage, as shown in **“Figure 2: Switches 1-3” on page 17**. Note that the current limit circuitry has a negative temperature coefficient. As a result, if the device is subjected to extended heating due to a power cross fault condition, the measured current at  $T_{LINE}$  and  $R_{LINE}$  will decrease as the device temperature

increases. If the device temperature rises sufficiently, the temperature shutdown mechanism will activate and the device will enter the All-Off state.

## 2.10 Thermal Shutdown

The thermal shutdown mechanism activates when the device die temperature reaches a minimum of 110°C, placing the device in the All-Off state regardless of logic input. During thermal shutdown events the T<sub>SDx</sub> pin will output a logic low with a nominal 0V level. A logic high is output from the T<sub>SDx</sub> pin during normal operation with a typical output level equal to V<sub>DD</sub>.

If presented with a short duration transient, such as a lightning event, the thermal shutdown feature will typically not activate. But in an extended power-cross event, the device temperature will rise and the thermal shutdown mechanism will activate forcing the switches to the All-Off state. At this point the current measured into T<sub>LINE</sub> or R<sub>LINE</sub> will drop to zero. Once the device enters thermal shutdown, it will remain in the All-Off state until the temperature of the device drops below the de-activation level of the thermal shutdown circuit. This permits the device to autonomously return to normal operation. If the transient has not passed, current will again flow up to the value allowed by the dynamic DC current limiting of the switches and

heating will resume, reactivating the thermal shutdown mechanism. This cycle of entering and exiting the thermal shutdown mode will continue as long as the fault condition persists. If the magnitude of the fault condition is great enough, the external secondary protector will activate, shunting the fault current to ground.

## 2.11 External Protection Elements

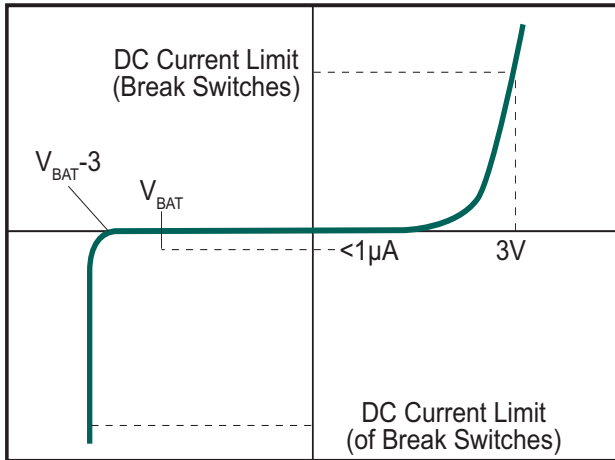
The CPC75282 requires only over-voltage secondary protection on the loop side of the device. The integrated protection feature described above negates the need for additional external protection on the SLIC side. The secondary protector must limit voltage transients to levels that do not exceed the breakdown voltage or input-output isolation barrier of the CPC75282. A foldback or crowbar type protector is recommended to minimize stresses on the CPC75282.

Consult IXYS Integrated Circuits Division's application note, AN-100, "Designing Surge and Power Fault Protection Circuits for Solid State Subscriber Line Interfaces," for equations related to the specifications of external secondary protectors, fused resistors, and PTCs.

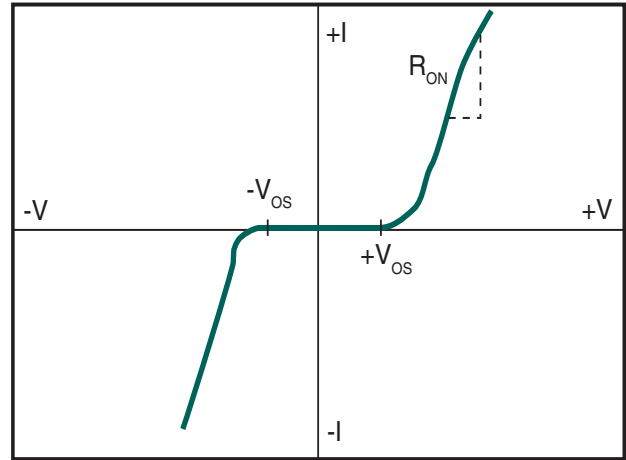


### 3. Typical Performance Characteristics

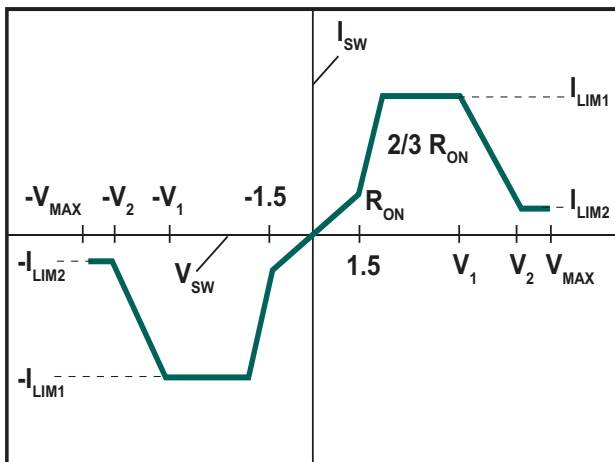
3.1 Figure 1: Protection Circuit



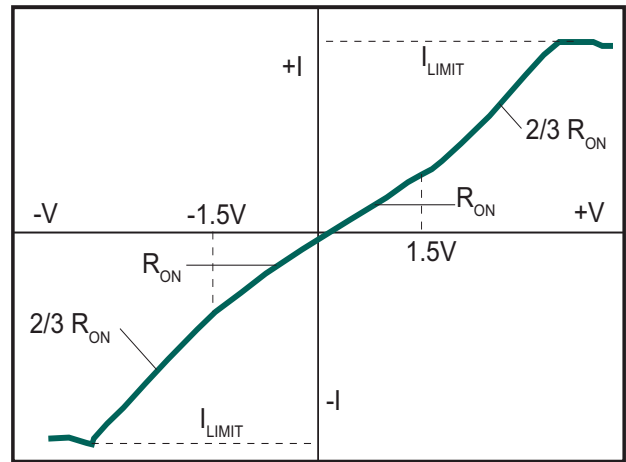
3.3 Figure 3: Switch 4



3.2 Figure 2: Switches 1-3



3.4 Figure 4: Switches 5-6



## 4. Manufacturing Information

### 4.1 Moisture Sensitivity



All plastic encapsulated semiconductor packages are susceptible to moisture ingress. IXYS Integrated Circuits Division classified all of its plastic encapsulated devices for moisture sensitivity according to the latest version of the joint industry standard, **IPC/JEDEC J-STD-020**, in force at the time of product evaluation. We test all of our products to the maximum conditions set forth in the standard, and guarantee proper operation of our devices when handled according to the limitations and information in that standard as well as to any limitations set forth in the information or standards referenced below.

Failure to adhere to the warnings or limitations as established by the listed specifications could result in reduced product performance, reduction of operable life, and/or reduction of overall reliability.

This product carries a **Moisture Sensitivity Level (MSL) rating** as shown below, and should be handled according to the requirements of the latest version of the joint industry standard **IPC/JEDEC J-STD-033**.

| Device     | Moisture Sensitivity Level (MSL) Rating |
|------------|---|
| CPC75282KA | MSL 1                                   |

### 4.2 ESD Sensitivity



This product is **ESD Sensitive**, and should be handled according to the industry standard **JESD-625**.

### 4.3 Reflow Profile

This product has a maximum body temperature and time rating as shown below. All other guidelines of **J-STD-020** must be observed.

| Device     | Maximum Temperature x Time |
|------------|----------------------------|
| CPC75282KA | 260°C for 30 seconds       |

### 4.4 Board Wash

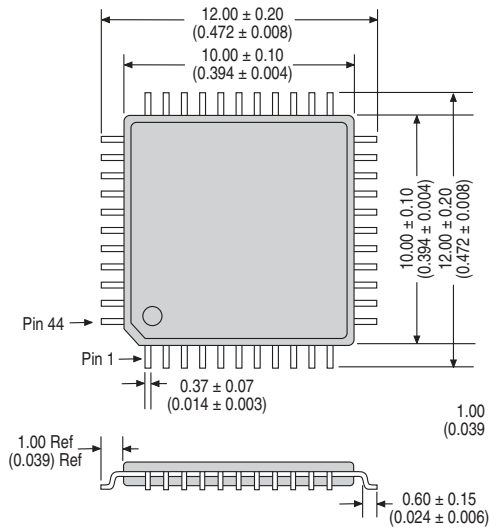
IXYS Integrated Circuits Division recommends the use of no-clean flux formulations. However, board washing to remove flux residue is acceptable, and the use of a short drying bake may be necessary. Chlorine-based or Fluorine-based solvents or fluxes should not be used. Cleaning methods that employ ultrasonic energy should not be used.



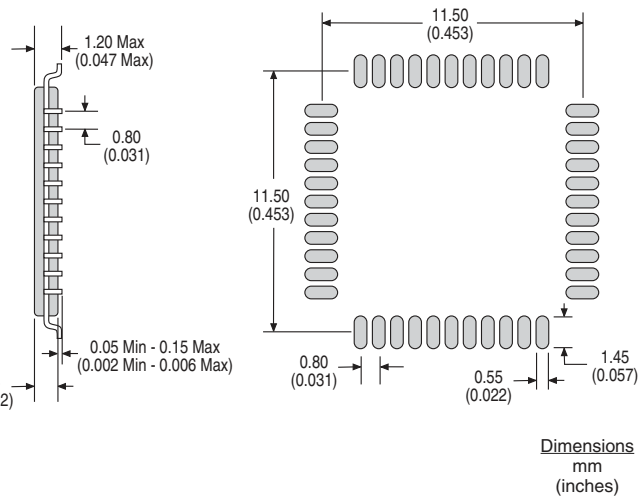
### 4.5 Mechanical Dimensions

#### 4.5.1 CPC75282KA Package

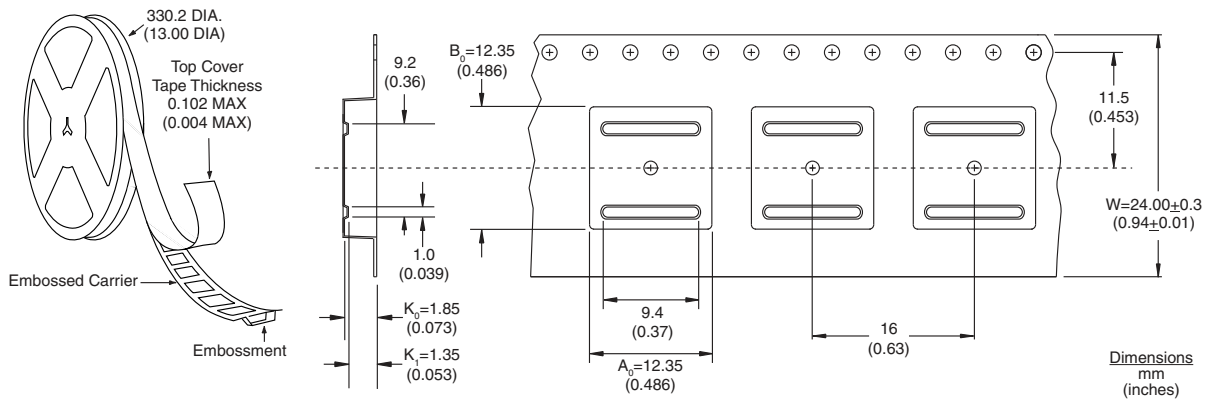
44-Pin TQFP Package



Recommended PCB Land Pattern



#### 4.5.2 CPC75282KATR Tape & Reel



For additional information please visit [www.ixysic.com](http://www.ixysic.com)

IXYS Integrated Circuits Division makes no representations or warranties with respect to the accuracy or completeness of the contents of this publication and reserves the right to make changes to specifications and product descriptions at any time without notice. Neither circuit patent licenses nor indemnity are expressed or implied. Except as set forth in IXYS Integrated Circuits Division's Standard Terms and Conditions of Sale, IXYS Integrated Circuits Division assumes no liability whatsoever, and disclaims any express or implied warranty, relating to its products including, but not limited to, the implied warranty of merchantability, fitness for a particular purpose, or infringement of any intellectual property right.

The products described in this document are not designed, intended, authorized or warranted for use as components in systems intended for surgical implant into the body, or in other applications intended to support or sustain life, or where malfunction of IXYS Integrated Circuits Division's product may result in direct physical harm, injury, or death to a person or severe property or environmental damage. IXYS Integrated Circuits Division reserves the right to discontinue or make changes to its products at any time without notice.

Specifications: DS-CPC75282-R00E  
 © Copyright 2012, IXYS Integrated Circuits Division  
 All rights reserved. Printed in USA.  
 12/22/2012