

MATERIALS AND FINISHES

BODY, JAM NUT BRASS
PLATED GOLD

CENTER CONTACT BERYLLIUM COPPER
PLATED GOLD

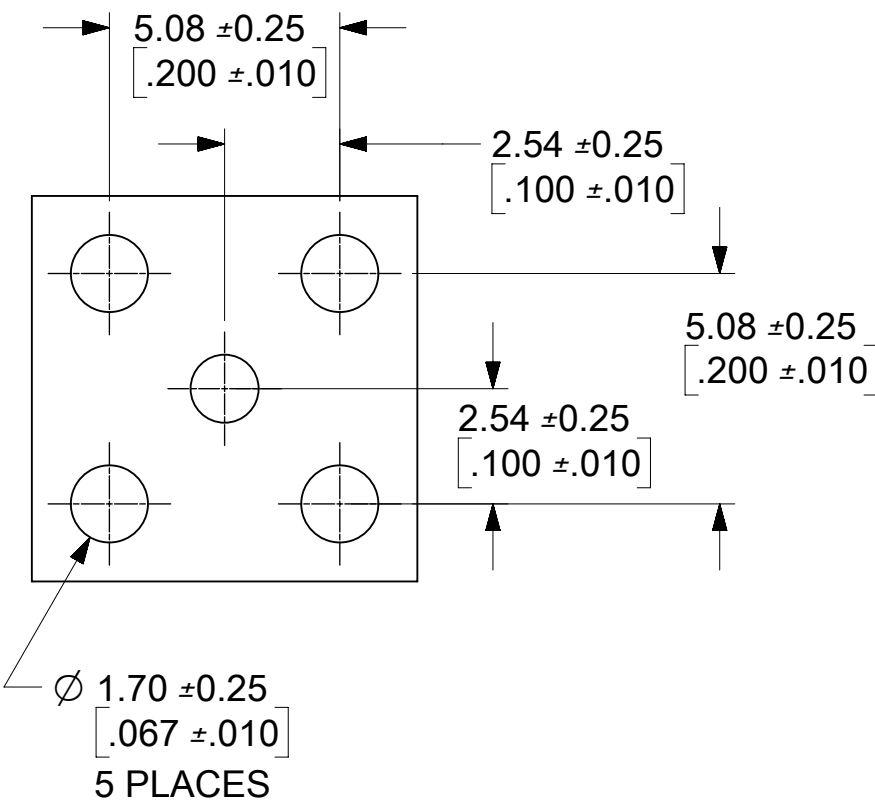
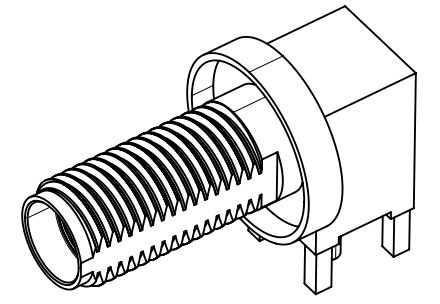
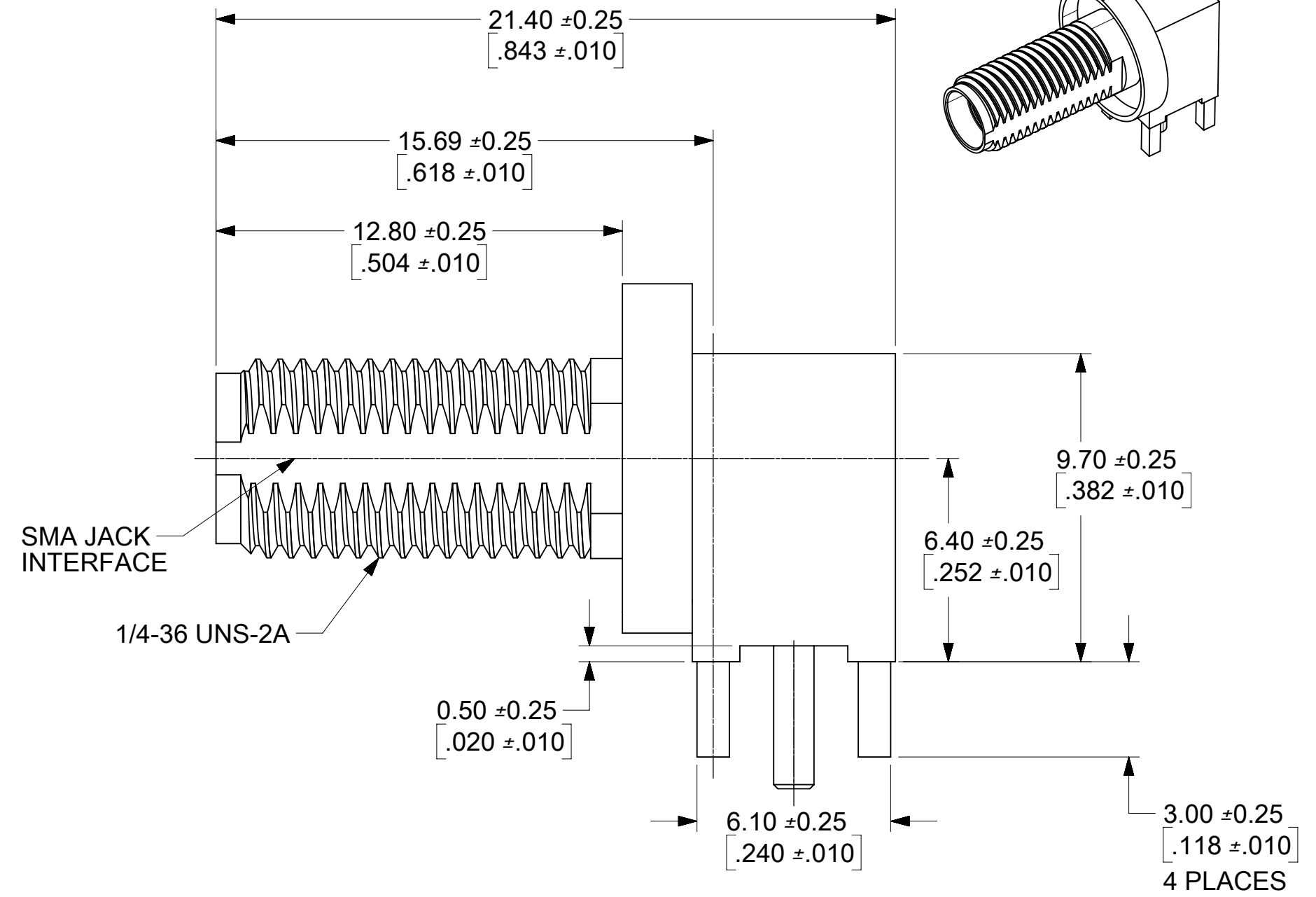
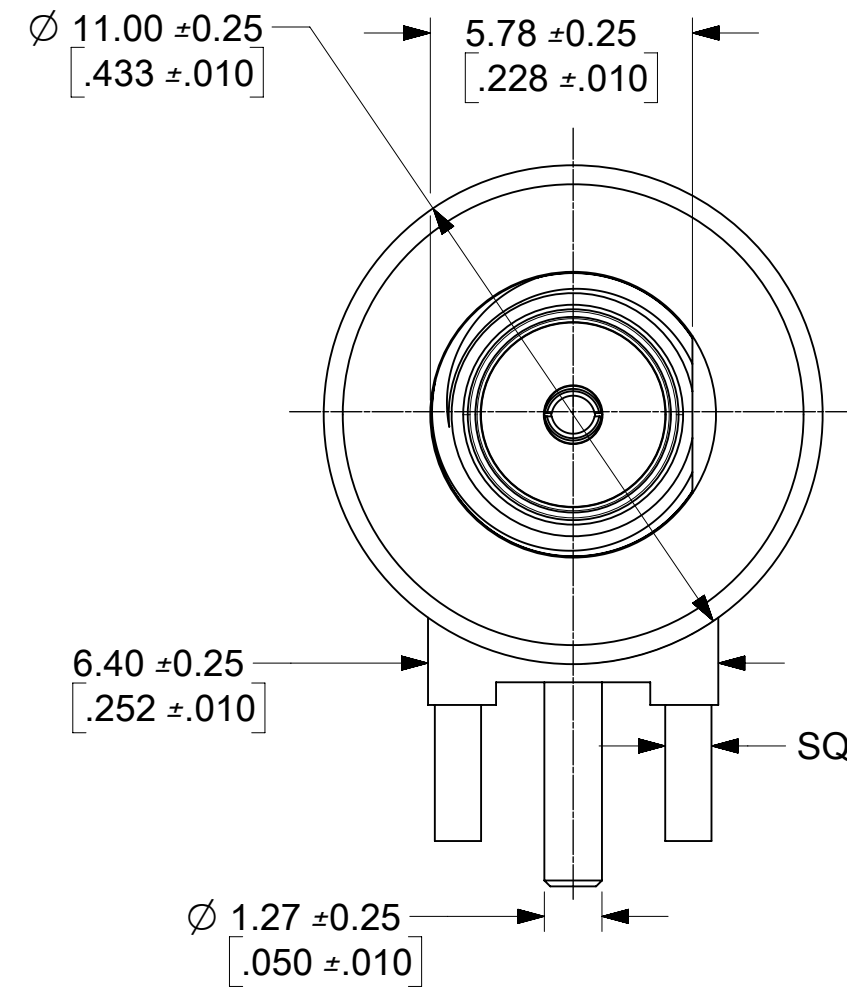
INSULATOR TEFLON

GASKET SILICONE RUBBER

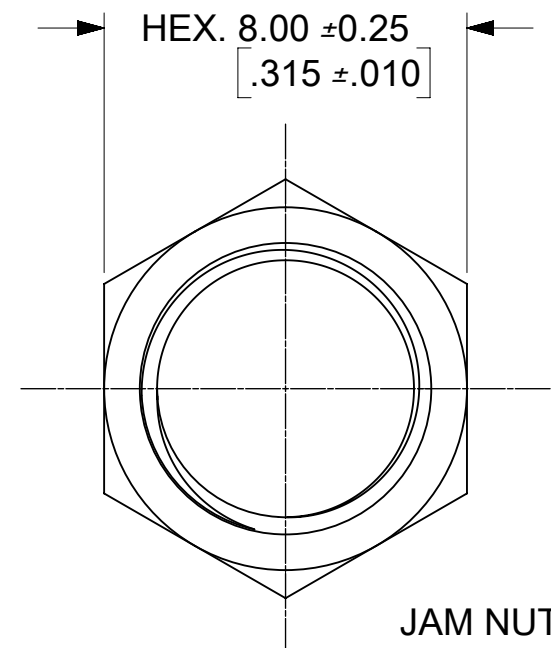
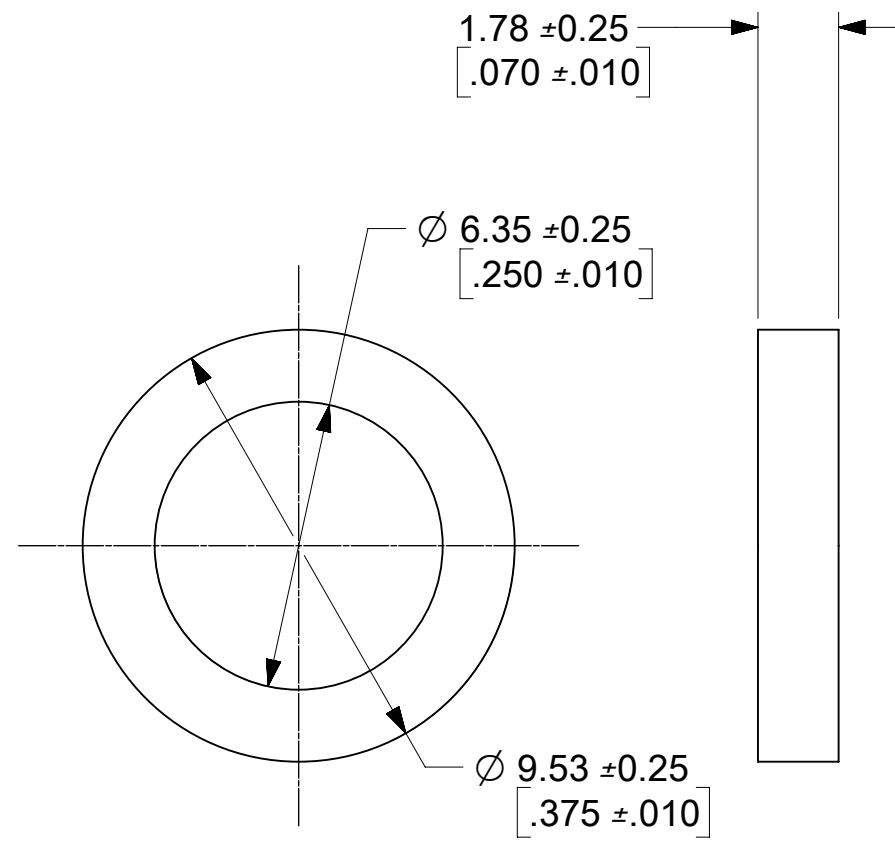
LOCKWASHER PHOSPHOR BRONZE
PLATING GOLD

NOTES:

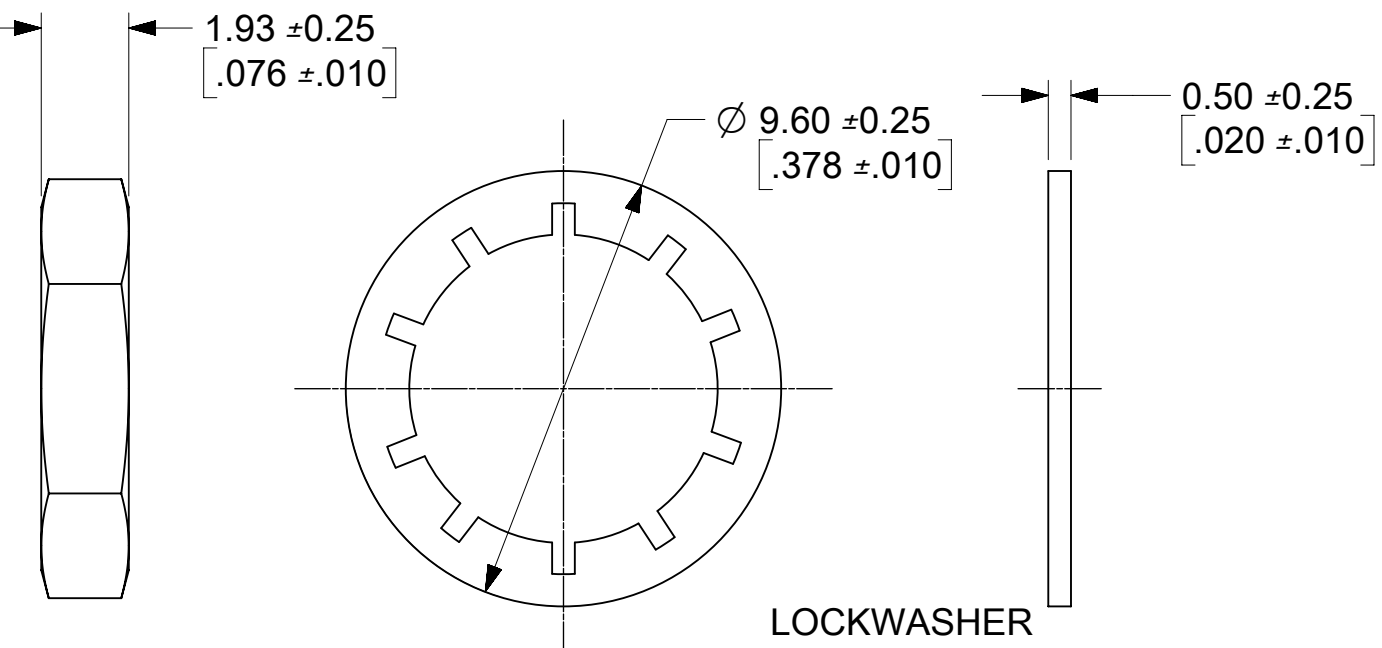
1. FREQUENCY RANGE 0~12.4GHZ
2. THE CONNECTOR MEET 48 HOURS SALT SPRAY.
3. THE CONNECTOR IS ROHS COMPLIANT PART



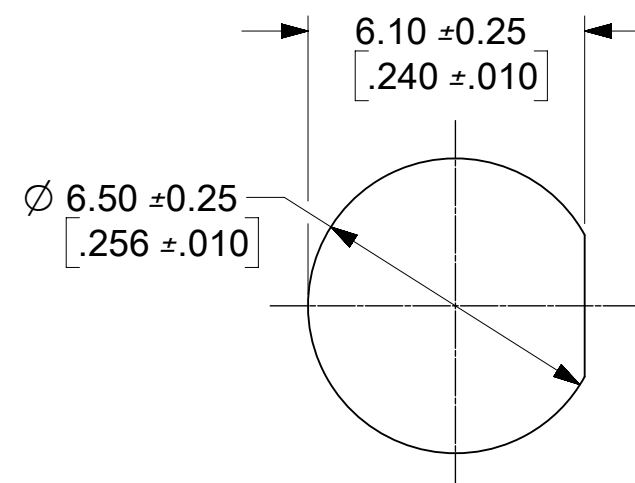
RECOMMENDED PCB HOLE CONFIGURATION



JAM NUT



LOCKWASHER



RECOMMENDED PCB HOLE CONFIGURATION

PS-89675-3460	PRODUCT SPEC.
SPECIFICATION	DESCRIPTION

SYMBOLS ▽ = 0 ▽ = 0 ▽ = 0 ▽ = 0 ▽ = 0 ▽ = 0 ▽ = 0 ▽ = 0 ▽ = 0 ▽ = 0 ▽ = 0	THIS DRAWING CONTAINS INFORMATION THAT IS PROPRIETARY TO MOLEX ELECTRONIC TECHNOLOGIES, LLC AND SHOULD NOT BE USED WITHOUT WRITTEN PERMISSION. DIMENSION UNITS: HYBRID SCALE:	CURRENT REV DESC: MIGRATED TO NX EC NO: 175545 DRWN: SMAHESHBABU 2018/03/26 CHK'D: CWEI02 2018/04/25 APPR: YCHENG 2018/04/26			
	GENERAL TOLERANCES (UNLESS SPECIFIED) ANGULAR TOL ± 2.0° 4 PLACES ± 3 PLACES ± 2 PLACES ± 1 PLACE ± 0 PLACES ±	INITIAL REVISION: DRWN: ELIN 2010/03/03 APPR: MHUANG 2010/03/13	PRODUCT CUSTOMER DRAWING DOCUMENT NUMBER: SD-73251-523 DOC TYPE: PSD DOC PART: 001 REVISION: A1		
DRAFT WHERE APPLICABLE MUST REMAIN WITHIN DIMENSIONS THIRD ANGLE PROJECTION DRAWING: C-SIZE SERIES: 73251	MATERIAL NUMBER: 732515230 CUSTOMER: GENERAL MARKET SHEET NUMBER: 1 OF 1				

DOCUMENT STATUS	P1	RELEASE DATE	2018/04/26	01:26:11
-----------------	----	--------------	------------	----------