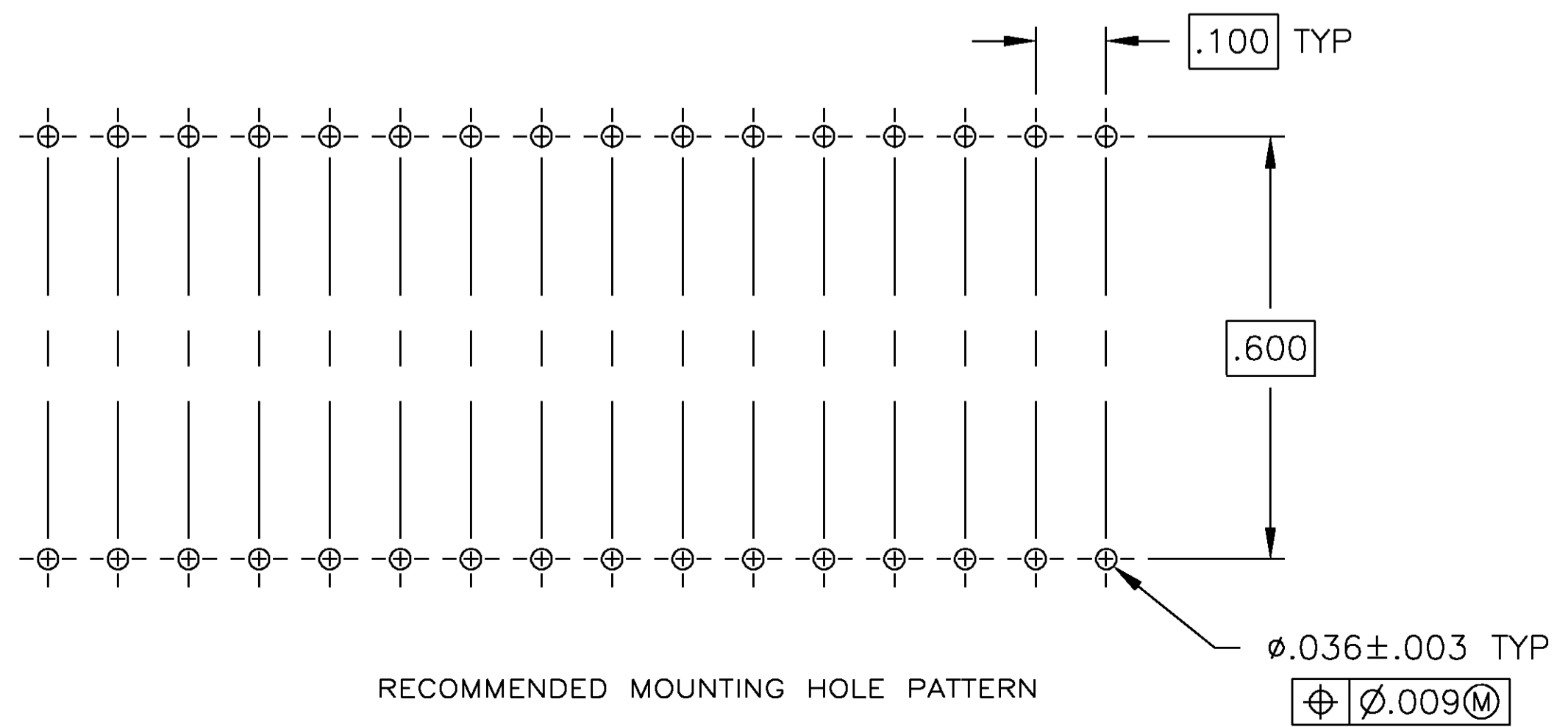
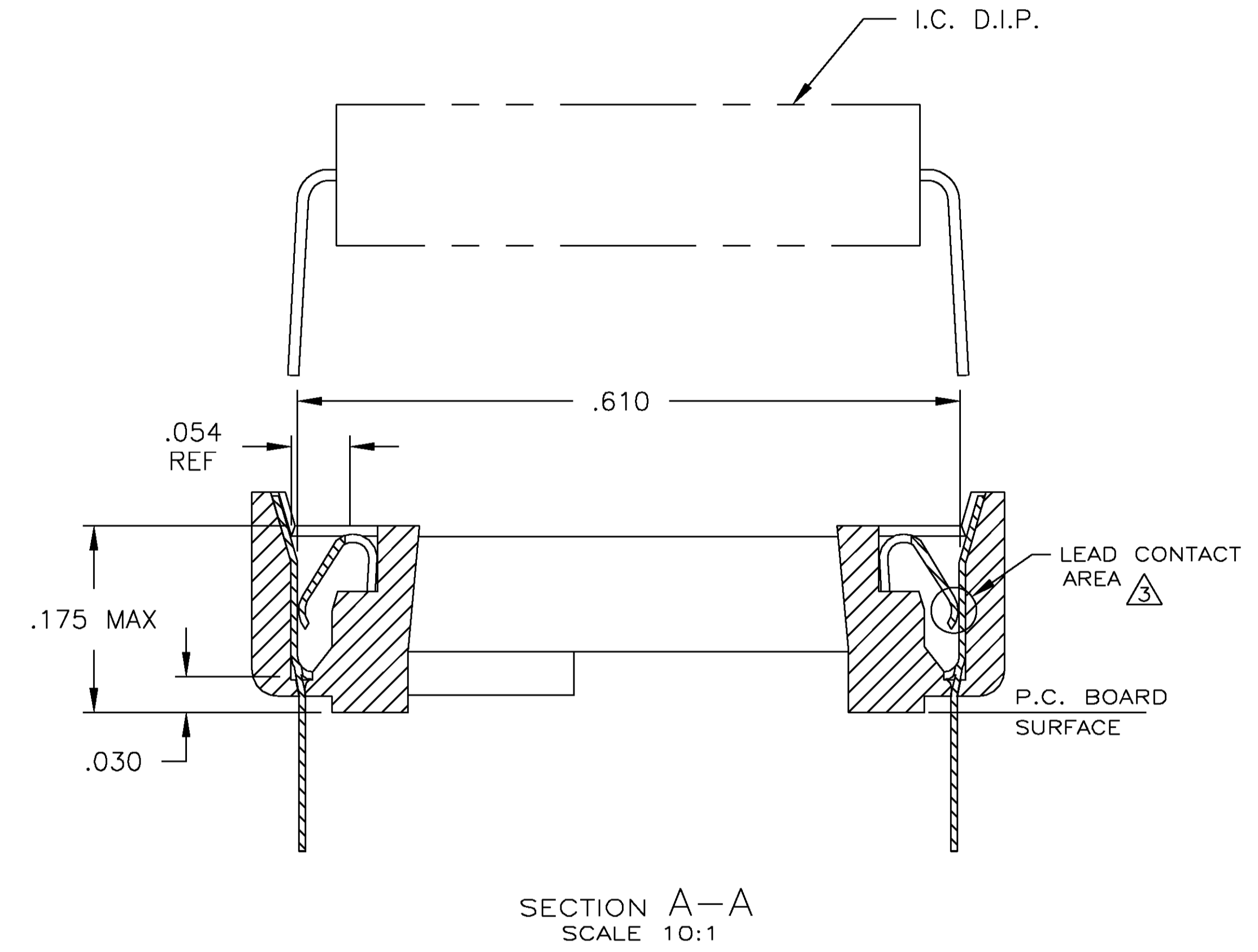
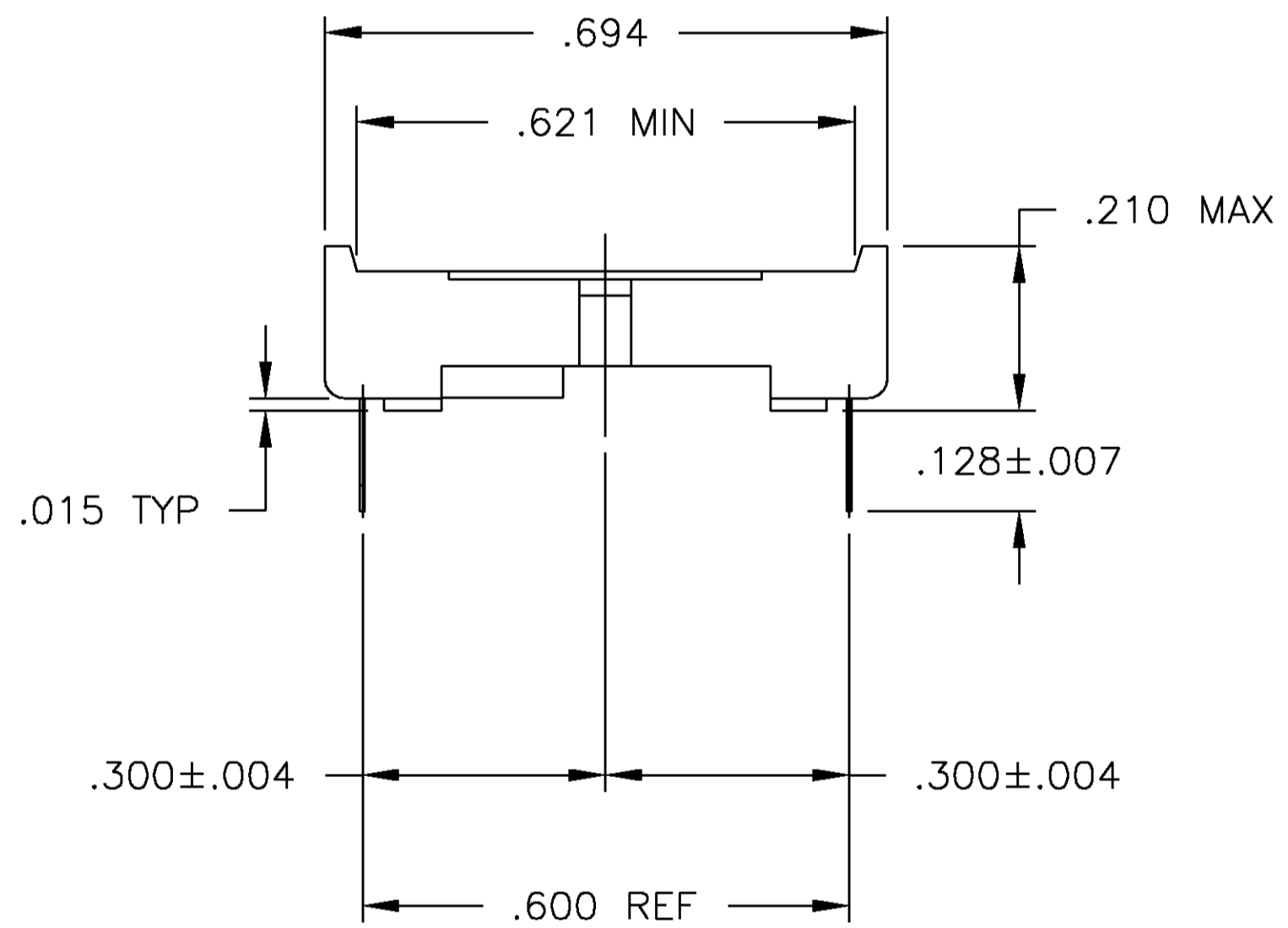
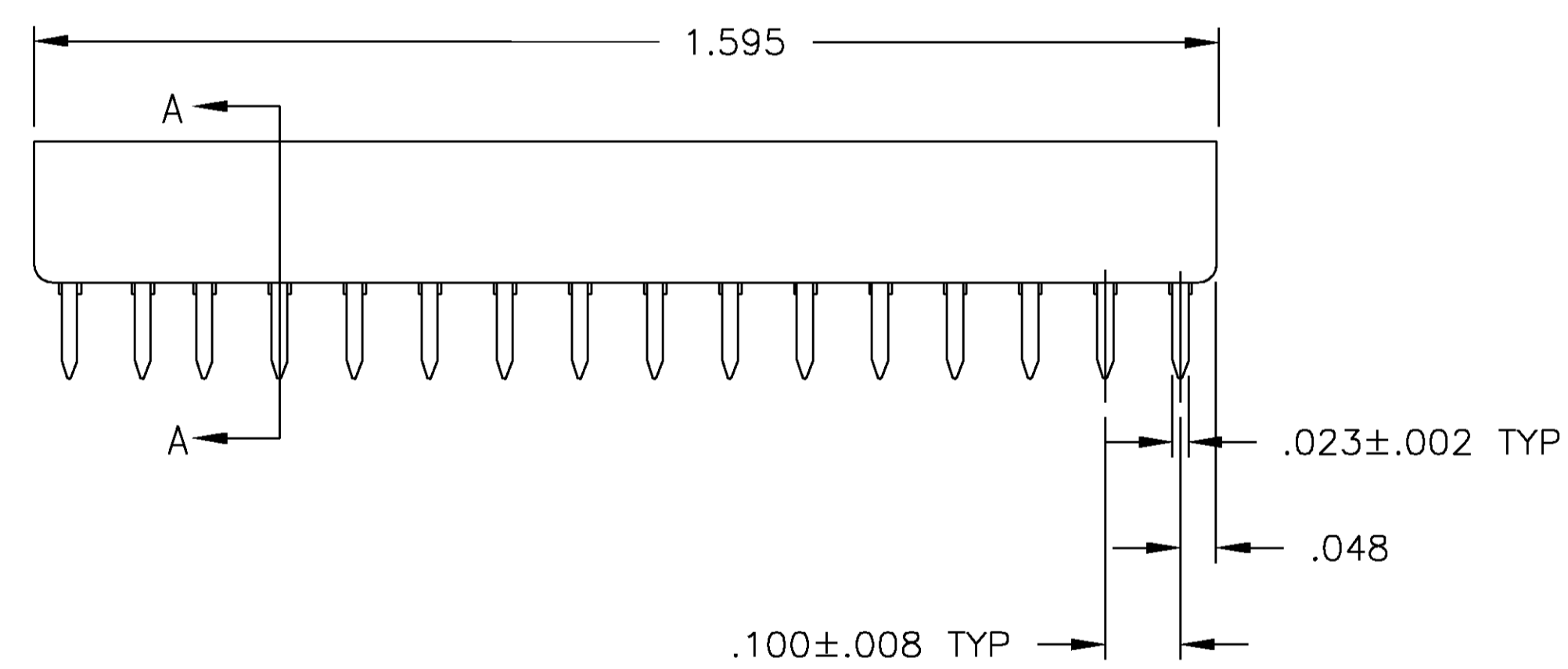
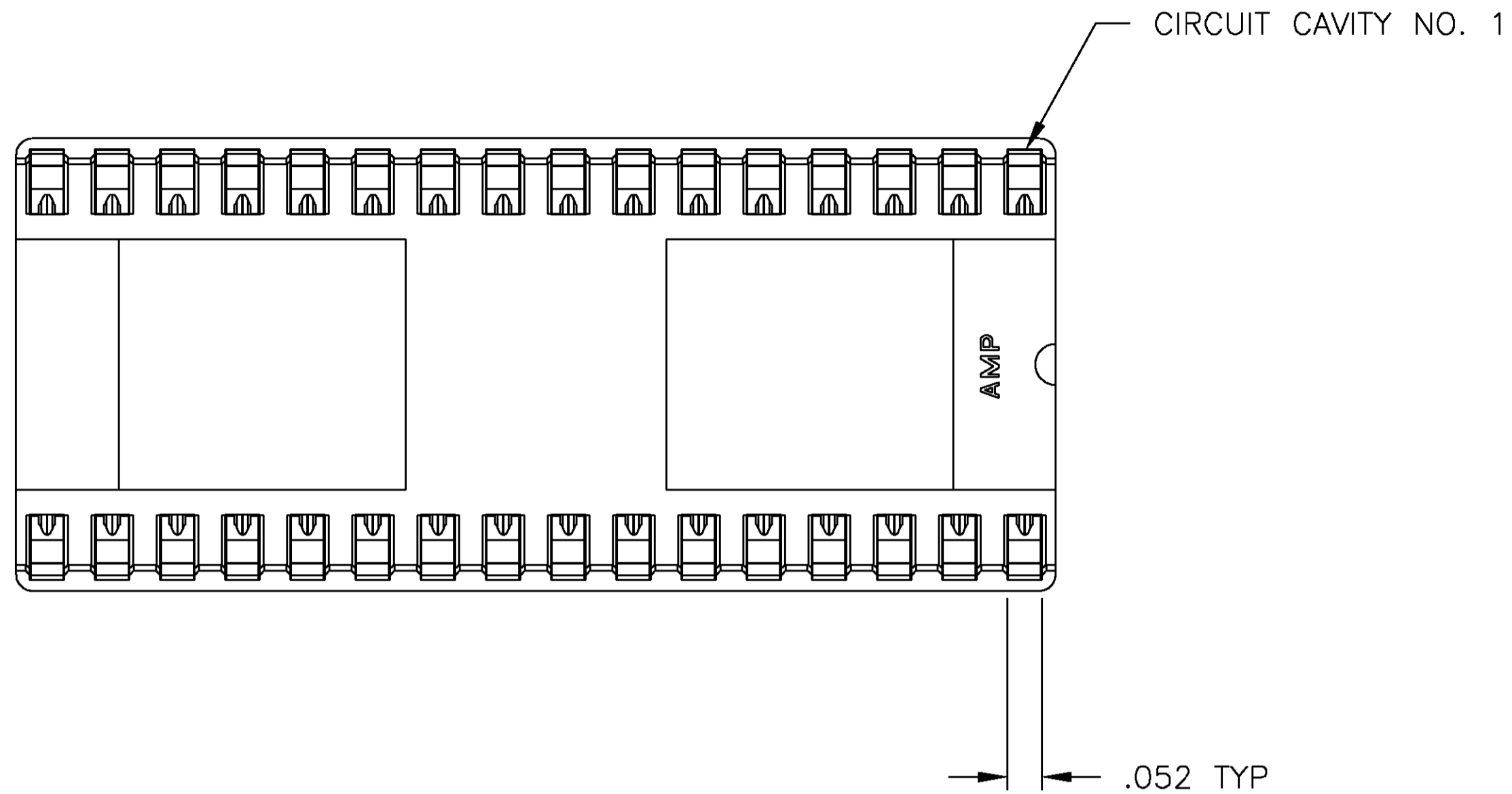


1. RECEPTACLE ACCEPTS A .008-.014 THICK I.C. LEAD.
2. TUBE LOADED.
3. TWO .000015 MIN THK. GOLD STRIPES IN CONTACT AREA WITH TIN-LEAD (93/7) ON SOLDER LEGS, BALANCE OF CONTACT NICKEL PLATED.



OBSOLETE	3	PHOS. BRZ	BROWN GLASS-FILLED PCT	2-382470-4
	TINNED	PHOS. BRZ	BROWN GLASS-FILLED PCT	2-382470-3
	TINNED	BE.CU.	BROWN GLASS-FILLED PCT	2-382470-1
	CONTACT FINISH	CONTACT MAT'L	HOUSING MATERIAL	PART NO.
THIS DRAWING IS A CONTROLLED DOCUMENT. <span style="float: right;">043401</span> DR: R BROWN DSK: H WYNKOOP APVD: H WYNKOOP PRODUCT SPEC: 108-1066 APPLICATION SPEC: 114-1052 MATERIAL: SEE TABLE FINISH: SEE TABLE WEIGHT: - CUSTOMER DRAWING				
DIMENSIONS: INCHES 0 PLC ± - 1 PLC ± - 2 PLC ± - 3 PLC ± .005 4 PLC ± - ANGLES ± -		TOLERANCES UNLESS OTHERWISE SPECIFIED: 0 PLC ± - 1 PLC ± - 2 PLC ± - 3 PLC ± .005 4 PLC ± - ANGLES ± -		Tyco Electronics Corporation Harrisburg, PA 17105 <b>AMP</b> SOCKET ASSY, DIP, HT, 32 POS, DIPLOMATE™ DL SIZE: A1 CAGE CODE: 00779 DRAWING NO: 382470 RESTRICTED TO: - SCALE: 5:1 SHEET: 1 OF 1 REV: G