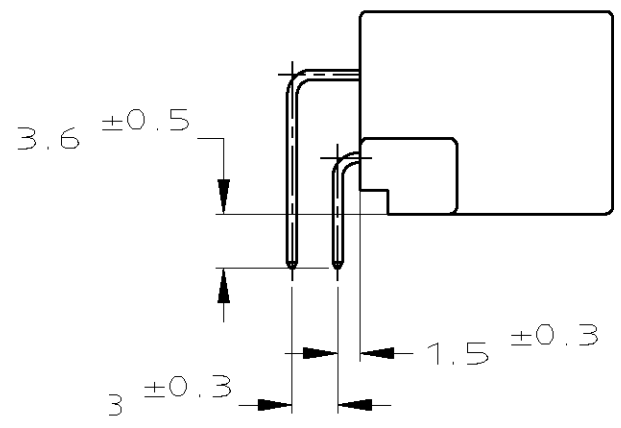
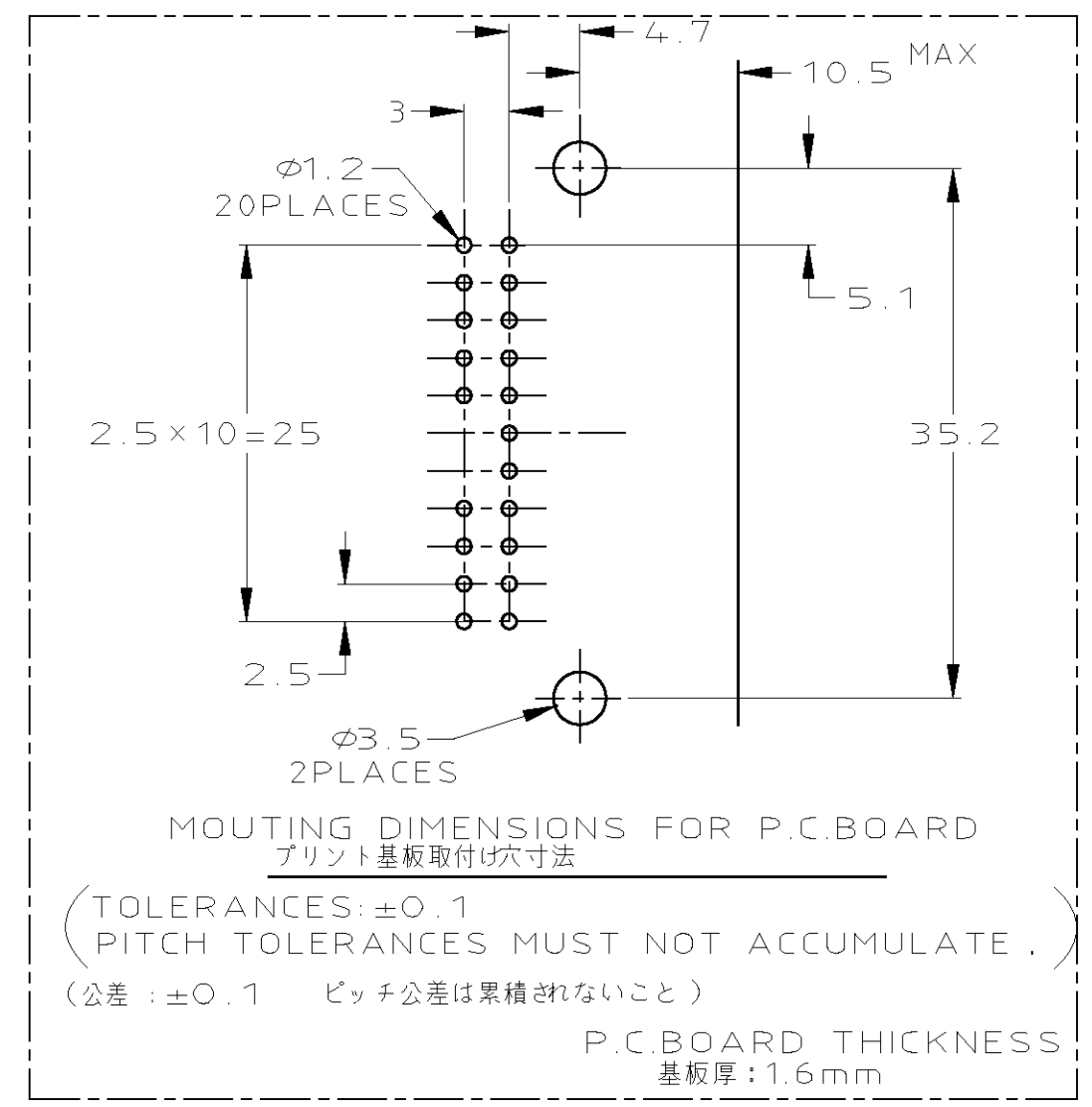
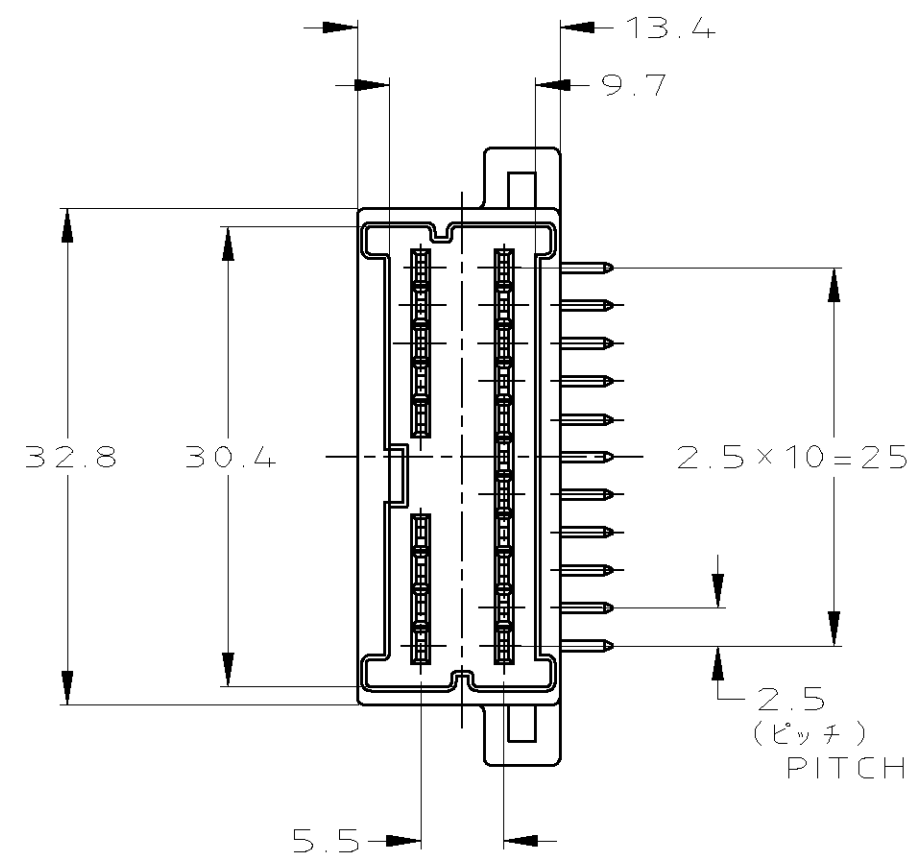
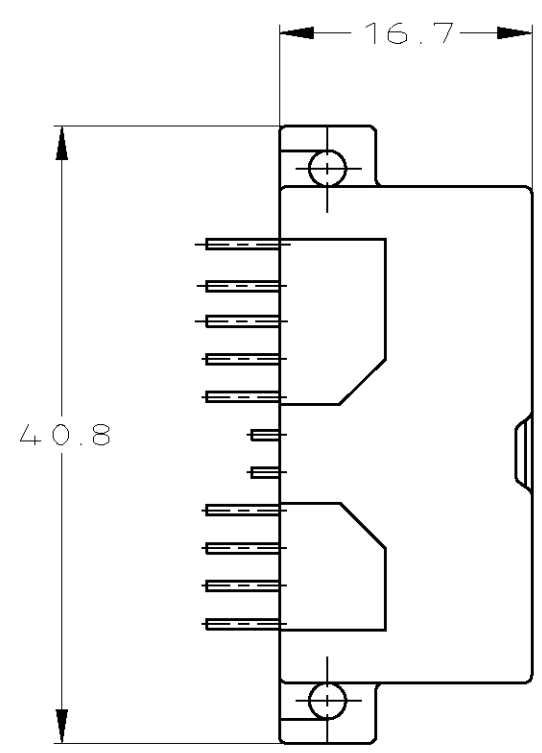


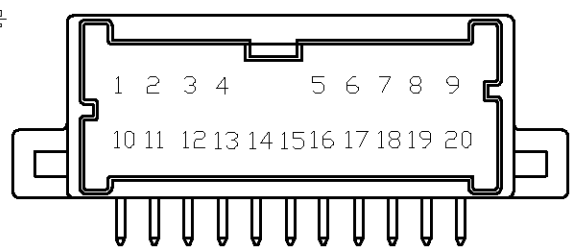
THIS DRAWING IS UNPUBLISHED. RELEASED FOR PUBLICATION
 © COPYRIGHT - By Tyco Electronics Japan G.K. ALL RIGHTS RESERVED.

LOC	DIST	REVISIONS					
J	-	P	LTR	DESCRIPTION	DATE	DWN	APVD
		C		REVISED	ECR-11-008701	TS	KB



1. RECOMMENDED MOUNTING SCREW :
 PAN-HEADED, TYPE 2 TAPPING SCREW OF
 3DIA × 6LENGTH (JIS B1115, B1122) ,
 TIGHTENING TORQUE : 0.39N・m MAX.
 2. 回路番号

1. 推奨取付ネジ : JIS B1115, B1112
 タッピングネジ, なべ2種, 呼び径3, 長さ6,
 締め付けトルク ; 0.39N・m 以下
 2. 回路番号



OBSOLETE	錫めっき(17) 金めっき(3) PRE-TINNED(17) GOLD(3)	16,18,20 \triangle	1123379-1	自然色 (NATURAL)	1123425-2
	錫めっき(20) PRE-TINNED(20)	$\frac{+}{-}$	1123379-1	自然色 (NATURAL)	1123425-1
	端子仕上げ(本数) FINISH OF CONTACT	金めっき端子使用回路番号 CIRCUIT NUMBER OF GOLD PLATED CONTACT	嵌合相手ハウジング型番 MATING HOUSING PART NUMBER	色 (COLOR)	型番 PART NUMBER

TOLERANCES UNLESS OTHERWISE SPECIFIED:

一般公差	10% : ±0.2
30% > 10 : ±0.25	
10% > 30 : ±0.3	
ANGLE : ±0.3°	

THIS DRAWING IS A CONTROLLED DOCUMENT.

DIMENSIONS: 単位: 耗 mm	TOLERANCES UNLESS OTHERWISE SPECIFIED: 一般公差
	0 PLC ±-
	1 PLC ±-
	2 PLC ±-
	3 PLC ±-
	4 PLC ±-
	ANGLES ±-
MATERIAL 材料	FINISH 仕上
PBT	-

DWN T.MINEMATSU 08APR98	TE Connectivity
CHK E.SASAKI 08APR98	
APVD M.TSUKAKOSHI 08APR98	
PRODUCT SPEC 製品規格 108-5603	
APPLICATION SPEC 取付適用規格	NAME 名称 040III MULTILOCK CONNECTOR 20POS CAP HOUSING ASSEMBLY WIRE TO BOARD (H) TYPE
WEIGHT 5.6 g	SIZE A3
CUSTOMER DRAWING	CAGE CODE 00779
	DRAWING NO 番号 C-1123425
	RESTRICTED TO -
	SCALE 尺度 2:1
	SHEET 1 OF 1
	REV C