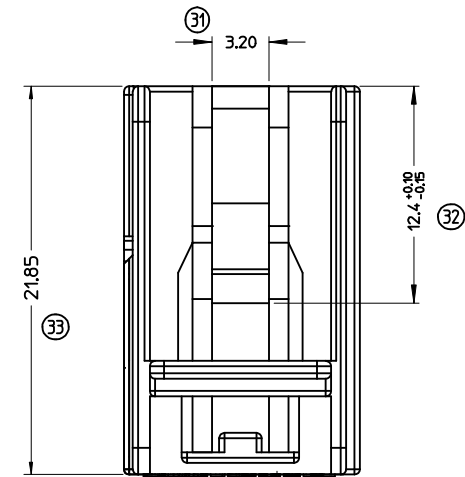
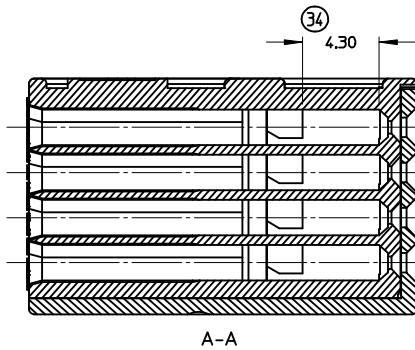
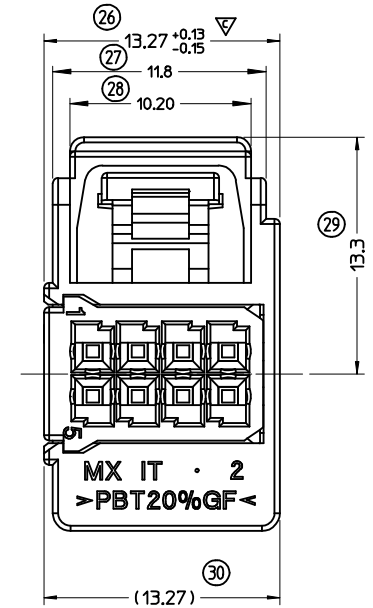
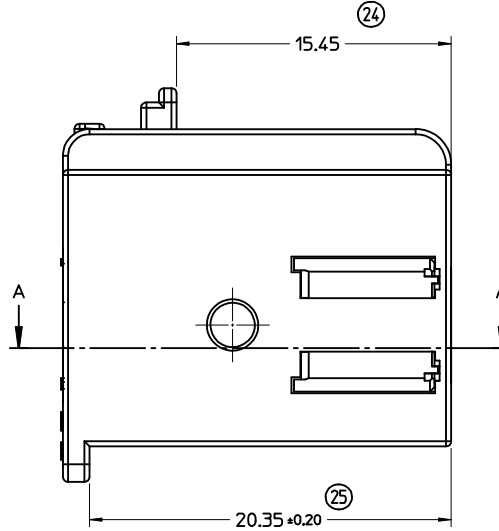
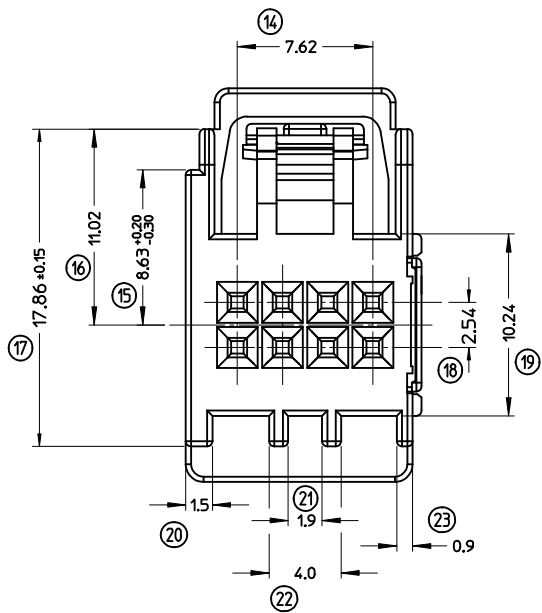


- 1) MATERIAL: GLASS FILLED PBT, BLACK COLOR
- 2) USED WITH 98658 SERIES TERMINALS
- 3) MATES WITH 31341-2641 SERIES USCAR HEADERS
- 4) PACKAGING: IN CARTON BOXES (SEE DRAWING PK-94552-001 FOR DETAILS)
- 5) SPQ: 15840 pcs
- 6) IN THE EVENT OF PARTIAL OR TOTAL SEPARATION, PARTS DO NOT LOOSE THEIR FUNCTIONALITY

STD. DESCR: RECEPTACLE FOR MOX TERM, 8 CKT

| | | | | | | | |
|---|-----------------------------------|---|------------|-----------------------------------|-------------------------------|--|------------------------------|
| EC NO: Z2014-0081 DRWN: SBARBIER 2014/01/09 CHKD: LSANTESSO 2014/01/10 APPR: FBISELLO 2014/01/10 | QUALITY SYMBOLS ▽ - 0 ▽ - 0 | GENERAL TOLERANCES (UNLESS SPECIFIED) | | SCALE 5:1 | DESIGN UNITS METRIC | FIRST ANGLE PROJECTION | REVISE ON CAD ONLY |
| | | 4 PLACES ± --- ± --- 3 PLACES ± --- ± --- 2 PLACES ± 0.13 ± --- 1 PLACE ± 0.25 ± --- | mm INCH | DIMENSION STYLE MM ONLY | | TITLE 8 CKT POL. B USCAR 0.64MM RECEPTACLE FOR 98658 SERIES TERMINAL | |
| | | DRAFT WHERE APPLICABLE MUST REMAIN WITHIN DIMENSIONS | | DRAWN BY SBARBIER | DATE 2007/04/11 | MOLEX INCORPORATED | |
| | | | | CHECKED BY LSANTESSO | DATE 2007/04/11 | MATERIAL NO. 94552-9008 | DOCUMENT NO. SD-94552-001 |
| THIS DRAWING CONTAINS INFORMATION THAT IS PROPRIETARY TO MOLEX INCORPORATED AND SHOULD NOT BE USED WITHOUT WRITTEN PERMISSION | | | | | | | |

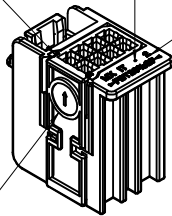


CIRCUIT # MARKING
0.1mm ABOVE SURFACE

THE PRESENCE OF A
DOT DENOTES PARTS
OFF MOLD # 2

MOLEX LOGO,
CAVITY NUMBER,
MATERIAL DESIGNATION
0.1mm ABOVE SURFACE

DATE INDICATOR



| | | | | | | | | |
|---|-----------------------------------|---|--|---|-------------------------------|--|--------------------|--|
| EC NO: Z2014-0081 DRWN: SBARBIER 2014/01/09 CHKD: LSANTESSO 2014/01/10 APPR: FBISELLO 2014/01/10 | QUALITY SYMBOLS ▽ - 0 ▽ - 1 | GENERAL TOLERANCES (UNLESS SPECIFIED) | | SCALE 5:1 | DESIGN UNITS METRIC | FIRST ANGLE PROJECTION | REVISE ON CAD ONLY | |
| | | 4 PLACES ± 0.13 ± 0.13 3 PLACES ± 0.13 ± 0.13 2 PLACES ± 0.13 ± 0.13 1 PLACE ± 0.25 ± 0.25 | | DIMENSION STYLE MM ONLY | | TITLE 8 CKT POL. B USCAR 0.64MM RECEPTACLE FOR 98658 SERIES TERMINAL | | |
| | | ANGULAR ± 3° | | DRAFT WHERE APPLICABLE MUST REMAIN WITHIN DIMENSIONS | | MOLEX INCORPORATED | | |
| | | APPROVED BY FBISELLO 2014/01/10 | | DATE 2014/01/10 | | MATERIAL NO. SD-94552-001 DOCUMENT NO. SD-94552-001 SHEET NO. 2 OF 2 | | |