



# LP-0701TS

## Reed Switch Chain



### Electrical Characteristics (of unmodified Reed Switch)

@ 25°C

Contact form		A
Contact material		Ru
Contact rating max.	W / VA	10
Switching voltage max.	VDC	150
	VAC	120
Switching current max.	A	0.5
Carry current max.	A	0.7
Breakdown voltage min.	VDC	200

### Magnetical Characteristics (of unmodified Reed Switch)

@ 25°C

Pull in range available	AT	10 – 15
Drop out min.	AT	4
Test coil	TC	010
Test equipment tolerance	± AT	2

### Environmental Characteristics

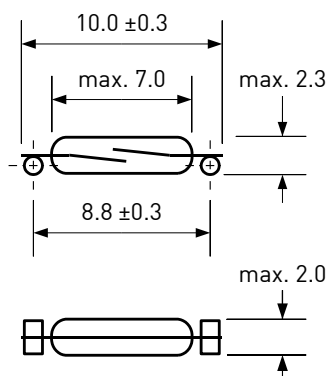
Operating temperature max.	°C	+125
Vibration (50-2000 Hz)	g	10
Shock (1/2 sin 11 ms)	g	50
Soldering temperature max. (max. 10 sec.)	°C	+300

### Life Expectancy (of single Reed Switch)

Resistive load	Voltage	Current	Operations
	0.02 VDC	0.01 A	5 x 10 <sup>8</sup>
	20 VDC	0.5 A	5 x 10 <sup>7</sup>

### Material information

PCB	03020480 PCB 257.8x7.0x1.6
Resistors	SMD R0805 1 kOhm ±1%, 50pcs (49 front, 1 reverse side)
Reed Switches	PMC-0701TS 10-15 AT, 50 pcs



Product image serves as example only.

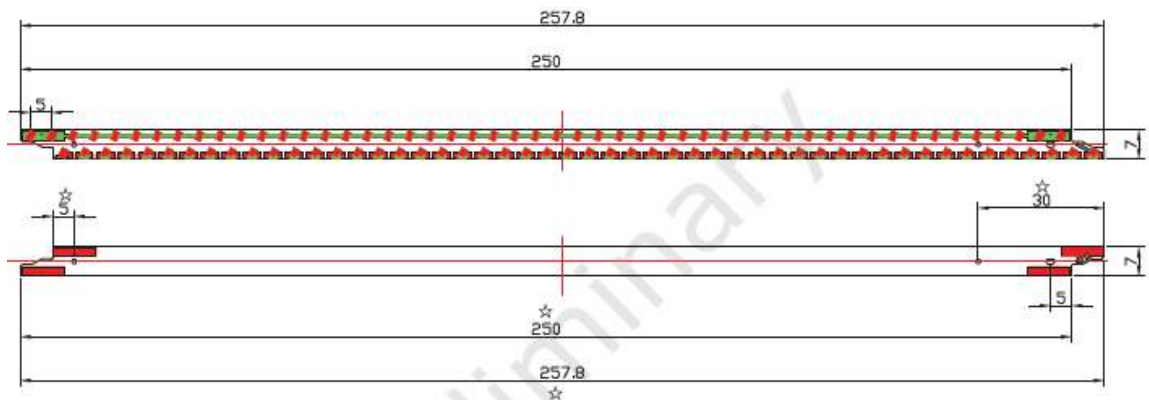


# LP-0701TS

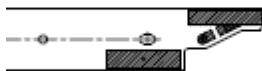
## Reed Switch Chain



### Dimensions in mm



### Reverse side



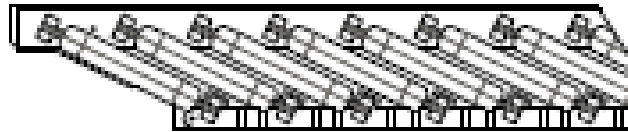


# LP-0701TS

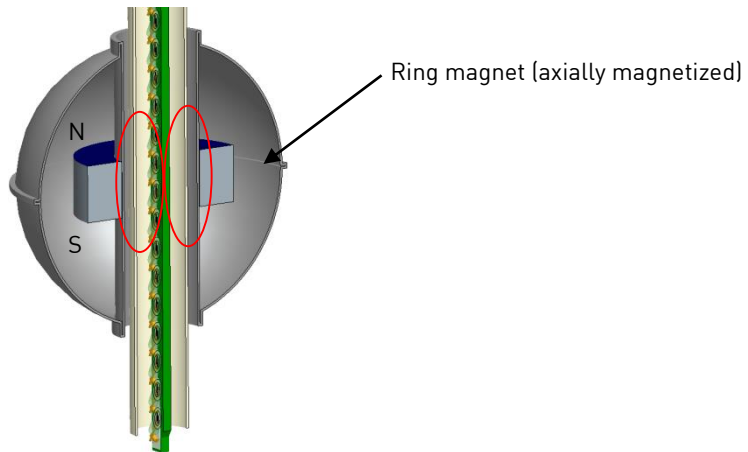
## Reed Switch Chain



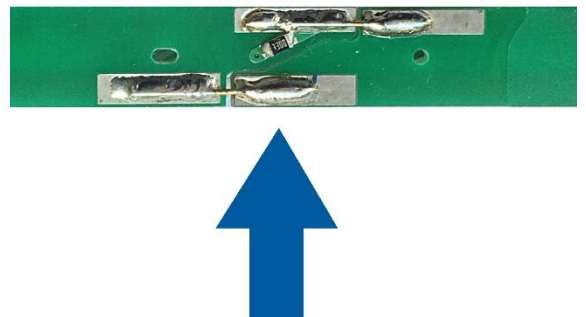
Schematic diagram



Example of activation



Example of contact and combination of PCBs



**Recommended inside diameter of tube: 7.0 mm**