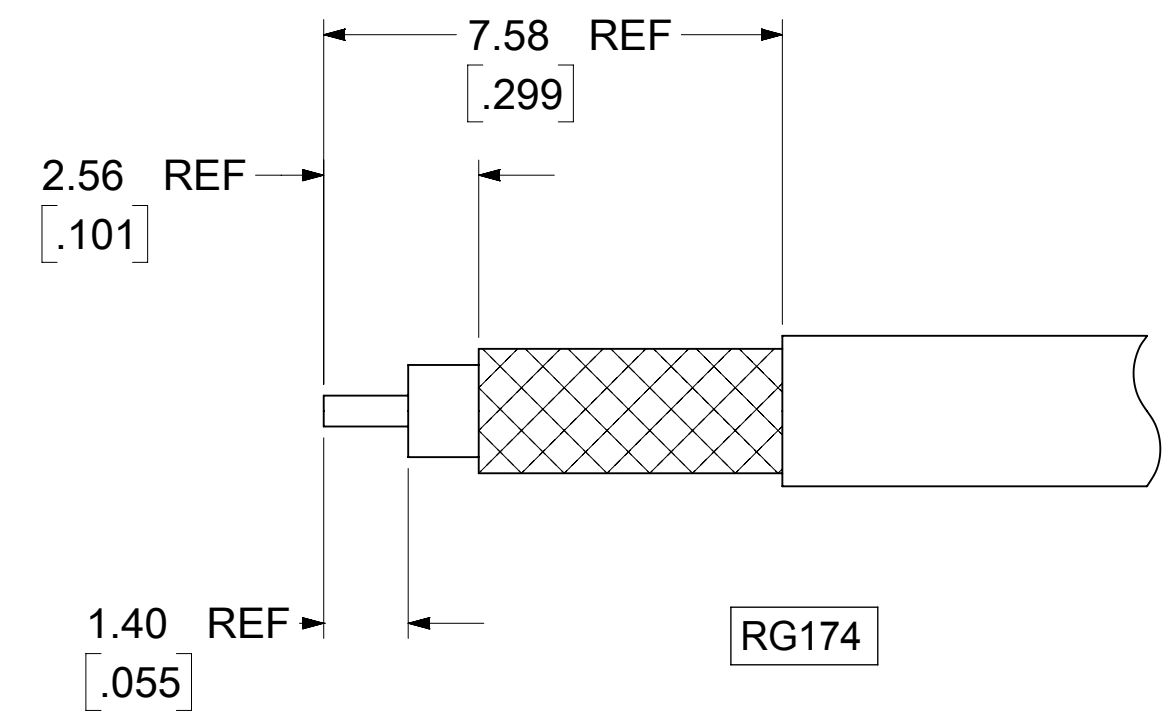
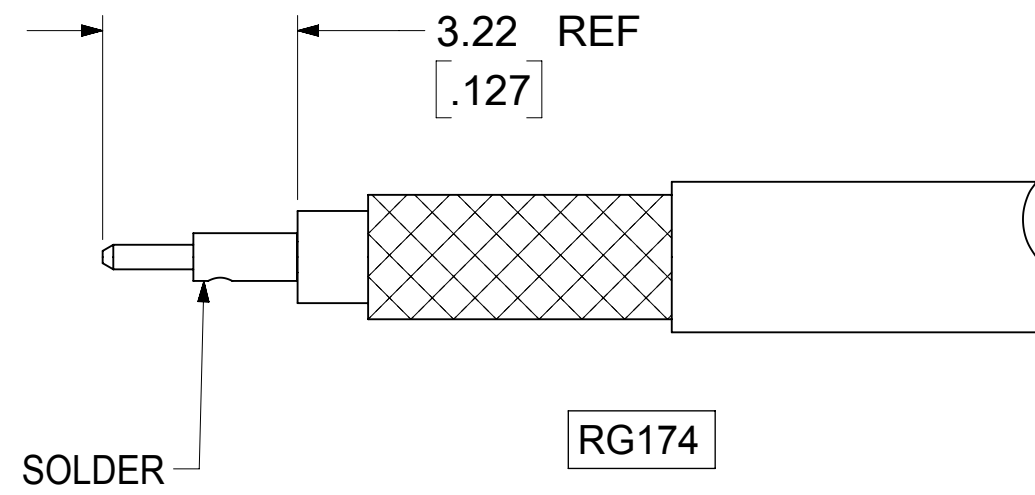
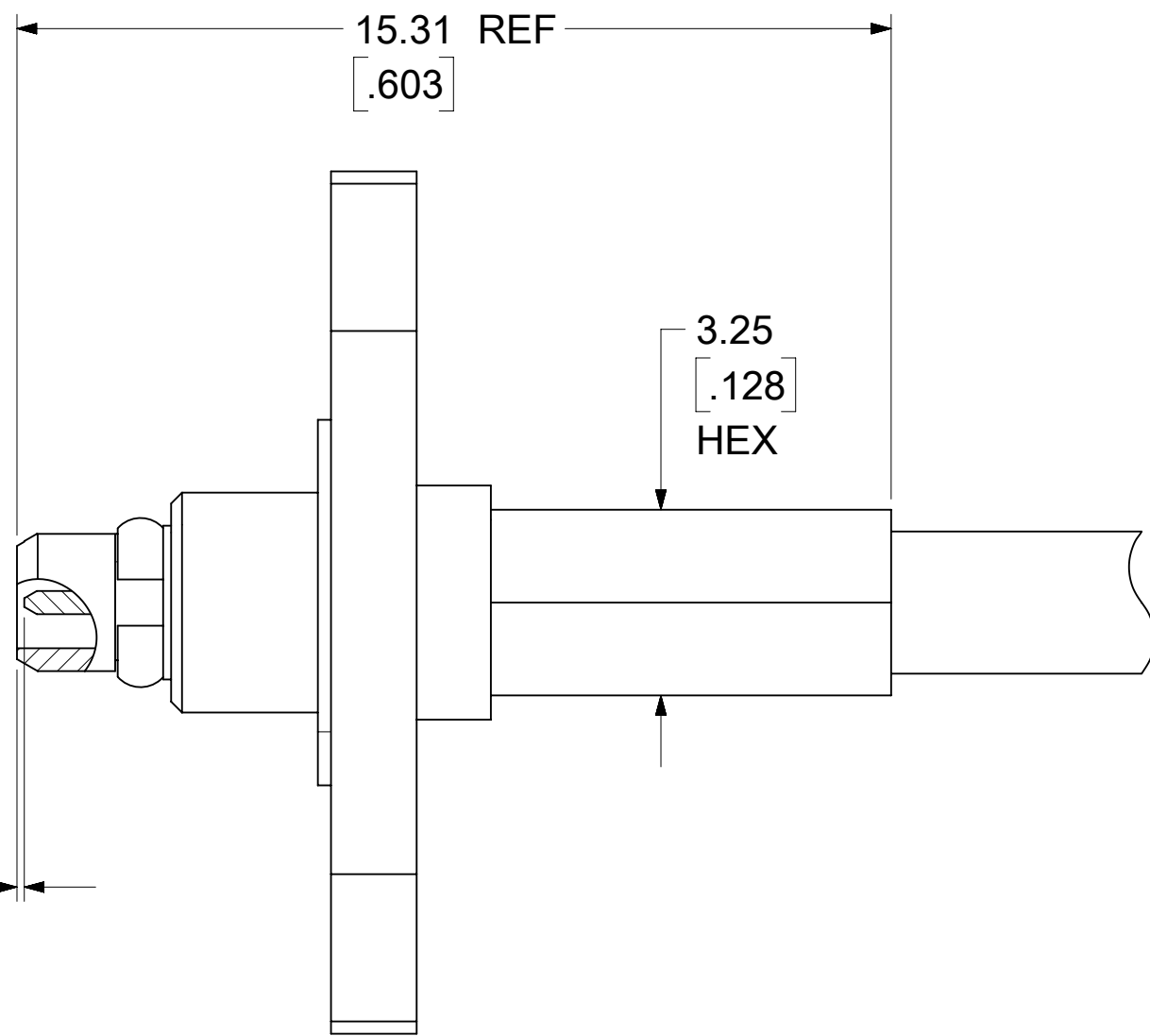
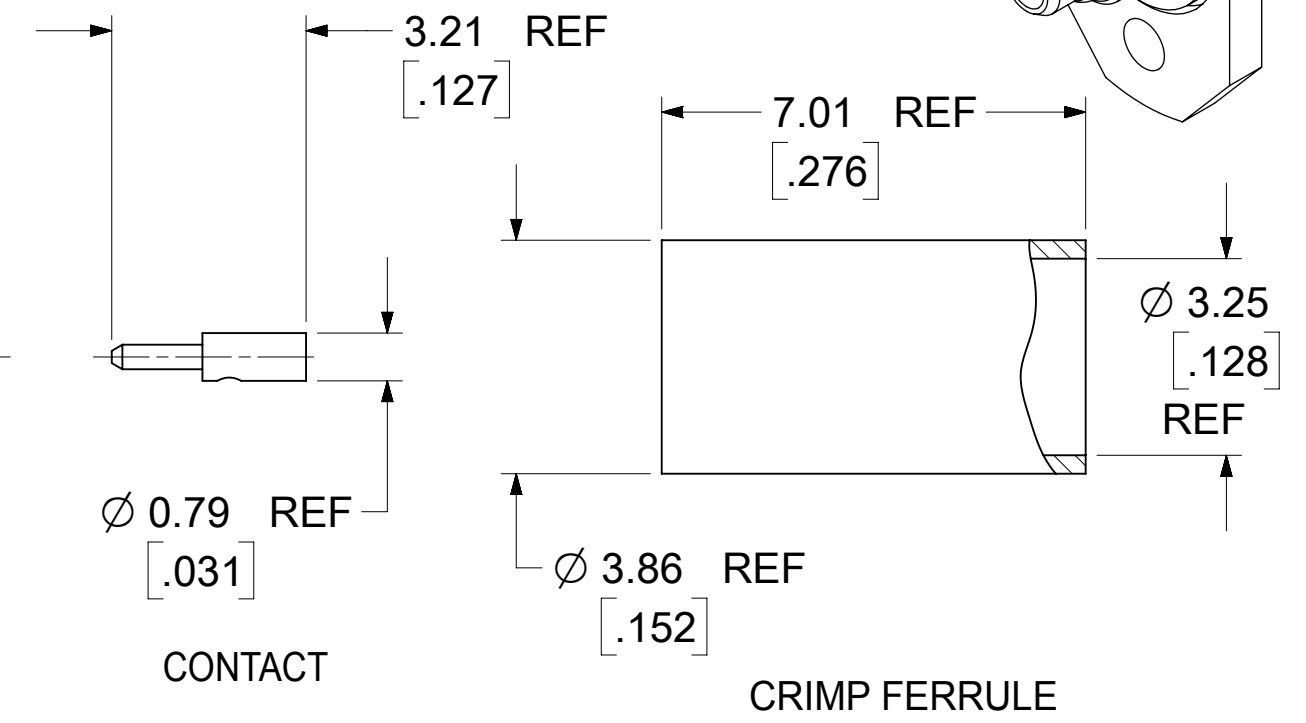
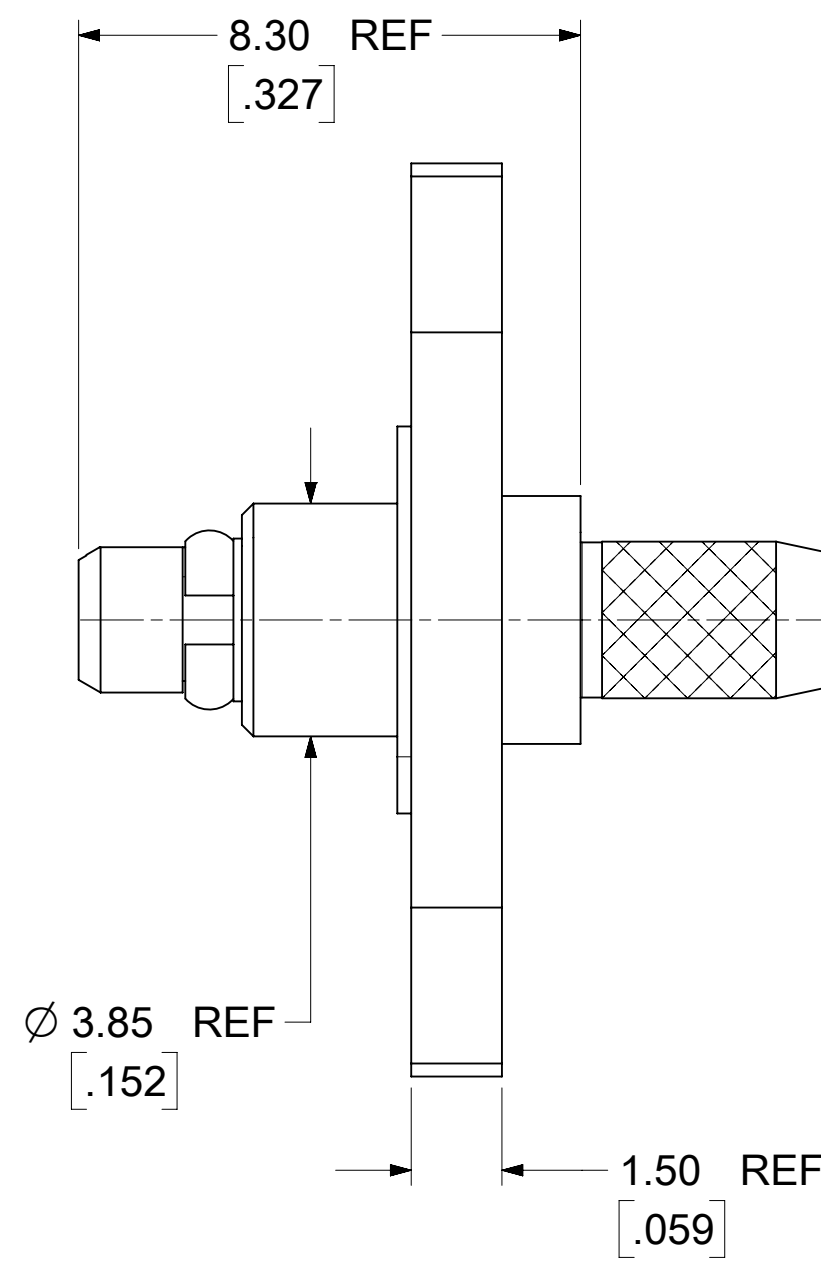
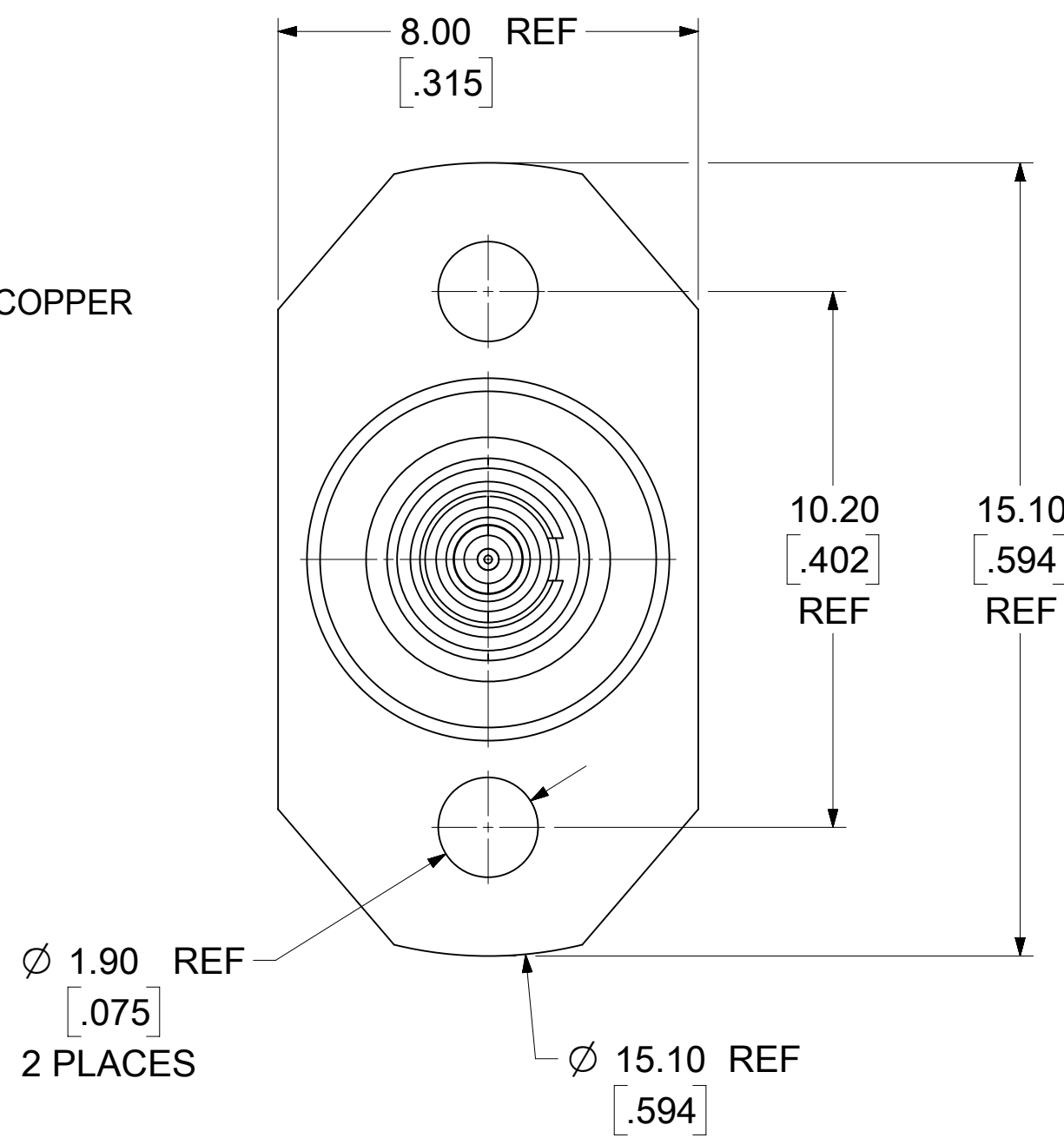


MATERIALS AND FINISHES

- BODY BRASS  
PLATED GOLD
- CENTER CONTACT BERYLLIUM COPPER  
PLATED GOLD
- INSULATOR TEFLON
- GASKET SILICONE RUBBER



CECC-22-340	INTERFACE
PS-89675-1920	ELECTRO/MECH PERFORM.
SPECIFICATION	DESCRIPTION

FUNCTIONAL SYMBOLS $\frac{E}{A} = 0$ $\frac{E}{C} = 0$ $\frac{E}{P} = 0$	THIS DRAWING CONTAINS INFORMATION THAT IS PROPRIETARY TO MOLEX ELECTRONIC TECHNOLOGIES, LLC AND SHOULD NOT BE USED WITHOUT WRITTEN PERMISSION	SCALE	CURRENT REV DESC:	
	DIMENSION UNITS	NTS	ADDED FRONT VIEW AND DIMENSION	
	GENERAL TOLERANCES (UNLESS SPECIFIED)			
	ANGULAR TOL ± 2.0°			
DIVISIONAL SYMBOLS 4 PLACES ± 3 PLACES ± 2 PLACES ± 1 PLACE ± 0 PLACES ±	EC NO: 659575	2021/03/26	PRODUCT CUSTOMER DRAWING DOCUMENT NUMBER: SD-73414-070 DOC TYPE: PSD DOC PART: 001 REVISION: A1	
	DRWN: JSU18	2021/03/30		
	CHK'D: YCHENG	2021/03/30		
	APPR: YCHENG	2021/03/30		
INITIAL REVISION:		2014/08/18	MATERIAL NUMBER: 73414 CUSTOMER: GENERAL MARKET SHEET NUMBER: 1 OF 1	
DRWN: ELIN		2014/09/18		
APPR: YCHENG		2014/09/18		
DRAFT WHERE APPLICABLE MUST REMAIN WITHIN DIMENSIONS		THIRD ANGLE PROJECTION	DRAWING: C-SIZE	SERIES: 73414