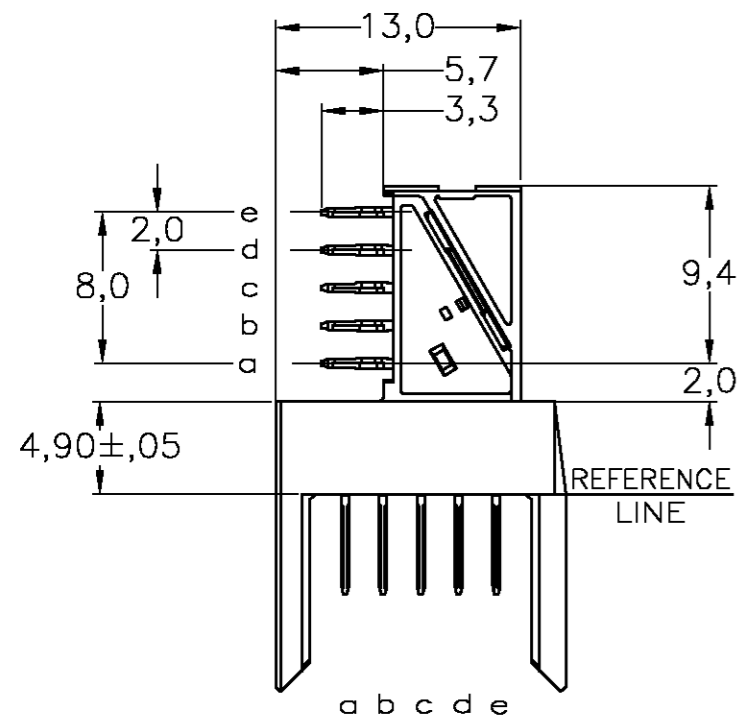
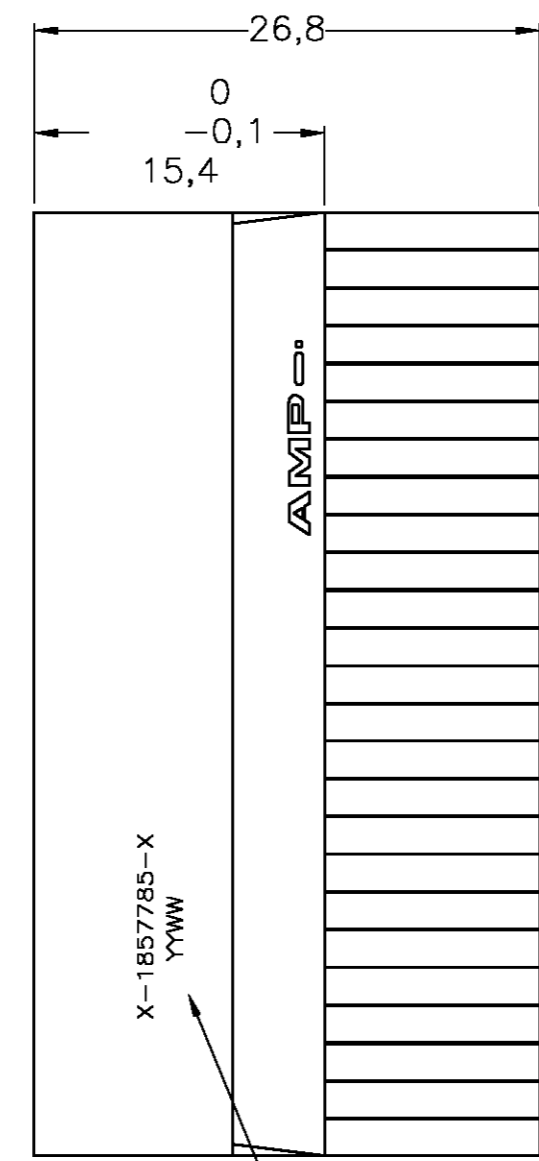
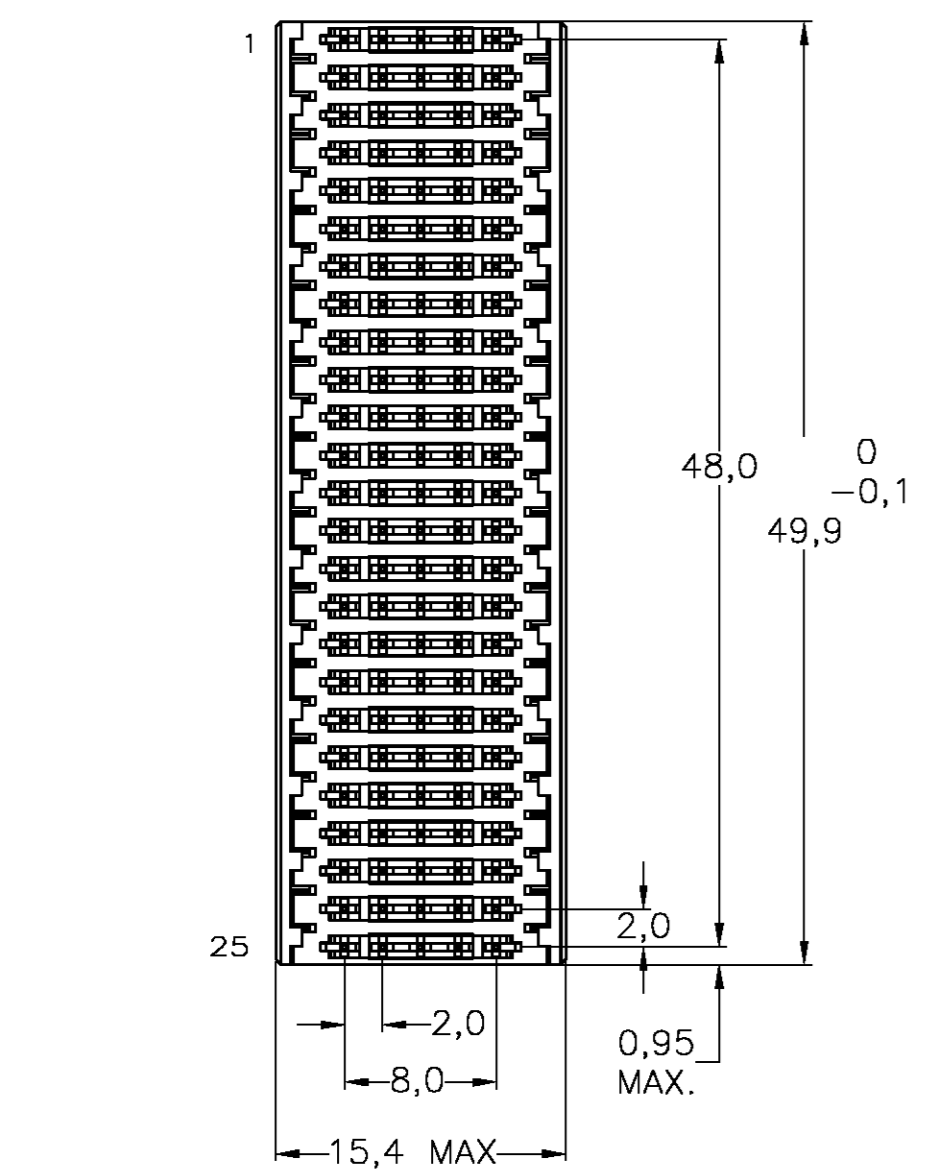


THIS DRAWING IS UNPUBLISHED. RELEASED FOR PUBLICATION
 © COPYRIGHT BY TYCO ELECTRONICS CORPORATION. ALL RIGHTS RESERVED.

LOC		DIST		REVISIONS			
P	LTR	DESCRIPTION	DATE	DWN	APVD		
-	-	FIRST ISSUE	-	-	-		

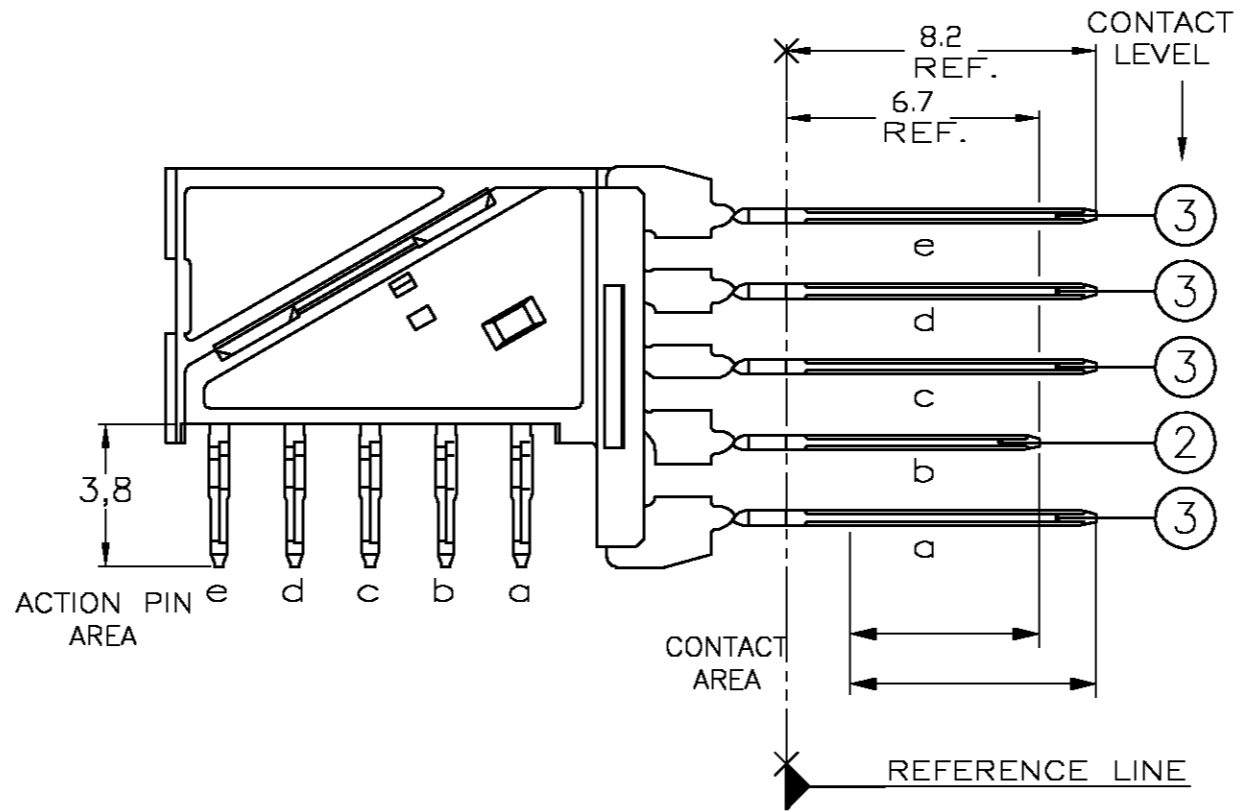
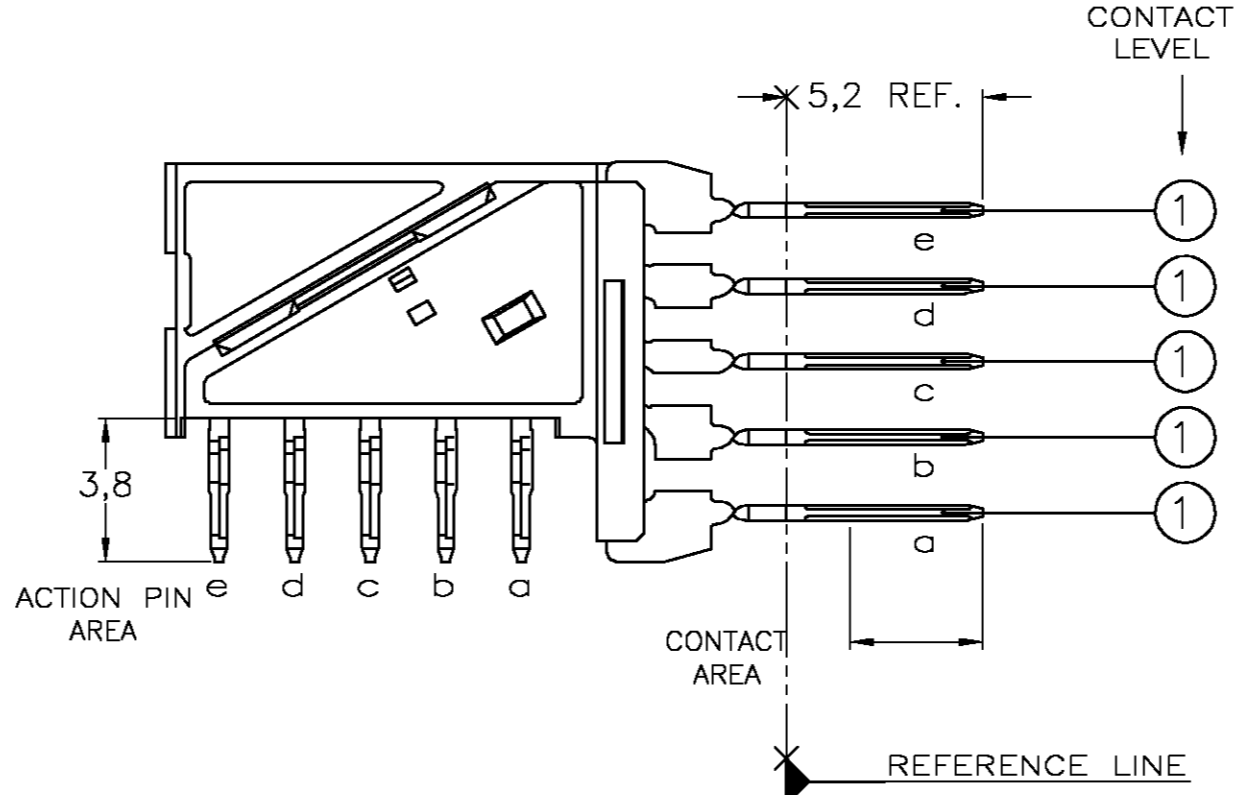


**CONNECTOR ASSEMBLY
EXEMPLARY LOADED**

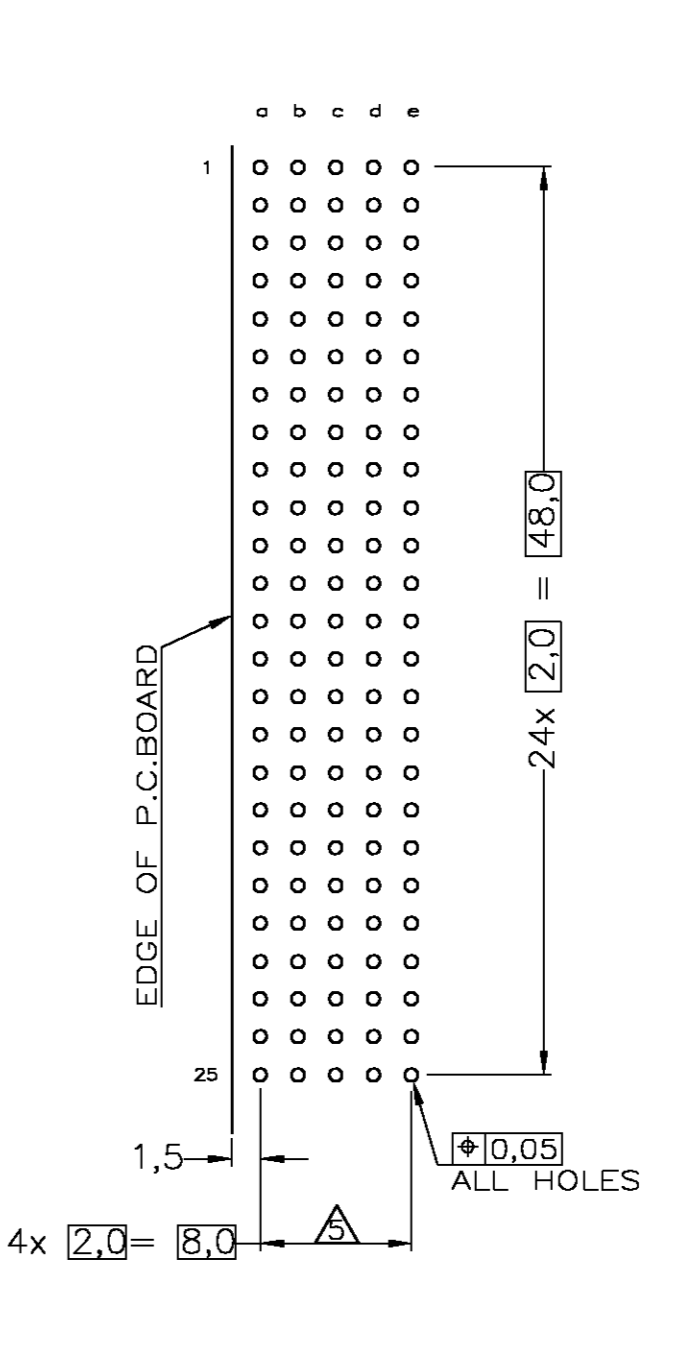


PRINTING AREA (THIS SIDE)

CONTACT DIMENSIONS



**RECOMMENDED PCB-HOLE LAY-OUT
COMPONENT SIDE SHOWN**



P.C.B. HOLE DIM. ACTION PIN FOR DETAILS SEE APPLICATION SPECIFICATION

CONTACT LAYOUT

	a	b	c	d	e
1	1	1	1	1	1
2	1	1	1	1	1
3	3	2	3	3	3
4	1	1	1	1	1
5	1	1	1	1	1
6	1	1	1	1	1
7	3	2	3	3	3
8	1	1	1	1	1
9	1	1	1	1	1
10	1	1	1	1	1
11	3	2	3	3	3
12	1	1	1	1	1
13	1	1	1	1	1
14	1	1	1	1	1
15	3	2	3	3	3
16	1	1	1	1	1
17	1	1	1	1	1
18	1	1	1	1	1
19	3	2	3	3	3
20	1	1	1	1	1
21	1	1	1	1	1
22	1	1	1	1	1
23	3	2	3	3	3
24	1	1	1	1	1
25	1	1	1	1	1

- NOTES:**
- △ MATERIAL HOUSING : GREY GLASSFILLED POLYESTER
UL-RATING V0
 - △ CONTACT : PHOSPHORBRONZE
 - △ GENERAL PLATING SPECIFICATION: UNDERPLATING (ENTIRE CONTACT):
1,27µm NICKEL MIN. AND ACTION PIN: 0,5µm TIN MIN.
FOR PLATING OF MATING SURFACES SEE APPLICABLE SPECIFICATION
REFERENCE FOR EACH DASH NUMBER.
 - △ CONFORMS TO ALL TESTING ACCORDING IEC 61076-4-101
PERFORMANCE LEVEL 2.
 - △ CONNECTOR PRINTED WITH PARTNUMBER AND DATECODE.
 - △ PLATED-THROUGH HOLES AT 2x2mm SQUARE GRID.

THIS DRAWING IS A CONTROLLED DOCUMENT.		DWN B. MOOIJ 08-JUN-06	CONTACT FINISH		MATERIAL		PARTNUMBER	
DIMENSIONS: MM		CHK B. MOOIJ 08-JUN-06	APVD J. BROEKSTEEG 08-JUN-06		NAME		1857785-1	
TOLERANCES UNLESS OTHERWISE SPECIFIED:		PRODUCT SPEC		APPLICATION SPEC		Tyco Electronics Corporation		
0 PLC ± -	1 PLC ± -	108-19082		Z-PACK 2MM HM TYPE B		's-Hertogenbosch, Netherlands		
2 PLC ± -	3 PLC ± -	114-19029		125 POS. RIGHT ANGLE MALE				
4 PLC ± -	ANGLES ± -	WEIGHT -		DRAWING NO		RESTRICTED TO		
MATERIAL -	FINISH -	CUSTOMER DRAWING		SCALE A2 00779 C=1857785		SHEET 1 OF 1		
				NTS		REV A		