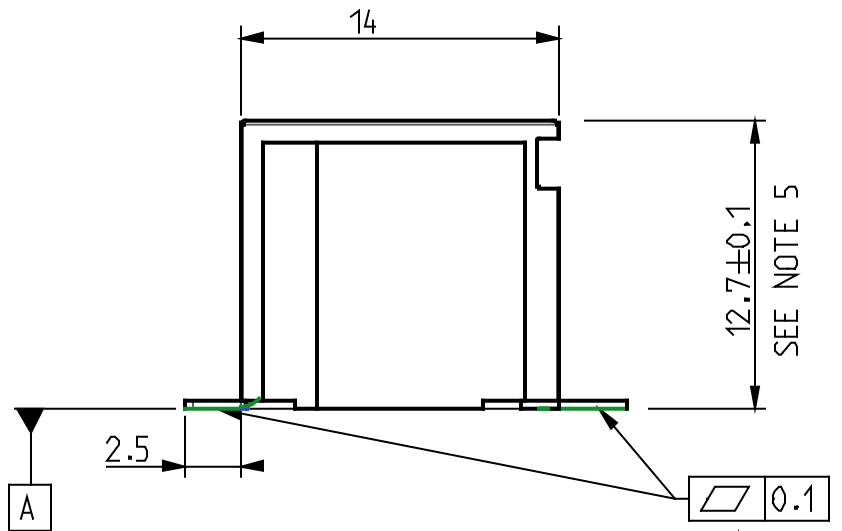
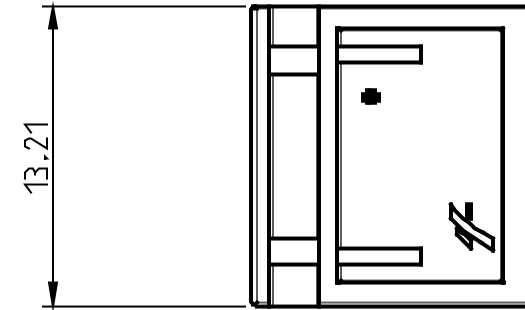
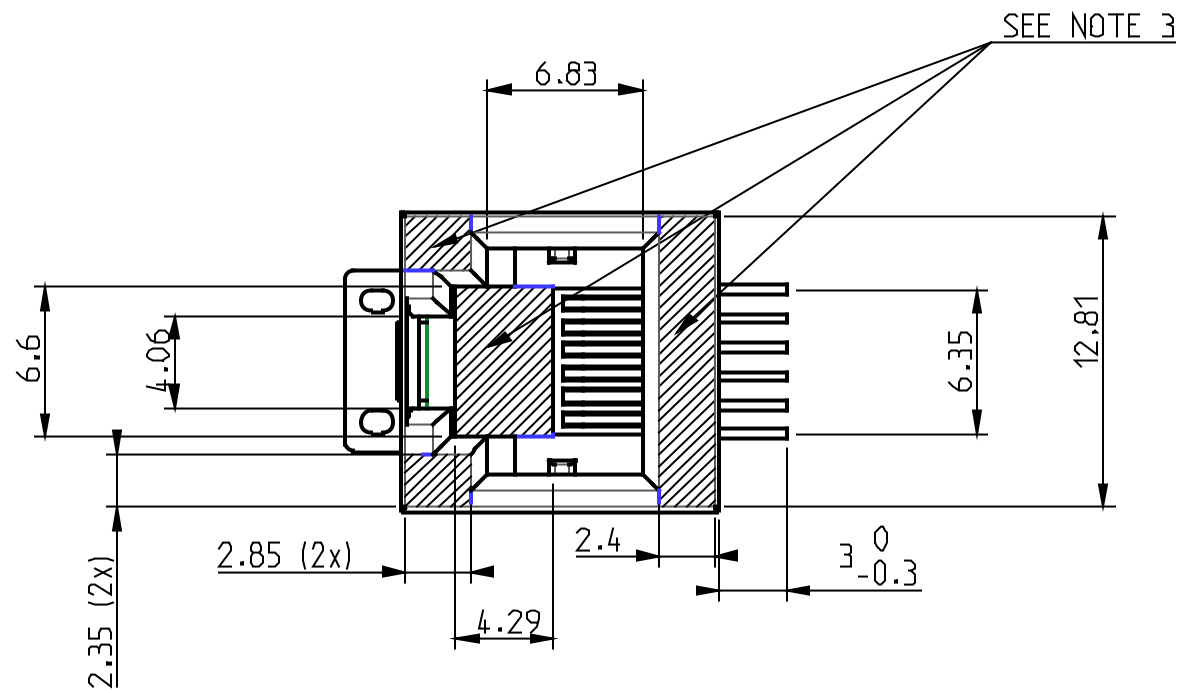
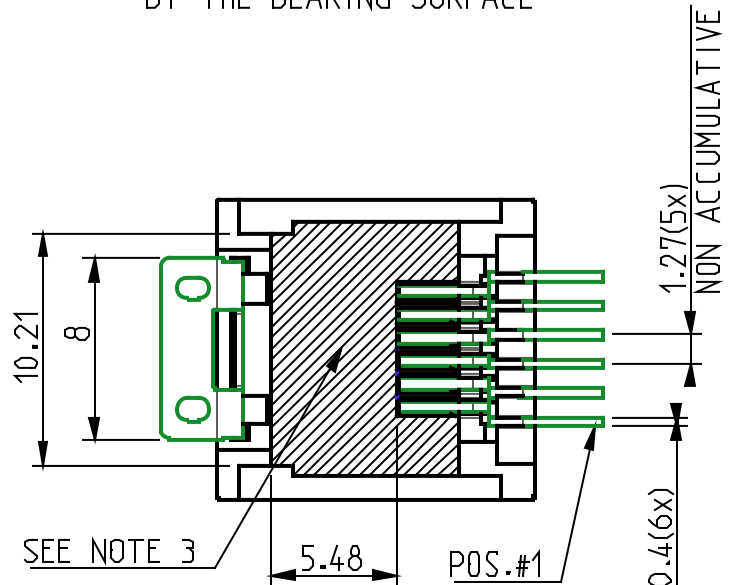


PRODUCT N°  
SEE TABLE



REFERENCE PLAN DEFINED BY THE BEARING SURFACE



rev	ecn no	dr	date
M	F06-0152	DLE	06.03.20
N	F06-0242	DLE	06.07.20
-	-	-	-
-	-	-	-
-	-	-	-
-	-	-	-

www.fciconnect.com		surface - ✓	tolerance std ±0.13 ±2°	projection	mm
		TOLERANCES UNLESS OTHERWISE SPECIFIED		⊕	↔
Dr	D LEGRAND	02.09.16	ANGULAR	size A3	Scale 3:1
Eng	P NIZZI	02.09.16	LINEAR	ECN F06-0242	
Chr	D LEGRAND	02.09.16	α° ±γ°	Spec ref -	
Appr	P NIZZI	02.09.16	Product family MODULAR JACK		
<b>VERTICAL SMT</b> 6 POSITIONS KEYED		catalog no 98433-XXX(LF)		dwg no 98433	Rev. N
CUSTOMER				sheet 1 of 2	

PRODUCT N°  
98433-XXXLF

CONTACT PLATING OPTION
1= GXT 0.76 μm
3= 0.76 μm GOLD
5= 1.27 μm GOLD

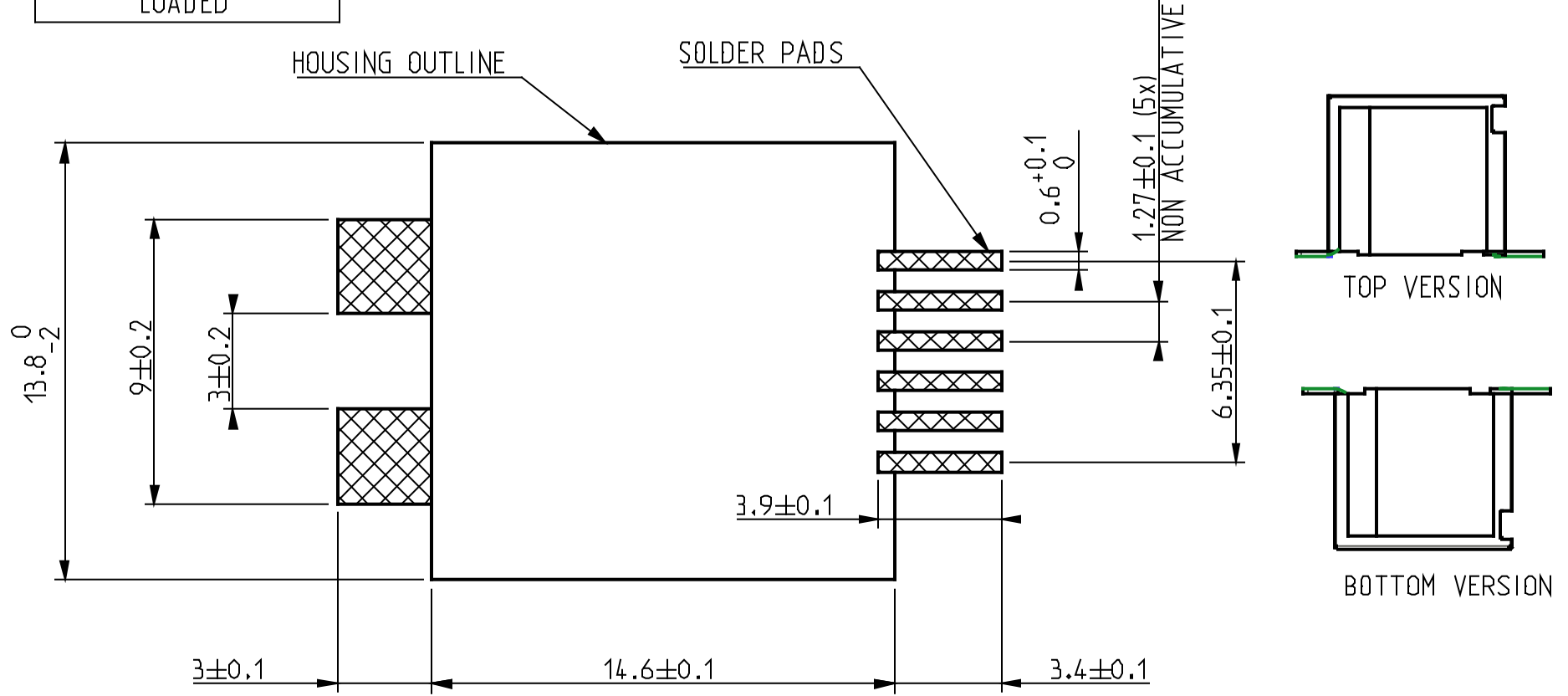
PACKAGE OPTIONS
TAPE AND REEL PACKAGE 1= LOADED FACE UP
TAPE AND REEL PACKAGE 2= LOADED FACE DOWN

VERSION
TOP (RED)
BOTTOM (RED)

TERMINAL LOADING OPTIONS
1= FULLY LOADED 6 POSITIONS
2= ONLY POS 2,3,4,5 LOADED
3= ONLY POS 1,2,5,6 LOADED

WHEN NEEDED, SUFFIX LETTER "LF" INDICATES THE PRODUCT IS RoHS COMPATIBLE SEE NOTE 7.

- NOTES:
- 1 - MATERIAL:  
HOUSING: HIGH TEMP. PLASTIC, COLOR RED  
TERMINAL PHOSPHOR BRONZE
  - 2 - PLATING  
CONTACT AREA: OPTIONAL SEE TABLE  
SOLDER TAIL: SnPb 90/10 2 μm MIN  
NO RAW EDGES EXCEPT SOLDER TAILS TIPS
  - 3 - AREA FOR VACUUM PICK AND PLACE VENTURY
  - 4 - PACKAGING SPECIFICATION SEE TA 858
  - 5 - DIMENSION MEASURED FROM "A" TO THE TOP OF PRODUCT
  - 6 - COPLANARITY SEE TA 861.
  - 7 - RoHS COMPATIBLE PRODUCT SPECIFICATIONS
  - a - PLATING:  
- "LF" MEANS THE PRODUCT IS LEAD-FREE,  
2 μm MINIMUM MATTE TIN OVER 1.27 μm  
MINIMUM NICKEL UNDERPLATE.
  - b - MANUFACTURING PROCESS COMPATIBILITY:  
- THE HOUSING WILL WITHSTAND EXPOSURE TO  
245 °C PEAK TEMPERATURE FOR 30 SECONDS  
MAX IN A CONVECTION, INFRA-RED OR VAPOR  
PHASE OR REFLOW OVEN.
  - c - LABELLING:  
- MEETS PACKAGING SPECS AS PER GS-14-920.
  - d - LEGAL STATEMENT: SEE GS-22-008



RECOMMENDED PCB FOOTPRINT

www.fciconnect.com			surface - ✓ ISO 1302	tolerance std ±0.13 ±2°	projection ⊕	mm
TOLERANCES UNLESS OTHERWISE SPECIFIED						
Dr	D LEGRAND	02.09.16	ANGULAR	LINEAR	D.X	±Y
Eng	P NIZZI	02.09.16			o.XX	±Y
Chr	D LEGRAND	02.09.16	α°	±Y°	o.XXX	±Y
Appr	P NIZZI	02.09.16	Product family MODULAR JACK		Spec ref -	
			<b>VERTICAL SMT</b> 6 POSITIONS KEYED		dwg no <b>98433</b>	
catalog no 98433-XXX(LF)			CUSTOMER		sheet 2 of 2	

Copyright FCI.