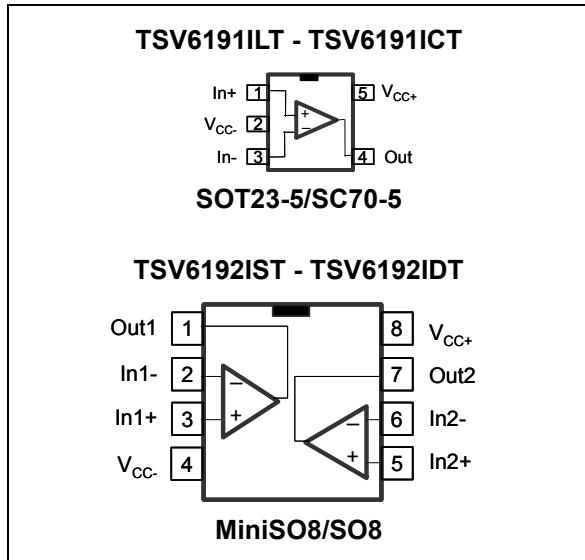


## Rail-to-rail input/output 10 $\mu$ A, 450 kHz CMOS operational amplifiers

Datasheet - production data



### Description

The TSV619x family of single and dual operational amplifiers offers low voltage, low power operation, and rail-to-rail input and output.

The devices also feature an ultra-low input bias current as well as a low input offset voltage.

The TSV619x have a gain bandwidth product of 450 kHz while consuming only 10  $\mu$ A at 5 V. They must be used in a gain configuration (equal or above 4 or -3).

These features make the TSV619x family ideal for sensor interfaces, battery supplied and portable applications, as well as active filtering.

### Features

- Rail-to-rail input and output
- Low power consumption: 10  $\mu$ A typ at 5 V
- Low supply voltage: 1.5 to 5.5 V
- Gain bandwidth product: 450 kHz typ
- Stable when used in gain configuration
- Low input offset voltage: 800  $\mu$ V max (A version)
- Low input bias current: 1 pA typ
- Temperature range: -40 to 85  $^{\circ}$ C

### Applications

- Battery-powered applications
- Smoke detectors
- Proximity sensors
- Portable devices
- Signal conditioning
- Active filtering
- Medical instrumentation

# Contents

- 1 Absolute maximum ratings and operating conditions . . . . . 3**
- 2 Electrical characteristics . . . . . 4**
- 3 Application information . . . . . 9**
  - 3.1 Operating voltages . . . . . 9
  - 3.2 Rail-to-rail input . . . . . 9
  - 3.3 Rail-to-rail output . . . . . 9
  - 3.4 PCB layouts . . . . . 9
  - 3.5 Macromodel . . . . . 10
- 4 Package information . . . . . 11**
  - 4.1 SOT23-5 package information . . . . . 12
  - 4.2 SC70-5 (SOT323-5) package information . . . . . 13
  - 4.3 SO8 package information . . . . . 14
  - 4.4 MiniSO8 package information . . . . . 15
- 5 Ordering information . . . . . 16**
- 6 Revision history . . . . . 17**

# 1 Absolute maximum ratings and operating conditions

**Table 1. Absolute maximum ratings**

Symbol	Parameter	Value	Unit
$V_{CC}$	Supply voltage <sup>(1)</sup>	6	V
$V_{id}$	Differential input voltage <sup>(2)</sup>	$\pm V_{CC}$	
$V_{in}$	Input voltage <sup>(3)</sup>	$(V_{CC-}) - 0.2$ to $(V_{CC+}) + 0.2$	
$T_{stg}$	Storage temperature	-65 to 150	°C
$R_{thja}$	Thermal resistance junction to ambient <sup>(4) (5)</sup>		°C/W
	SC70-5	205	
	SOT23-5	250	
	MiniSO8	190	
	SO8	125	
$T_j$	Maximum junction temperature	150	°C
ESD	HBM: human body model <sup>(6)</sup>	4	kV
	MM: machine model <sup>(7)</sup>	200	V
	CDM: charged device model <sup>(8)</sup>	1.5	kV
	Latch-up immunity	200	mA

1. All voltage values, except differential voltage are with respect to network ground terminal.
2. Differential voltages are the non-inverting input terminal with respect to the inverting input terminal.
3.  $V_{CC}$ - $V_{in}$  must not exceed 6 V.
4. Short-circuits can cause excessive heating and destructive dissipation.
5.  $R_{th}$  are typical values.
6. Human body model: 100 pF discharged through a 1.5 k $\Omega$  resistor between two pins of the device, done for all couples of pin combinations with other pins floating.
7. Machine model: a 200 pF cap is charged to the specified voltage, then discharged directly between two pins of the device with no external series resistor (internal resistor < 5  $\Omega$ ), done for all couples of pin combinations with other pins floating.
8. Charged device model: all pins plus package are charged together to the specified voltage and then discharged directly to ground.

**Table 2. Operating conditions**

Symbol	Parameter	Value	Unit
$V_{CC}$	Supply voltage	1.5 to 5.5	V
$V_{icm}$	Common mode input voltage range	$(V_{CC-}) - 0.1$ to $(V_{CC+}) + 0.1$	
$T_{oper}$	Operating free air temperature range	-40 to 85	°C

## 2 Electrical characteristics

**Table 3. Electrical characteristics at  $V_{CC+} = 1.8\text{ V}$  with  $V_{CC-} = 0\text{ V}$ ,  $V_{icm} = V_{CC}/2$ ,  $T_{amb} = 25\text{ °C}$ , and  $R_L$  connected to  $V_{CC}/2$  (unless otherwise specified)**

Symbol	Parameter	Conditions	Min.	Typ.	Max.	Unit
<b>DC performance</b>						
$V_{io}$	Offset voltage	TSV619x			4	mV
		TSV619xA			0.8	
		$T_{min.} < T_{op} < T_{max.}$ TSV619x			5	
		$T_{min.} < T_{op} < T_{max.}$ TSV619xA			2	
$\Delta V_{io}/\Delta T$	Input offset voltage drift			2		$\mu\text{V}/\text{°C}$
$I_{io}$	Input offset current ( $V_{out} = V_{CC}/2$ )			1	10 <sup>(1)</sup>	pA
		$T_{min.} < T_{op} < T_{max.}$		1	25	
$I_{ib}$	Input bias current ( $V_{out} = V_{CC}/2$ )			1	10 <sup>(1)</sup>	pA
		$T_{min.} < T_{op} < T_{max.}$		1	25	
CMR	Common mode rejection ratio $20 \log(\Delta V_{ic}/\Delta V_{io})$	0 V to 1.8 V, $V_{out} = 0.9\text{ V}$	55	71		dB
		$T_{min.} < T_{op} < T_{max.}$	53			
$A_{vd}$	Large signal voltage gain	$R_L = 10\text{ k}\Omega$ , $V_{out} = 0.5\text{ V to }1.3\text{ V}$	78	83		dB
		$T_{min.} < T_{op} < T_{max.}$	74			
$V_{OH}$	High level output voltage ( $V_{OH} = V_{CC} - V_{out}$ )	$R_L = 10\text{ k}\Omega$ $T_{min.} < T_{op} < T_{max.}$		4	35 50	mV
$V_{OL}$	Low level output voltage	$R_L = 10\text{ k}\Omega$ $T_{min.} < T_{op} < T_{max.}$		7	35 50	
$I_{out}$	Isink	$V_o = 1.8\text{ V}$ $T_{min.} < T_{op} < T_{max.}$	9 9	13		mA
	Isource	$V_o = 0\text{ V}$ $T_{min.} < T_{op} < T_{max.}$	8 8	10		
$I_{CC}$	Supply current (per operator)	No load, $V_{out} = V_{CC}/2$	6.5	9	12	$\mu\text{A}$
		$T_{min.} < T_{op} < T_{max.}$	6		12.5	
<b>AC performance</b>						
GBP	Gain bandwidth product	$R_L = 10\text{ k}\Omega$ , $C_L = 20\text{ pF}$		380		kHz
Gain	Minimum gain for stability	Phase margin = 60°, $R_f = 10\text{ k}\Omega$ , $R_L = 10\text{ k}\Omega$ , $C_L = 20\text{ pF}$ , $T_{op} = 25\text{ °C}$		5		V/V
SR	Slew rate	$R_L = 10\text{ k}\Omega$ , $C_L = 20\text{ pF}$ , $V_{out} = 0.5\text{ V to }1.3\text{ V}$		0.06		V/ $\mu\text{s}$
$e_n$	Equivalent input noise voltage	$f = 1\text{ kHz}$		110		$\frac{\text{nV}}{\sqrt{\text{Hz}}}$
THD+N	Total harmonic distortion + noise	$F_{in} = 1\text{ kHz}$ , $A_v = 5$ , $V_{out} = 1\text{ V}_{pp}$ , $R_L = 100\text{ k}\Omega$ , $BW = 22\text{ kHz}$		0.1		%

1. Guaranteed by design.

**Table 4. Electrical characteristics at  $V_{CC+} = 3.3\text{ V}$ ,  $V_{CC-} = 0\text{ V}$ ,  $V_{icm} = V_{CC}/2$ ,  $T_{amb} = 25\text{ °C}$ ,  $R_L$  connected to  $V_{CC}/2$  (unless otherwise specified)**

Symbol	Parameter		Min.	Typ.	Max.	Unit
<b>DC performance</b>						
$V_{io}$	Offset voltage	TSV619x			4	mV
		TSV619xA			0.8	
		$T_{min} < T_{op} < T_{max}$ TSV619x			5	
		$T_{min} < T_{op} < T_{max}$ TSV619xA			2	
$\Delta V_{io}/\Delta T$	Input offset voltage drift			2		$\mu\text{V}/\text{°C}$
$I_{io}$	Input offset current			1	10 <sup>(1)</sup>	pA
		$T_{min.} < T_{op} < T_{max.}$		1	25	
$I_{ib}$	Input bias current			1	10 <sup>(1)</sup>	pA
		$T_{min.} < T_{op} < T_{max.}$		1	25	
CMR	Common mode rejection ratio $20 \log (\Delta V_{ic}/\Delta V_{io})$	0 V to 3.3 V, $V_{out} = 1.75\text{ V}$	61	76		dB
		$T_{min.} < T_{op} < T_{max.}$	58			
$A_{vd}$	Large signal voltage gain	$R_L = 10\text{ k}\Omega$ , $V_{out} = 0.5\text{ V to } 2.8\text{ V}$	85	92		dB
		$T_{min.} < T_{op} < T_{max.}$	83			
$V_{OH}$	High level output voltage ( $V_{OH} = V_{CC} - V_{out}$ )	$R_L = 10\text{ k}\Omega$ $T_{min.} < T_{op} < T_{max.}$		5	35	mV
					50	
$V_{OL}$	Low level output voltage	$R_L = 10\text{ k}\Omega$ $T_{min.} < T_{op} < T_{max.}$		10	35	mV
					50	
$I_{out}$	Isink	$V_o = V_{CC}$ $T_{min.} < T_{op} < T_{max.}$	37	44		mA
	Isource	$V_o = 0\text{ V}$ $T_{min.} < T_{op} < T_{max.}$	32	38		
			35			
			30			
$I_{CC}$	Supply current (per operator)	No load, $V_{out} = V_{CC}/2$	6.5	9.5	12.5	$\mu\text{A}$
		$T_{min.} < T_{op} < T_{max.}$	6		13	
<b>AC performance</b>						
GBP	Gain bandwidth product	$R_L = 10\text{ k}\Omega$ , $C_L = 20\text{ pF}$		400		kHz
Gain	Minimum gain for stability	Phase margin = 60°, $R_f = 10\text{ k}\Omega$ $R_L = 10\text{ k}\Omega$ , $C_L = 20\text{ pF}$ , $T_{op} = 25\text{ °C}$		5		V/V
SR	Slew rate	$R_L = 10\text{ k}\Omega$ , $C_L = 20\text{ pF}$ , $V_{out} = 0.5\text{ V to } 2.8\text{ V}$		0.07		V/ $\mu\text{s}$
$e_n$	Equivalent input noise voltage	$f = 1\text{ kHz}$		110		$\frac{\text{nV}}{\sqrt{\text{Hz}}}$

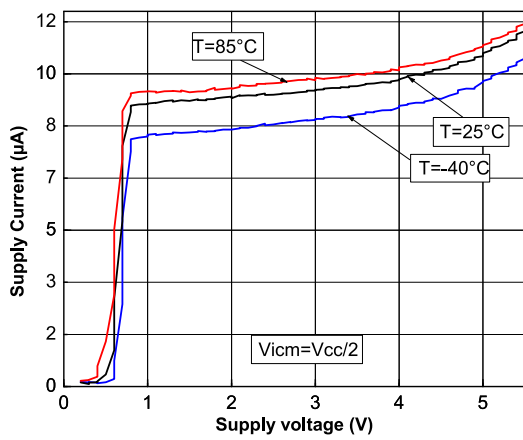
1. Guaranteed by design.

**Table 5. Electrical characteristics at  $V_{CC+} = 5\text{ V}$ ,  $V_{CC-} = 0\text{ V}$ ,  $V_{icm} = V_{CC}/2$ ,  $T_{amb} = 25\text{ }^{\circ}\text{C}$ ,  $R_L$  connected to  $V_{CC}/2$  (unless otherwise specified)**

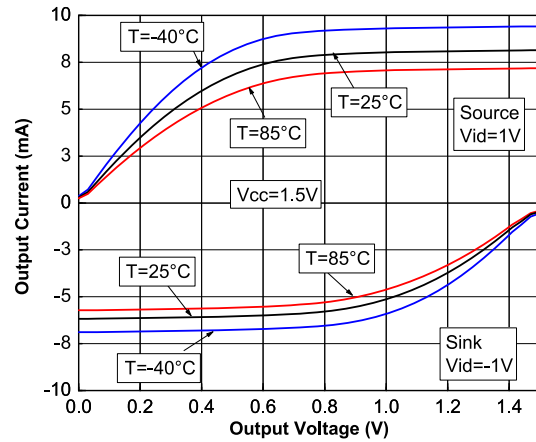
Symbol	Parameter		Min.	Typ.	Max.	Unit
<b>DC performance</b>						
$V_{io}$	Offset voltage	TSV619x TSV619xA			4 0.8	mV
		$T_{min} < T_{op} < T_{max}$ TSV619x $T_{min} < T_{op} < T_{max}$ TSV619xA			5 2	
$\Delta V_{io}/\Delta T$	Input offset voltage drift			2		$\mu\text{V}/^{\circ}\text{C}$
$I_{io}$	Input offset current			1	10 <sup>(1)</sup>	pA
		$T_{min.} < T_{op} < T_{max.}$		1	25	
$I_{ib}$	Input bias current			1	10 <sup>(1)</sup>	pA
		$T_{min.} < T_{op} < T_{max.}$		1	25	
CMR	Common mode rejection ratio $20 \log (\Delta V_{ic}/\Delta V_{io})$	0 V to 5 V, $V_{out} = 2.5\text{ V}$	64	80		dB
		$T_{min.} < T_{op} < T_{max.}$	63			
SVR	Supply voltage rejection ratio $20 \log (\Delta V_{cc}/\Delta V_{io})$	$V_{cc} = 1.8\text{ to }5\text{ V}$	76	93		dB
		$T_{min.} < T_{op} < T_{max.}$	74			
$A_{vd}$	Large signal voltage gain	$R_L = 10\text{ k}\Omega$ , $V_{out} = 0.5\text{ V to }4.5\text{ V}$	88	93		dB
		$T_{min} < T_{op} < T_{max}$	85			
$V_{OH}$	High level output voltage ( $V_{OH} = V_{CC} - V_{out}$ )	$R_L = 10\text{ k}\Omega$ $T_{min.} < T_{op} < T_{max.}$		7	35 50	mV
$V_{OL}$	Low level output voltage	$R_L = 10\text{ k}\Omega$ $T_{min.} < T_{op} < T_{max.}$		16	35 50	
$I_{out}$	Isink	$V_o = V_{CC}$ $T_{min.} < T_{op} < T_{max.}$	52 42	57		mA
	Isource	$V_o = 0\text{ V}$ $T_{min.} < T_{op} < T_{max.}$	58 49	63		
$I_{CC}$	Supply current (per operator)	No load, $V_{out} = V_{CC}/2$	7.5	10.5	14	$\mu\text{A}$
		$T_{min.} < T_{op} < T_{max.}$	7		15	
<b>AC performance</b>						
GBP	Gain bandwidth product	$R_L = 10\text{ k}\Omega$ , $C_L = 20\text{ pF}$		450		kHz
Gain	Minimum gain for stability	Phase margin = $60^{\circ}$ , $R_f = 10\text{ k}\Omega$ , $R_L = 10\text{ k}\Omega$ , $C_L = 20\text{ pF}$ , $T_{op} = 25\text{ }^{\circ}\text{C}$		5		V/V
SR	Slew rate	$R_L = 10\text{ k}\Omega$ , $C_L = 20\text{ pF}$ , $V_{out} = 0.5\text{V to }4.5\text{V}$		0.08		V/ $\mu\text{s}$
$e_n$	Equivalent input noise voltage	$f = 1\text{ kHz}$		105		$\frac{\text{nV}}{\sqrt{\text{Hz}}}$
THD+N	Total harmonic distortion + noise	$F_{in} = 1\text{ kHz}$ , $A_v = 5$ , $V_{out} = 1\text{ V}_{pp}$ , $R_L = 100\text{ k}\Omega$ , $BW = 22\text{ kHz}$		0.1		%

1. Guaranteed by design.

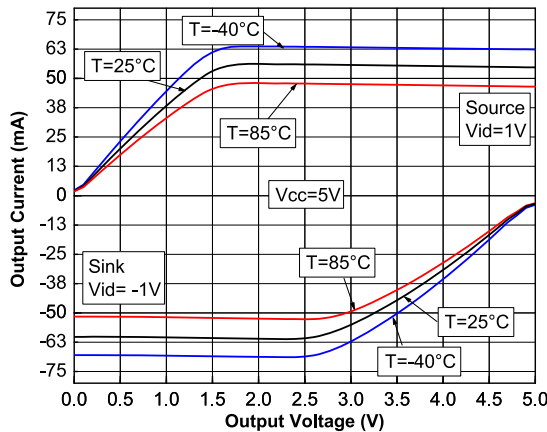
**Figure 1. Supply current vs. supply voltage at  $V_{icm} = V_{CC}/2$**



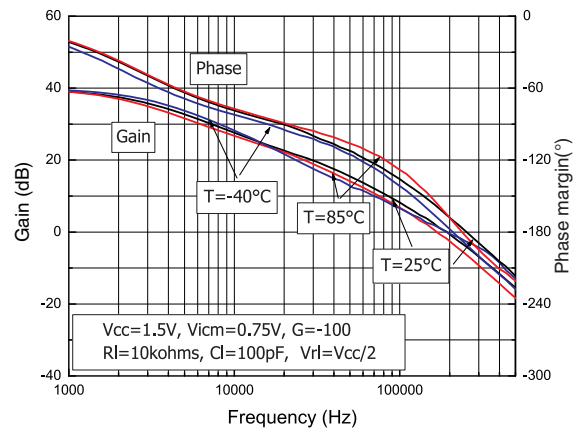
**Figure 2. Output current vs. output voltage at  $V_{CC} = 1.5V$**



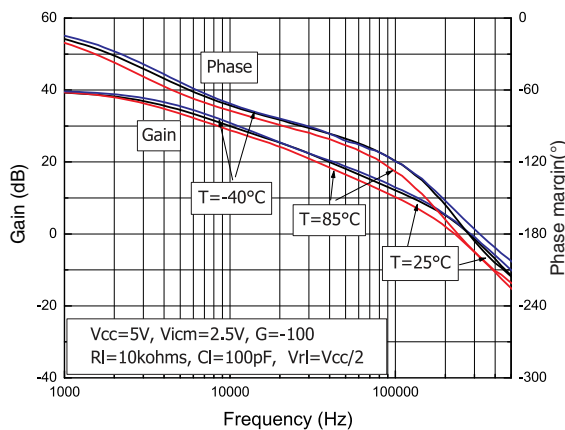
**Figure 3. Output current vs. output voltage at  $V_{CC} = 5V$**



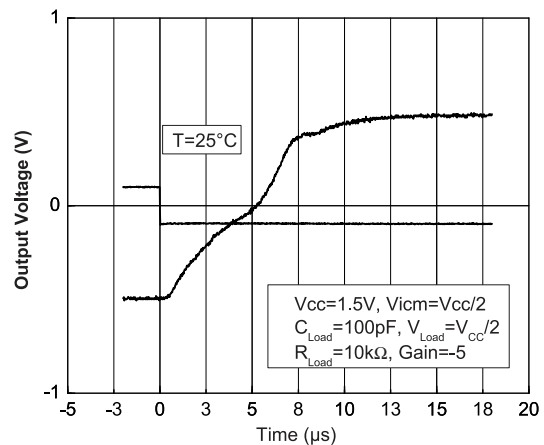
**Figure 4. Voltage gain and phase vs. frequency at  $V_{CC} = 1.5V$**

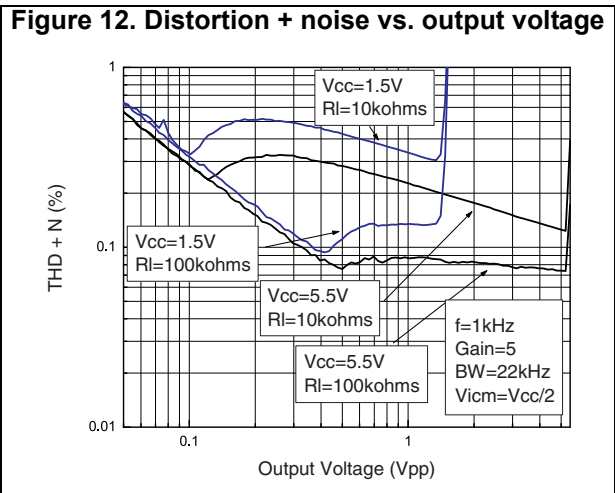
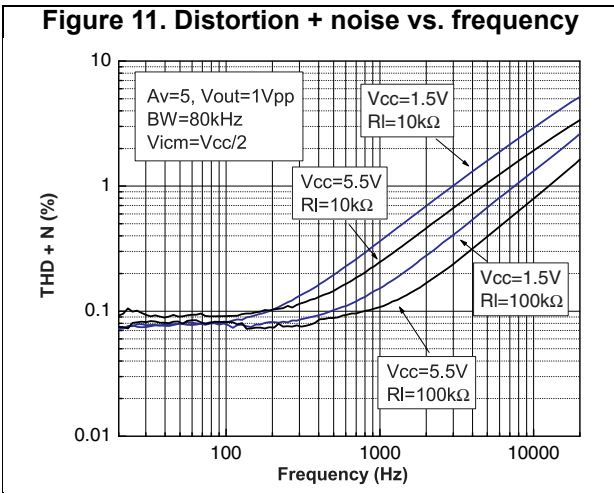
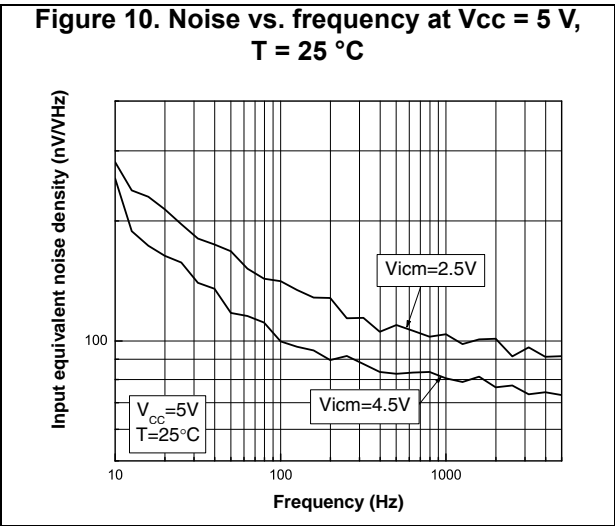
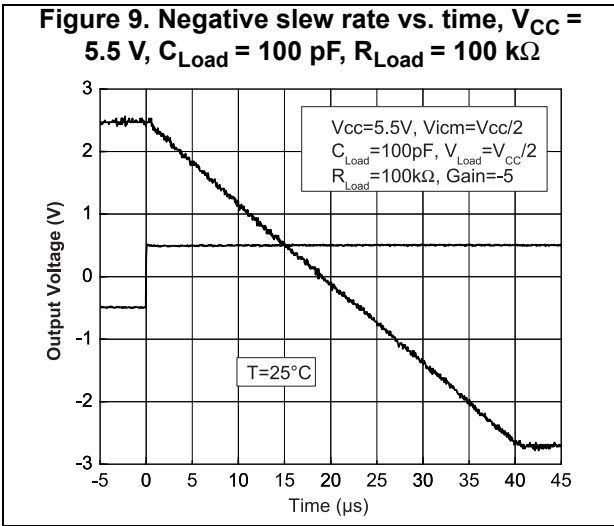
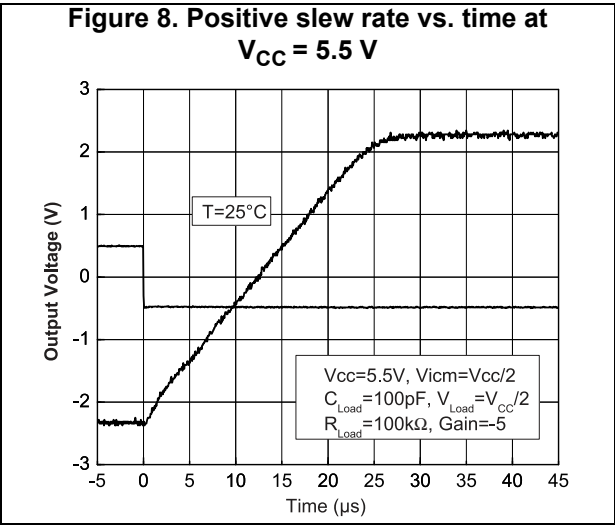
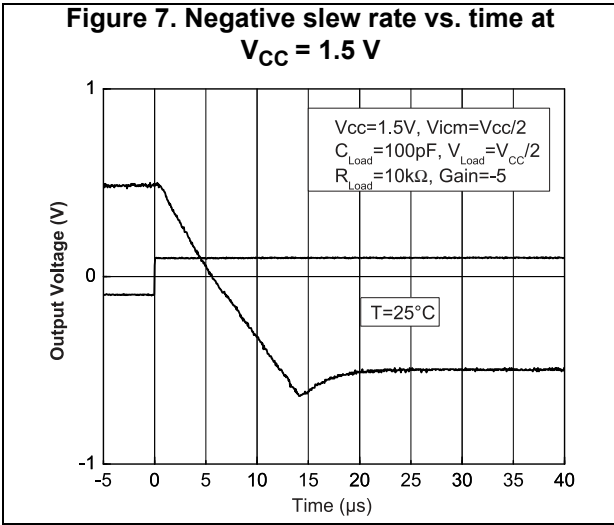


**Figure 5. Voltage gain and phase vs. frequency at  $V_{CC} = 5V$**



**Figure 6. Positive slew rate vs. time at  $V_{CC} = 1.5V$**







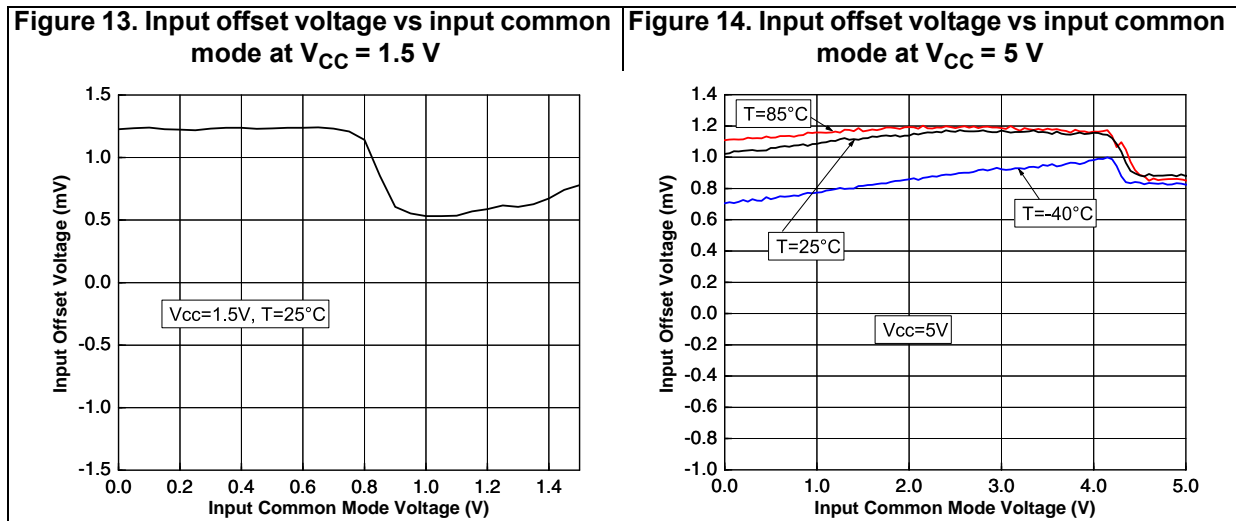
### 3 Application information

#### 3.1 Operating voltages

The TSV619x can operate from 1.5 to 5.5 V. Their parameters are fully specified for 1.8, 3.3, and 5 V power supplies. However, the parameters are very stable in the full  $V_{CC}$  range and several characterization curves show the TSV619x characteristics at 1.5 V. Additionally, the main specifications are guaranteed in extended temperature ranges from  $-40\text{ }^{\circ}\text{C}$  to  $85\text{ }^{\circ}\text{C}$ .

#### 3.2 Rail-to-rail input

The TSV619x are built with two complementary PMOS and NMOS input differential pairs. The devices have a rail-to-rail input, and the input common mode range is extended from  $V_{CC-} - 0.1\text{ V}$  to  $V_{CC+} + 0.1\text{ V}$ . The transition between the two pairs appears at  $V_{CC+} - 0.7\text{ V}$ . In the transition region, the performance of CMRR, PSRR,  $V_{io}$  and THD is slightly degraded (as shown in [Figure 13](#) and [Figure 14](#) for  $V_{io}$  vs.  $V_{icm}$ ).



The device is guaranteed without phase reversal.

#### 3.3 Rail-to-rail output

The operational amplifiers' output levels can go close to the rails: less than 35 mV above GND rail and less than 35 mV below  $V_{CC}$  rail when connected to 10 k $\Omega$  load to  $V_{CC}/2$ .

#### 3.4 PCB layouts

For correct operation, it is advised to add 10 nF decoupling capacitors as close as possible to the power supply pins.

### 3.5 Macromodel

An accurate macromodel of the TSV619x is available on STMicroelectronics' web site at [www.st.com](http://www.st.com). This model is a trade-off between accuracy and complexity (that is, time simulation) of the TSV619x operational amplifiers. It emulates the nominal performances of a typical device within the specified operating conditions mentioned in the datasheet. It also helps to validate a design approach and to select the right operational amplifier, *but it does not replace on-board measurements*.

## 4 Package information

In order to meet environmental requirements, ST offers these devices in different grades of ECOPACK<sup>®</sup> packages, depending on their level of environmental compliance. ECOPACK<sup>®</sup> specifications, grade definitions and product status are available at: [www.st.com](http://www.st.com). ECOPACK<sup>®</sup> is an ST trademark.

### 4.1 SOT23-5 package information

Figure 15. SOT23-5 package outline

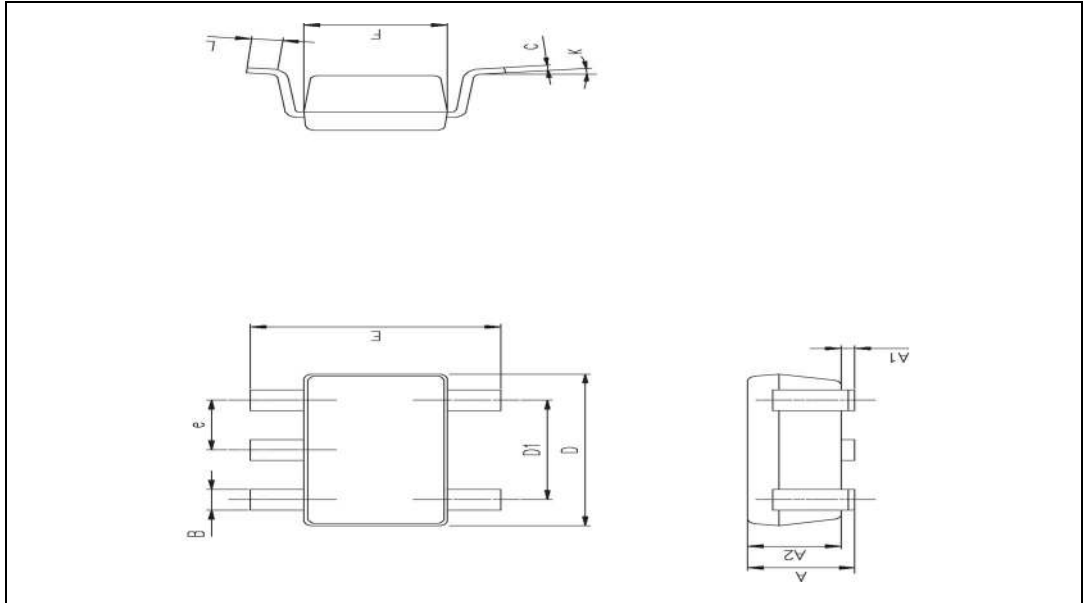


Table 6. SOT23-5 mechanical data

Ref.	Dimensions					
	Millimeters			Inches		
	Min.	Typ.	Max.	Min.	Typ.	Max.
A	0.90	1.20	1.45	0.035	0.047	0.057
A1			0.15			0.006
A2	0.90	1.05	1.30	0.035	0.041	0.051
B	0.35	0.40	0.50	0.013	0.015	0.019
C	0.09	0.15	0.20	0.003	0.006	0.008
D	2.80	2.90	3.00	0.110	0.114	0.118
D1		1.90			0.075	
e		0.95			0.037	
E	2.60	2.80	3.00	0.102	0.110	0.118
F	1.50	1.60	1.75	0.059	0.063	0.069
L	0.10	0.35	0.60	0.004	0.013	0.023
K	0 degrees		10 degrees			

## 4.2 SC70-5 (SOT323-5) package information

Figure 16. SC70-5 (SOT323-5) package outline

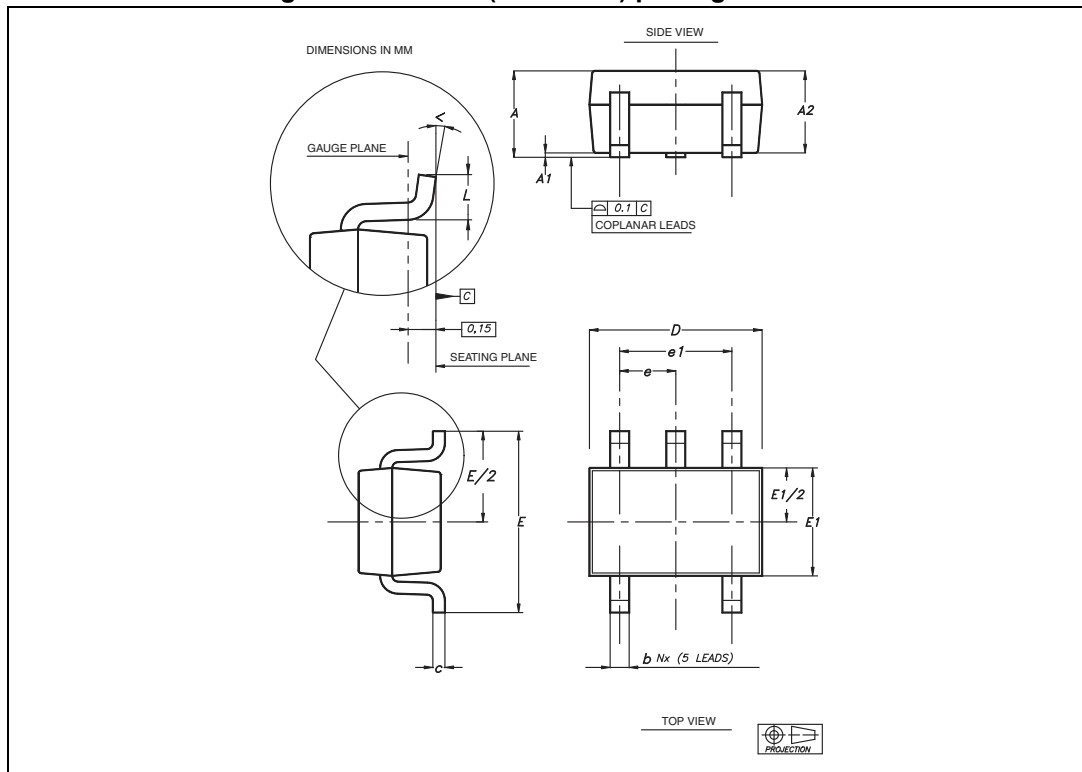


Table 7. SC70-5 (SOT323-5) mechanical data

Ref	Dimensions					
	Millimeters			Inches		
	Min	Typ	Max	Min	Typ	Max
A	0.80		1.10	0.315		0.043
A1			0.10			0.004
A2	0.80	0.90	1.00	0.315	0.035	0.039
b	0.15		0.30	0.006		0.012
c	0.10		0.22	0.004		0.009
D	1.80	2.00	2.20	0.071	0.079	0.087
E	1.80	2.10	2.40	0.071	0.083	0.094
E1	1.15	1.25	1.35	0.045	0.049	0.053
e		0.65			0.025	
e1		1.30			0.051	
L	0.26	0.36	0.46	0.010	0.014	0.018
$\alpha$	0°		8°			

### 4.3 SO8 package information

Figure 17. SO8 package outline

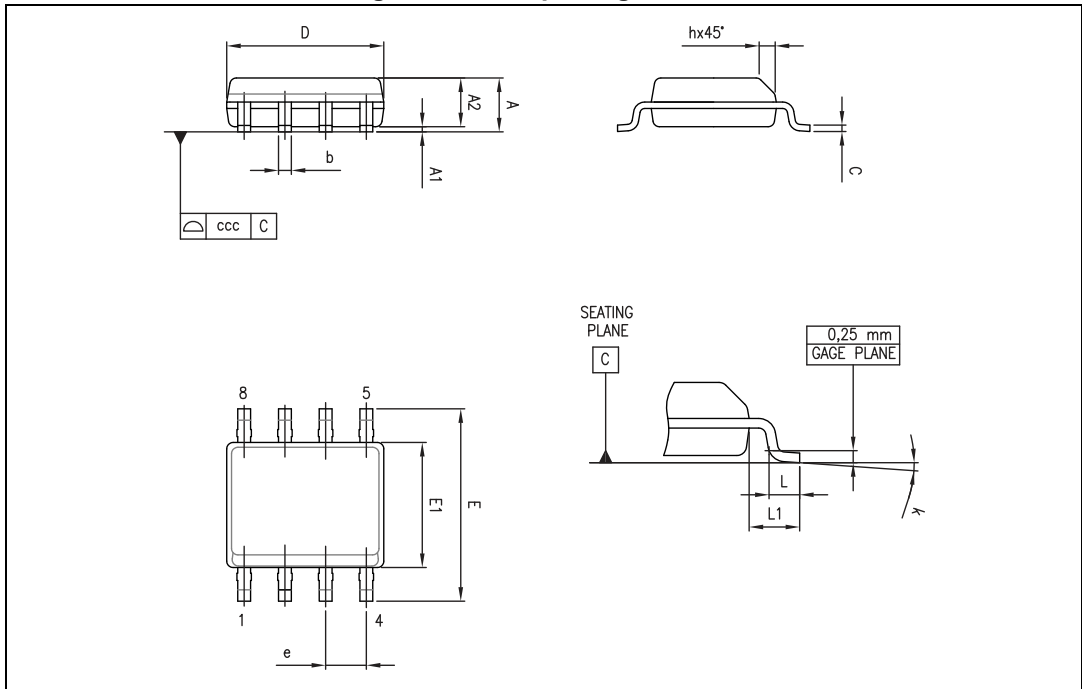


Table 8. SO8 mechanical data

Ref.	Dimensions					
	Millimeters			Inches		
	Min.	Typ.	Max.	Min.	Typ.	Max.
A			1.75			0.069
A1	0.10		0.25	0.004		0.010
A2	1.25			0.049		
b	0.28		0.48	0.011		0.019
c	0.17		0.23	0.007		0.010
D	4.80	4.90	5.00	0.189	0.193	0.197
E	5.80	6.00	6.20	0.228	0.236	0.244
E1	3.80	3.90	4.00	0.150	0.154	0.157
e		1.27			0.050	
h	0.25		0.50	0.010		0.020
L	0.40		1.27	0.016		0.050
L1		1.04			0.040	
k	1°		8°	1°		8°
ccc			0.10			0.004

### 4.4 MiniSO8 package information

Figure 18. MiniSO8 package outline

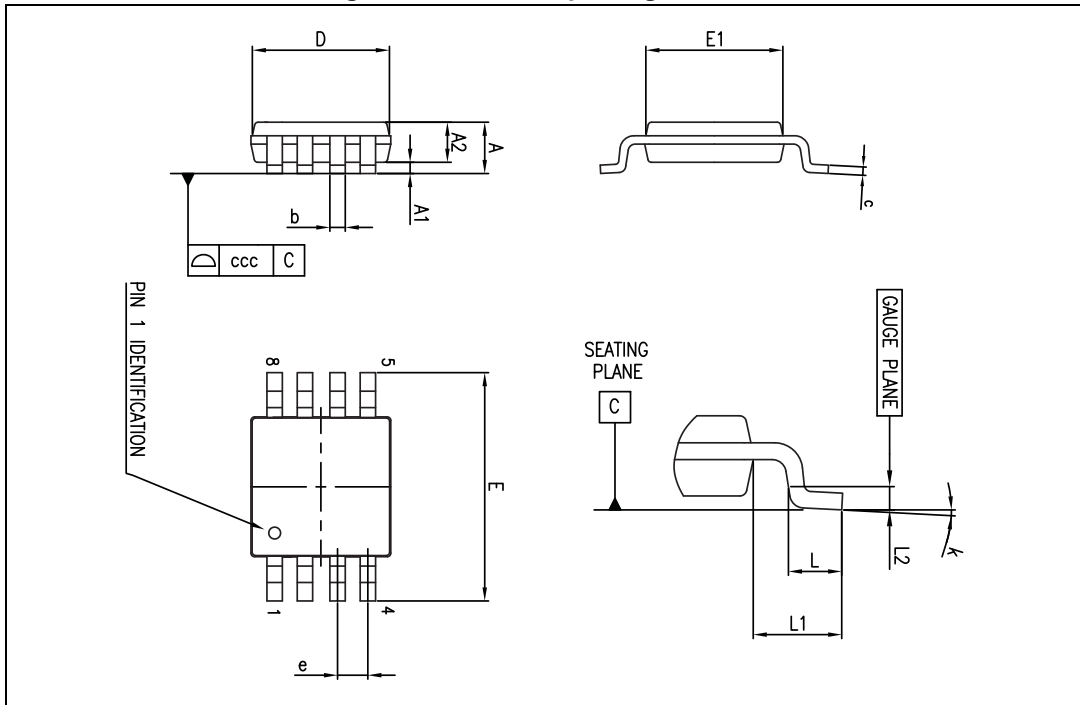


Table 9. MiniSO8 mechanical data

Ref.	Dimensions					
	Millimeters			Inches		
	Min.	Typ.	Max.	Min.	Typ.	Max.
A			1.1			0.043
A1	0		0.15	0		0.006
A2	0.75	0.85	0.95	0.030	0.033	0.037
b	0.22		0.40	0.009		0.016
c	0.08		0.23	0.003		0.009
D	2.80	3.00	3.20	0.11	0.118	0.126
E	4.65	4.90	5.15	0.183	0.193	0.203
E1	2.80	3.00	3.10	0.11	0.118	0.122
e		0.65			0.026	
L	0.40	0.60	0.80	0.016	0.024	0.031
L1		0.95			0.037	
L2		0.25			0.010	
k	0°		8°	0°		8°
ccc			0.10			0.004

## 5 Ordering information

Table 10. Order codes

Order code	Temperature range	Package	Packing	Marking
TSV6191ILT	-40 °C to 85 °C	SOT23-5	Tape and reel	K110
TSV6191AILT				K115
TSV6191ICT		SC70-5		K10
TSV6191AICT				K13
TSV6192IDT		SO-8		V6192I
TSV6192AIDT				V6192AI
TSV6192IST		MiniSO-8		K130
TSV6192AIST				K129



## 6 Revision history

Table 11. Document revision history

Date	Revision	Changes
04-Oct-2010	1	Initial release.
16-May-2017	2	<i>Table 3, Table 4, and Table 5</i> : changed “ $DV_{io}$ ” to $\Delta V_{io}/\Delta T$ , updated $V_{OH}$ parameter information, changed min. values for $V_{OH}$ parameter to max. values. <i>Table 10: Order codes</i> : removed obsolete order codes TSV6192ID and TSV6192AID

**IMPORTANT NOTICE – PLEASE READ CAREFULLY**

STMicroelectronics NV and its subsidiaries (“ST”) reserve the right to make changes, corrections, enhancements, modifications, and improvements to ST products and/or to this document at any time without notice. Purchasers should obtain the latest relevant information on ST products before placing orders. ST products are sold pursuant to ST’s terms and conditions of sale in place at the time of order acknowledgement.

Purchasers are solely responsible for the choice, selection, and use of ST products and ST assumes no liability for application assistance or the design of Purchasers’ products.

No license, express or implied, to any intellectual property right is granted by ST herein.

Resale of ST products with provisions different from the information set forth herein shall void any warranty granted by ST for such product.

ST and the ST logo are trademarks of ST. All other product or service names are the property of their respective owners.

Information in this document supersedes and replaces information previously supplied in any prior versions of this document.

© 2017 STMicroelectronics – All rights reserved