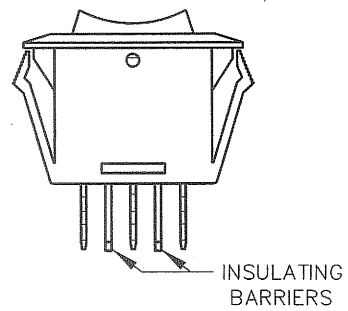
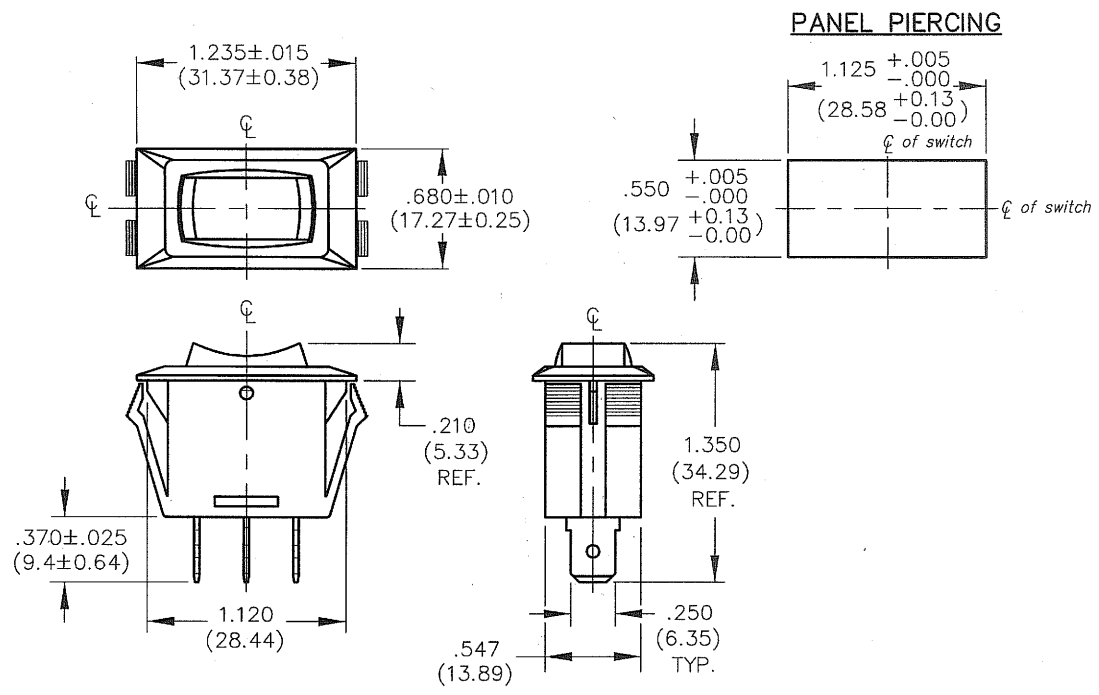


F
 D
 C
 B
 A

DIMENSIONS IN INCHES (MILLIMETERS)
 DO NOT SCALE DRAWING
 Dwg. No. **GRS-2013C-XXXX**

PANEL THICKNESS
 .025" to .180"
 (0.64mm to 4.57mm)

OPTIONAL BARRIERS:



1 2 3 4 5 6 7 8 9 10

B-FORMAT 2002	REVISIONS 0 RELEASED: 08-28-2010 DGW 08-25-2010
---------------	--

PDF FILE MADE	GW INDUSTRIES Southampton, Pa. 18966	Title: CENTER OFF ROCKER SWITCH WITH OPTIONS S.P.D.T. (MOM-OFF-MOM) 1.125 x .550 PANEL
	TOLERANCES UNLESS OTHERWISE SPECIFIED 2 Place Decimal $\pm .010$ METRIC 3 Place Decimal $\pm .005$ 1 Place Dec. $\pm .25$ mm Angles $\pm 1'$ 2 Place Dec. $\pm .13$ mm	Division: SWITCH Dwg. No. GRS-2013C-XXXX
	Made for: CW IND. Drawn by: DGW 7-28-2010 Checked by: G. Guld 8-16-10 Approval: <i>Edward H. [Signature] 8-18-10</i>	

MASTER