

SN5545xB, SN7545xB Dual-Peripheral Drivers for High-Current, High-Speed Switching

1 Features

- Characterized for Use to 300 mA
- High-Voltage Outputs up to 30 V
- No Output Latch-Up at 20 V (After Conducting 300 mA)
- High-Speed Switching
- Open-Collector Outputs
- Circuit Flexibility for Varied Applications
- TTL-Compatible Diode-Clamped Inputs
- Standard Supply Voltages

2 Applications

- High-Speed Logic Buffers
- Power Drivers
- Lamp Drivers
- LED Drivers
- Line Drivers
- Memory Drivers

3 Description

The SN5545xB and SN7545xB devices are dual-peripheral drivers designed for use in systems that employ TTL logic. This family is functionally interchangeable with and replaces the SN75450 family and the SN75450A family devices manufactured previously. The speed of the devices is equal to that of the SN75450 family, and the parts are designed to ensure freedom from latch-up. Diode-clamped inputs simplify circuit design.

The SNx5451B, SNx5452B, SNx5453B, and SNx5454B devices are dual peripheral AND, NAND, OR, and NOR drivers, respectively (assuming positive logic), with the output of the logic gates internally connected to the bases of the npn output transistors.

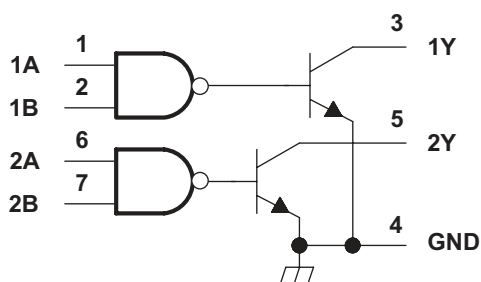
The SN5545xB drivers are characterized for operation over the full military range of -55°C to 125°C . The SN7545xB drivers are characterized for operation from 0°C to 70°C .

Device Information⁽¹⁾

| PART NUMBER | PACKAGE | BODY SIZE (NOM) |
|-------------|-----------|-------------------|
| SN7545xBP | PDIP (8) | 9.81 mm × 6.35 mm |
| SN7545xBD | SOIC (8) | 4.90 mm × 3.90 mm |
| SN7545xBPS | SO (8) | 6.20 mm × 5.30 mm |
| SN5545xBJG | CDIP (8) | 9.60 mm × 6.67 mm |
| SN5545xBFK | LCCC (20) | 8.89 mm × 8.89 mm |

(1) For all available packages, see the orderable addendum at the end of the data sheet.

SN75451B Logic Diagram



Copyright © 2016 Texas Instruments Incorporated



Table of Contents

| | | | |
|---|---|--|----|
| 1 Features | 1 | 9.3 Feature Description | 10 |
| 2 Applications | 1 | 9.4 Device Functional Modes | 10 |
| 3 Description | 1 | 10 Application and Implementation | 13 |
| 4 Revision History | 2 | 10.1 Application Information | 13 |
| 5 Device Comparison Table | 3 | 10.2 Typical Application | 13 |
| 6 Pin Configuration and Functions | 3 | 11 Power Supply Recommendations | 14 |
| 7 Specifications | 4 | 12 Layout | 14 |
| 7.1 Absolute Maximum Ratings | 4 | 12.1 Layout Guidelines | 14 |
| 7.2 Recommended Operating Conditions | 4 | 12.2 Layout Example | 14 |
| 7.3 Thermal Information | 4 | 13 Device and Documentation Support | 15 |
| 7.4 Electrical Characteristics | 5 | 13.1 Related Links | 15 |
| 7.5 Switching Characteristics, $V_{CC} = 5\text{ V}$, $T_A = 25^\circ\text{C}$ | 5 | 13.2 Receiving Notification of Documentation Updates | 15 |
| 7.6 Dissipation Ratings | 5 | 13.3 Community Resources | 15 |
| 7.7 Typical Characteristics | 6 | 13.4 Trademarks | 15 |
| 8 Parameter Measurement Information | 6 | 13.5 Electrostatic Discharge Caution | 15 |
| 9 Detailed Description | 9 | 13.6 Glossary | 15 |
| 9.1 Overview | 9 | 14 Mechanical, Packaging, and Orderable Information | 15 |
| 9.2 Functional Block Diagrams | 9 | | |

4 Revision History

| Changes from Revision C (May 2016) to Revision D | Page |
|--|------|
| • Replaced image <i>SN75451B Logic Diagram</i> | 1 |

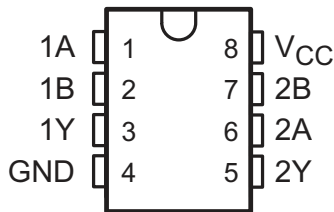
| Changes from Revision B (January 1999) to Revision C | Page |
|--|------|
| • Added <i>ESD Ratings</i> table, <i>Feature Description</i> section, <i>Device Functional Modes</i> , <i>Application and Implementation</i> section, <i>Power Supply Recommendations</i> section, <i>Layout</i> section, <i>Device and Documentation Support</i> section, and <i>Mechanical, Packaging, and Orderable Information</i> section. | 1 |

5 Device Comparison Table

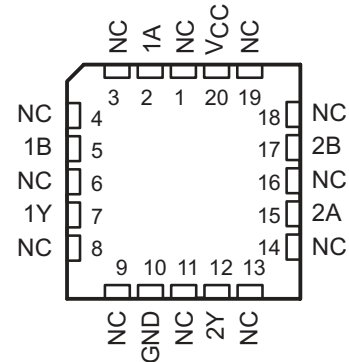
| DEVICE | LOGIC OF COMPLETE CIRCUIT | OPERATING FREE AIR TEMPERATURE RANGE |
|----------|---------------------------|--------------------------------------|
| SN55451B | AND | –55°C to 125°C |
| SN55452B | NAND | –55°C to 125°C |
| SN55453B | OR | –55°C to 125°C |
| SN55454B | NOR | –55°C to 125°C |
| SN75451B | AND | 0°C to 70°C |
| SN75452B | NAND | 0°C to 70°C |
| SN75453B | OR | 0°C to 70°C |
| SN75454B | NOR | 0°C to 70°C |

6 Pin Configuration and Functions

JG, D, P, or PS Package
8-Pin CDIP, SOIC, PDIP, or SO
Top View



FK Package
20-Pin LCCC
Top View



NC – No internal connection

Pin Functions

| NAME | PIN | | I/O | DESCRIPTION |
|------|----------------------|--|-----|-------------------------|
| | CDIP, SOIC, PDIP, SO | LCCC | | |
| 1A | 1 | 2 | I | Channel 1 Logic Input A |
| 1B | 2 | 5 | I | Channel 1 Logic Input B |
| 1Y | 3 | 7 | O | Channel 1 Driver |
| 2A | 6 | 15 | I | Channel 2 Logic Input A |
| 2B | 7 | 17 | I | Channel 2 Logic Input B |
| 2Y | 5 | 12 | O | Channel 2 Driver |
| GND | 4 | 10 | — | Ground |
| NC | — | 1, 3, 4, 6, 8, 9, 11, 13, 14, 16, 18, 19 | — | No Internal Connection |
| VCC | 8 | 20 | — | Supply Voltage |

7 Specifications

7.1 Absolute Maximum Ratings

over operating free-air temperature range (unless otherwise noted)⁽¹⁾

| | | MIN | MAX | UNIT | |
|------------------|---|---|-----|------|----|
| V _{CC} | Supply voltage, (see ⁽²⁾) | | 7 | V | |
| V _I | Input voltage | | 5.5 | V | |
| | Inter-emitter voltage (see Note ⁽³⁾) | | 5.5 | V | |
| V _O | Off-state output voltage | | 30 | V | |
| I _{OK} | Continuous collector or output current, (see Note ⁽⁴⁾) | | 400 | mA | |
| | Peak collector or output current, II (tw ≤ 10 ms, duty cycle ≤ 50%, see Note ⁽⁵⁾) | | 500 | mA | |
| | Continuous total power dissipation | See Dissipation Ratings | | | |
| T _A | Operating free-air temperature | SN5545xB | –55 | 125 | °C |
| | | SN7545xB | 0 | 70 | |
| | Case temperature for 60 seconds | SN5545xB FK package | | 260 | °C |
| | Lead temperature 1,6 mm (1/16 inch) from case for 60 seconds | SN5545xB JG package | | 100 | °C |
| | Lead temperature 1,6 mm (1/16 inch) from case for 10 seconds | SN7545xB D or P package | | 260 | °C |
| T _J | Operating virtual junction temperature | | 150 | °C | |
| T _{stg} | Storage temperature | –65 | 150 | °C | |

- (1) Stresses beyond those listed under *Absolute Maximum Ratings* may cause permanent damage to the device. These are stress ratings only, which do not imply functional operation of the device at these or any other conditions beyond those indicated under *Recommended Operating Conditions*. Exposure to absolute-maximum-rated conditions for extended periods may affect device reliability.
- (2) Voltage values are with respect to network GND, unless otherwise specified.
- (3) This is the voltage between two emitters of a multiple-emitter transistor.
- (4) This value applies when the base-emitter resistance (RBE) is equal to or less than 500 Ω.
- (5) Both halves of these dual circuits may conduct rated current simultaneously; however, power dissipation averaged over a short time interval must fall within the continuous dissipation rating.

7.2 Recommended Operating Conditions

over operating free-air temperature range (unless otherwise noted)

| | | MIN | NOM | MAX | UNIT | |
|-----------------|--------------------------------|----------|------|-----|------|----|
| V _{CC} | Supply voltage | SN5545xB | 4.5 | 5 | 5.5 | V |
| | | SN7545xB | 4.75 | 5 | 5.25 | |
| V _{IH} | High-level input voltage | 2 | | | V | |
| V _{IL} | Low-level input voltage | | | 0.8 | V | |
| T _A | Operating free-air temperature | SN5545xB | –50 | | 125 | °C |
| | | SN7545xB | 0 | | 70 | |

7.3 Thermal Information

| THERMAL METRIC ⁽¹⁾ | SN7545xB | | | UNIT | |
|-------------------------------|--|----------|---------|-------|------|
| | D (SOIC) | P (PDIP) | PS (SO) | | |
| | 8 PINS | 8 PINS | 8 PINS | | |
| R _{θJA} | Junction-to-ambient thermal resistance | 122.2 | 63.7 | 119.6 | °C/W |
| R _{θJC(top)} | Junction-to-case (top) thermal resistance | 68.4 | 53.6 | 71.5 | °C/W |
| R _{θJB} | Junction-to-board thermal resistance | 62.4 | 40.8 | 68.7 | °C/W |
| ψ _{JT} | Junction-to-top characterization parameter | 23.2 | 31.1 | 31.6 | °C/W |
| ψ _{JB} | Junction-to-board characterization parameter | 62.0 | 40.8 | 67.7 | °C/W |

- (1) For more information about traditional and new thermal metrics, see the [Semiconductor and IC Package Thermal Metrics](#) application report.

7.4 Electrical Characteristics

over operating free-air temperature range (unless otherwise noted)

| PARAMETER | | TEST CONDITIONS | | MIN | TYP | MAX | UNIT |
|-----------|--|--|----------|-----|------|------|---------------|
| V_{IK} | Input clamp voltage | $V_{CC} = \text{MIN}$, $I_I = -12 \text{ mA}$ | | | -1.2 | -1.5 | V |
| V_{OL} | Low-level output voltage | $V_{CC} = \text{MIN}$, $V_{IL} = 0.8 \text{ V}$, $I_{OL} = 100 \text{ mA}$ | SN5545xB | | 0.25 | 0.5 | V |
| | | | SN7545xB | | 0.25 | 0.4 | |
| | | $V_{CC} = \text{MIN}$, $V_{IL} = 0.8 \text{ V}$, $I_{OL} = 300 \text{ mA}$ | SN5545xB | | 0.5 | 0.8 | |
| | | | SN7545xB | | 0.5 | 0.7 | |
| I_{OH} | High-level output current | $V_{CC} = \text{MIN}$, $V_{IH} = \text{MIN}$, $V_{OH} = 30 \text{ V}$ | SN5545xB | | | 300 | μA |
| | | | SN7545xB | | | 100 | |
| I_I | Input current at maximum input voltage | $V_{CC} = \text{MAX}$, $V_I = 5.5 \text{ V}$ | | | | 1 | mA |
| I_{IH} | High-level input current | $V_{CC} = \text{MAX}$, $V_I = 2.4 \text{ V}$ | | | | 40 | μA |
| I_{IL} | Low-level input current | $V_{CC} = \text{MAX}$, $V_I = 0.4 \text{ V}$ | | | -1 | -1.6 | mA |
| I_{CCH} | Supply current, outputs high | $V_{CC} = \text{MAX}$, $V_I = 5 \text{ V}$ | SNx5451B | | 7 | 11 | mA |
| | | | SNx5453B | | 8 | 11 | |
| | | $V_{CC} = \text{MAX}$, $V_I = 0 \text{ V}$ | SNx5452B | | 11 | 14 | |
| | | | SNx5454B | | 13 | 17 | |
| I_{CCL} | Supply current, outputs low | $V_{CC} = \text{MAX}$, $V_I = 0 \text{ V}$ | SNx5451B | | 52 | 65 | mA |
| | | | SNx5453B | | 54 | 68 | |
| | | $V_{CC} = \text{MAX}$, $V_I = 5 \text{ V}$ | SNx5452B | | 56 | 71 | |
| | | | SNx5454B | | 61 | 79 | |

7.5 Switching Characteristics, $V_{CC} = 5 \text{ V}$, $T_A = 25^\circ\text{C}$

over operating free-air temperature range (unless otherwise noted)

| PARAMETER | | TEST CONDITIONS ⁽¹⁾ | | MIN | TYP ⁽²⁾ | MAX | UNIT |
|-----------|--|---|--------------------|-----|--------------------|-----|------|
| t_{PLH} | Propagation delay time, low-to-high-level output | $I_O \approx 200 \text{ mA}$, $C_L = 15 \text{ pF}$, $R_L = 50 \Omega$, L See Figure 2 | SNx5451B, SNx5453B | | 18 | 25 | ns |
| | | | SNx5452B | | 26 | 35 | |
| | | | SNx5454B | | 27 | 35 | |
| | | | SNx5451B, SNx5453B | | 18 | 25 | |
| t_{PHL} | Propagation delay time, high-to-low-level output | $I_O \approx 200 \text{ mA}$, $C_L = 15 \text{ pF}$, $R_L = 50 \Omega$, L See Figure 2 | SNx5452B, SNx5454B | | 24 | 35 | |
| | | | SNx5451B, SNx5453B | | 18 | 25 | |
| t_{TLH} | Transition time, low-to-high-level output | $I_O \approx 200 \text{ mA}$, $C_L = 15 \text{ pF}$, $R_L = 50 \Omega$, L See Figure 2 | | | 5 | 8 | |
| t_{THL} | Transition time, high-to-low-level output | $I_O \approx 200 \text{ mA}$, $C_L = 15 \text{ pF}$, $R_L = 50 \Omega$, L See Figure 2 | | | 7 | 12 | |
| V_{OH} | High level output voltage after switching | $V_S = 20 \text{ V}$, $I_O 9 \text{ 300 mA}$, See Figure 2 | SN5545xB | | $V_S - 6.5$ | | mV |
| | | | SN7545xB | | $V_S - 6.5$ | | |

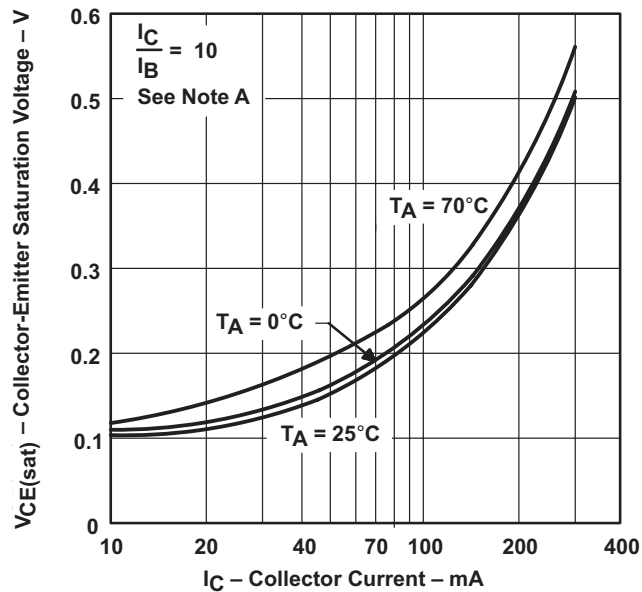
(1) For conditions shown as MIN or MAX, use the appropriate value specified under recommended operating conditions.

 (2) All typical values are at $V_{CC} = 5 \text{ V}$, $T_A = 25^\circ\text{C}$.

7.6 Dissipation Ratings

| PACKAGE | $T_A \leq 25^\circ\text{C}$ POWER RATING | DERATING FACTOR ABOVE $T_A = 25^\circ\text{C}$ | $T_A = 70^\circ\text{C}$ POWER RATING | $T_A = 125^\circ\text{C}$ POWER RATING |
|---------|---|---|--|---|
| D | 725 mW | 5.8 mW/ $^\circ\text{C}$ | 464 | — |
| FK | 1375 mW | 11.0 mW/ $^\circ\text{C}$ | 880 | 275 mW |
| JG | 1050 mW | 8.4 mW/ $^\circ\text{C}$ | 672 | 210 mW |
| P | 1000 mW | 8.0 mW/ $^\circ\text{C}$ | 640 | — |

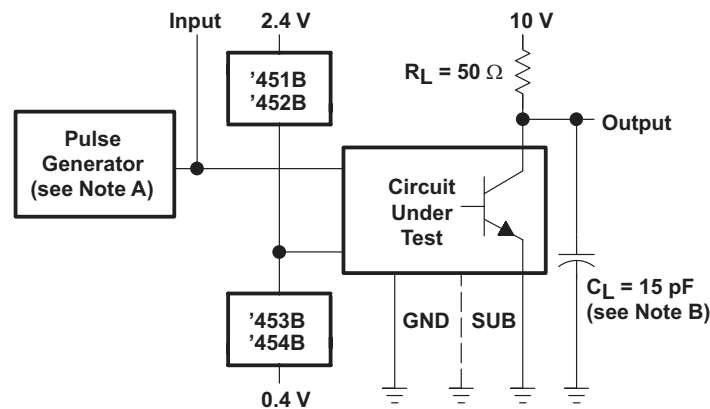
7.7 Typical Characteristics



NOTE A: These parameters must be measured using pulse techniques,
 $t_w = 300 \mu\text{s}$, duty cycle $\leq 2\%$.

Figure 1. Transistor Collector-Emitter Saturation Voltage vs Collector Current

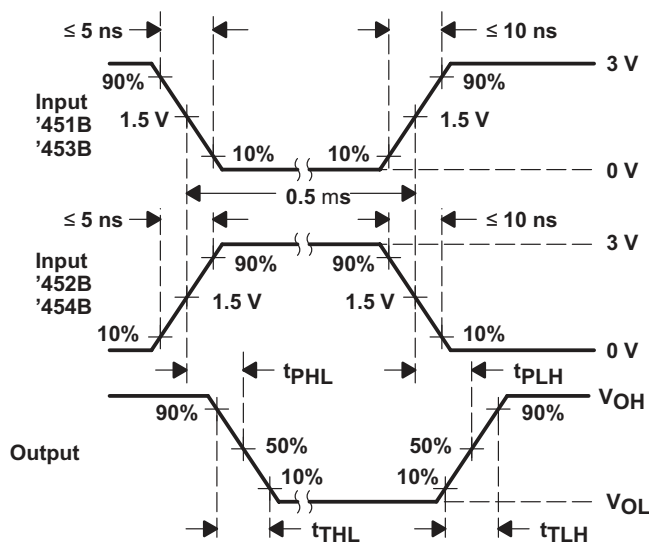
8 Parameter Measurement Information



- A. The pulse generator has the following characteristics: $\text{PRR} \leq 1 \text{ MHz}$, $\text{Z}_0 = 50 \Omega$.
- B. C_L includes probe and jig capacitance.

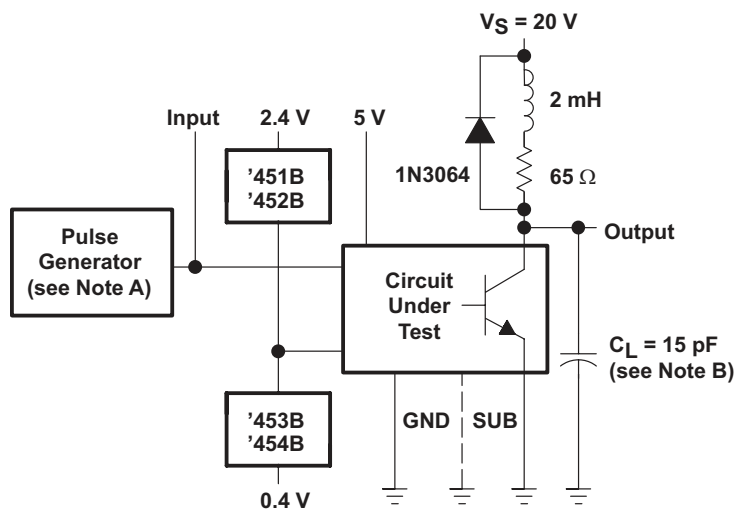
Figure 2. Test Circuit, Complete Drivers

Parameter Measurement Information (continued)



- A. The pulse generator has the following characteristics: PRR ≤ 1 MHz, ZO = 50 Ω.
- B. CL includes probe and jig capacitance.

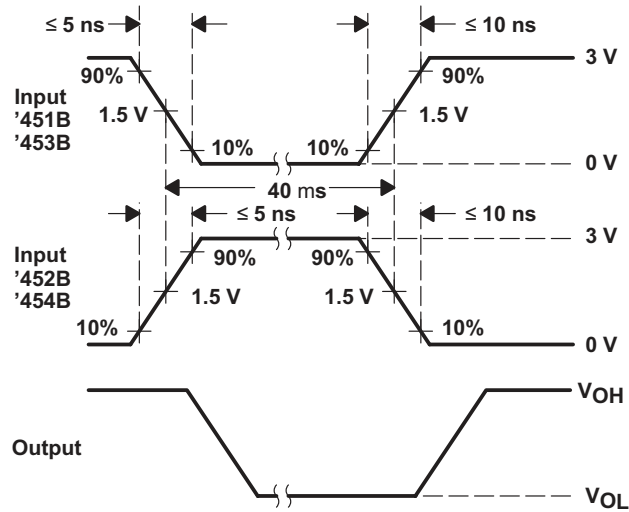
Figure 3. Waveforms, Complete Drivers



- A. The pulse generator has the following characteristics: PRR ≤ 12.5 kHz, ZO = 50 Ω.
- B. CL includes probe and jig capacitance.

Figure 4. Test Circuit for Latch-Up Test of Complete Drivers

Parameter Measurement Information (continued)



- A. The pulse generator has the following characteristics: PRR $\leq 12.5\text{ kHz}$, $Z_O = 50\ \Omega$.
- B. CL includes probe and jig capacitance.

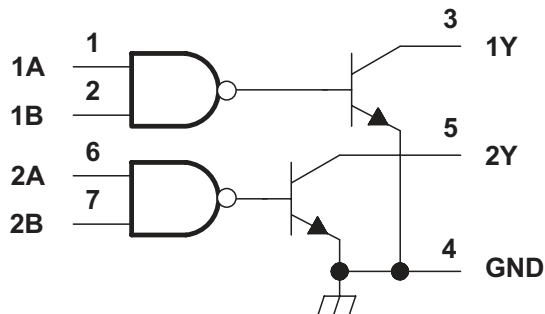
Figure 5. Voltage Waveforms for Latch-Up Test of Complete Drivers

9 Detailed Description

9.1 Overview

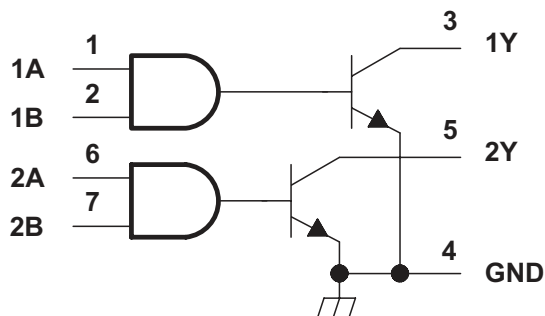
The SN7545xB and SN5545xB devices provide dual-output drivers with AND, NAND, NOR, or OR logic inputs. If each logic input is set to the appropriate voltage level, then the output driver will turn on, pulling the driver to ground and allowing current to flow.

9.2 Functional Block Diagrams



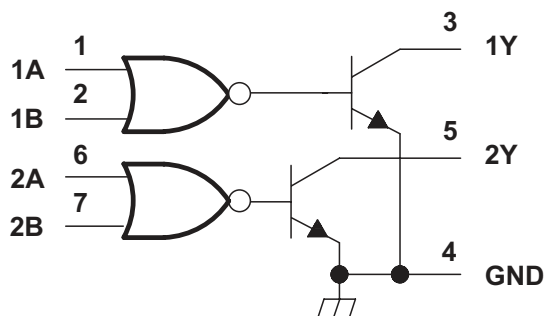
Copyright © 2016 Texas Instruments Incorporated

Figure 6. SNx5451B Logic Diagram (Positive Logic)



Copyright © 2016 Texas Instruments Incorporated

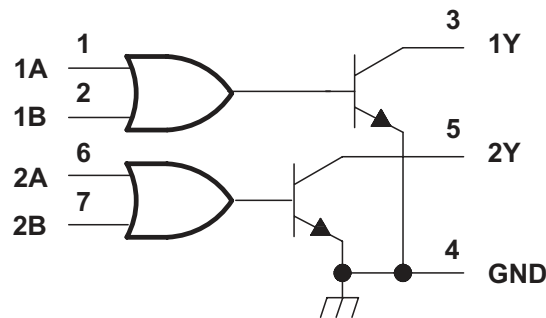
Figure 7. SNx5452B Logic Diagram (Positive Logic)



Copyright © 2016 Texas Instruments Incorporated

Figure 8. SNx5453B Logic Diagram (Positive Logic)

Functional Block Diagrams (continued)



Copyright © 2016 Texas Instruments Incorporated

Figure 9. SNx5454B Logic Diagram (Positive Logic)

9.3 Feature Description

The SNx5451B devices allow for high current driving up to 300 mA. This family of devices have AND, NAND, OR, or NOR input logic gates to allow for a wide variety of applications. The SN7545xB devices are rated for a commercial temperature range of 0°C to 70°C, and the SN5545xB devices are rated for a military temperature range of –65°C to 125°C.

9.4 Device Functional Modes

Table 1, Table 2, Table 3, and Table 4 list the functional modes of the SNx545xB.



Figure 10. SNx5451B Logic Symbol

Table 1. SNx5451B Function Table

| A | B | Y ⁽¹⁾ |
|---|---|------------------|
| L | L | L (on state) |
| L | H | L (on state) |
| H | L | L (on state) |
| H | H | H (off state) |

(1) Positive logic: $Y = AB$ or $\text{NOT}(\bar{A} + \bar{B})$

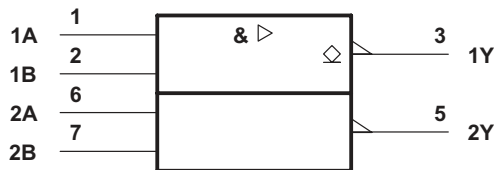


Figure 11. SNx5452B Logic Symbol

Table 2. SNx5452B Function Table

| A | B | Y ⁽¹⁾ |
|---|---|------------------|
| L | L | H (off state) |
| L | H | H (off state) |
| H | L | H (off state) |
| H | H | L (on state) |

(1) Positive logic: $Y = \overline{AB}$ or $\overline{A} + \overline{B}$

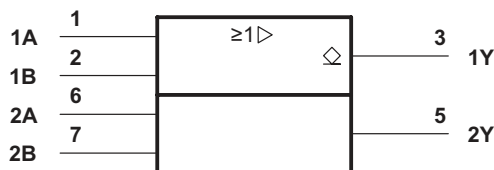


Figure 12. SNx5453B Logic Symbol

Table 3. SNx5453B Function Table

| A | B | Y ⁽¹⁾ |
|---|---|------------------|
| L | L | L (on state) |
| L | H | H (off state) |
| H | L | H (off state) |
| H | H | H (off state) |

(1) Positive logic: $Y = AB$ or $\text{NOT}(\overline{A} + \overline{B})$

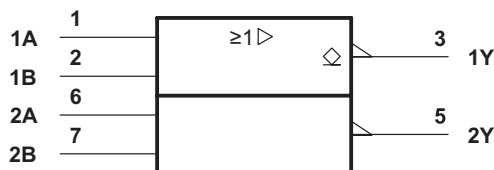


Figure 13. SNx5454B Logic Symbol

Table 4. SNx5454B Function Table

| A | B | Y ⁽¹⁾ |
|---|---|------------------|
| L | L | H (off state) |
| L | H | L (on state) |
| H | L | L (on state) |
| H | H | L (on state) |

(1) Positive logic: $Y = \overline{A+B}$ or $\overline{A} \overline{B}$

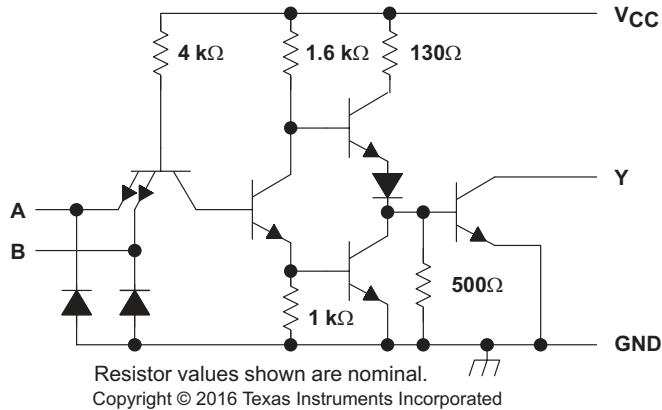


Figure 14. SNx5451B Schematic (Each Driver)

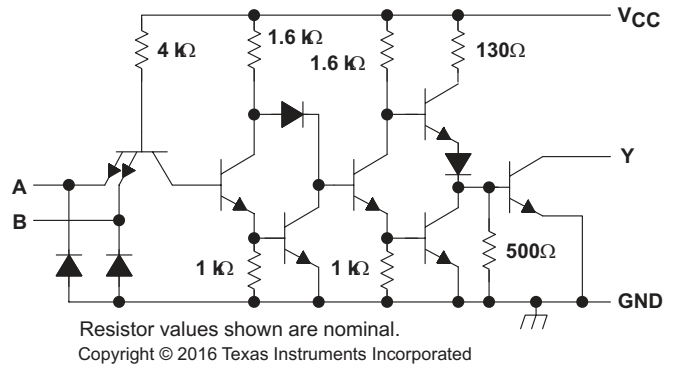


Figure 15. SNx5452B Schematic (Each Driver)

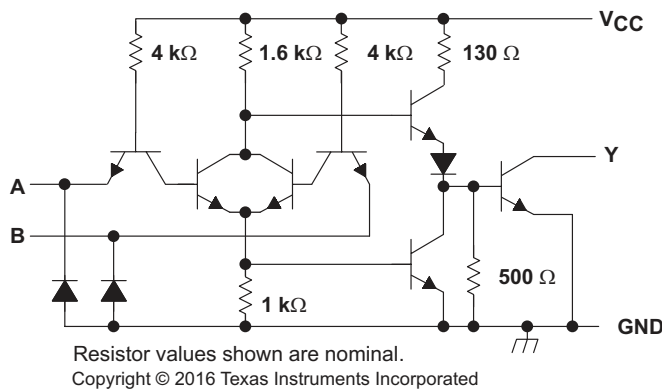


Figure 16. SNx5453B Schematic (Each Driver)

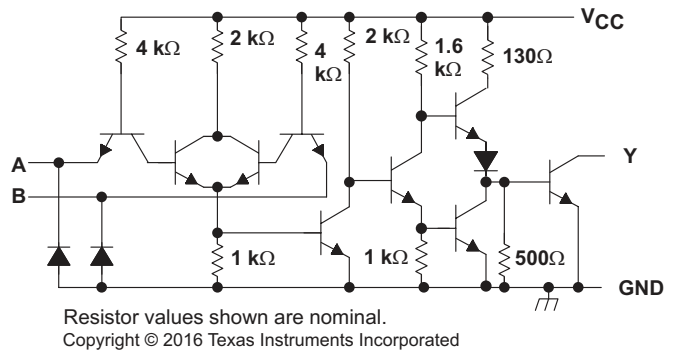


Figure 17. SNx5454B Schematic (Each Driver)

10 Application and Implementation

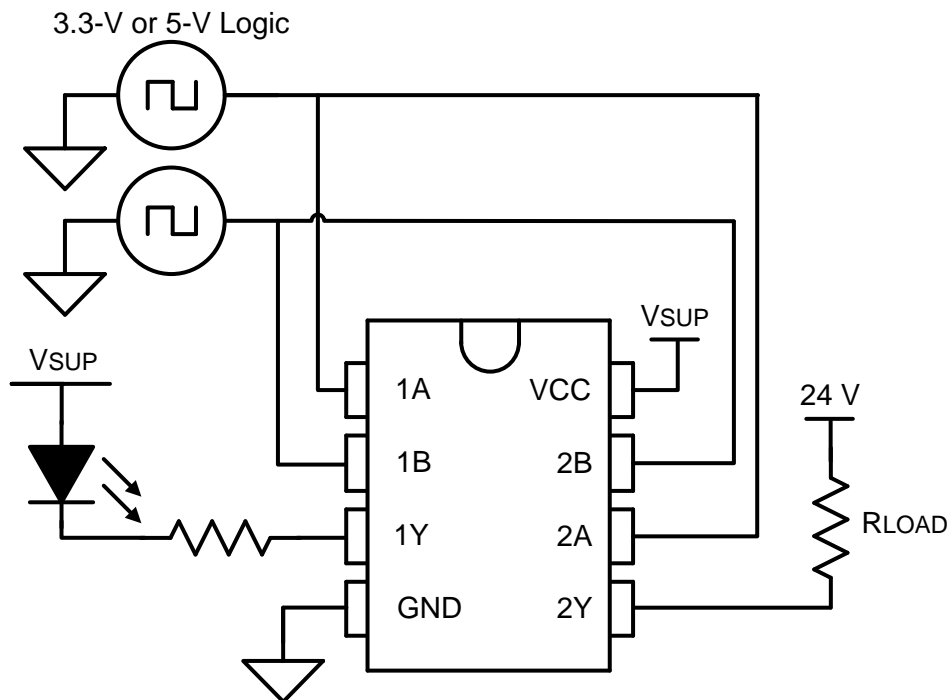
NOTE

Information in the following applications sections is not part of the TI component specification, and TI does not warrant its accuracy or completeness. TI's customers are responsible for determining suitability of components for their purposes. Customers should validate and test their design implementation to confirm system functionality.

10.1 Application Information

Typically the SN75451B device drives a high-voltage or high-current peripheral from an MCU or logic device that cannot tolerate these conditions. The following design is a common application of the SN75451B device, driving an LED using one channel and a high voltage peripheral using the other. In this configuration, the LED will turn on whenever the high voltage peripheral is on.

10.2 Typical Application



Copyright © 2016, Texas Instruments Incorporated

Figure 18. SN75451B Driving an LED and a High Voltage Peripheral

10.2.1 Design Requirements

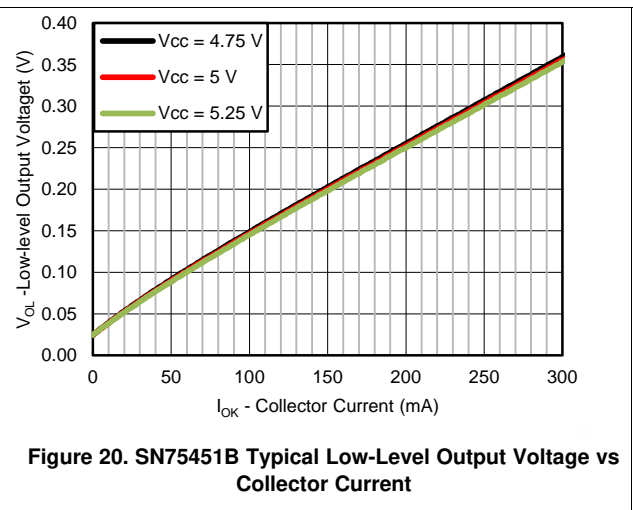
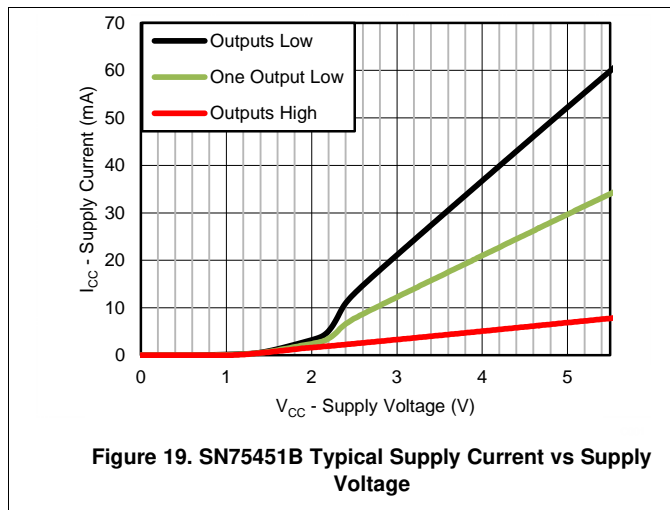
Each of the inputs to the logic gate should never float. If one of the inputs is floating, then the logic gate could be in an unknown state. Be sure to connect ground or V_{CC} to any unused input channels.

10.2.2 Detailed Design Procedure

- Recommended Input Conditions:
 - For specified high and low levels, see V_{IH} and V_{IL} in [Recommended Operating Conditions](#).
 - The input voltage must not exceed the V_I specified in [Absolute Maximum Ratings](#).
- Recommended Output Conditions:
 - It is recommended that the load current not exceed 300 mA.
 - The load current must never exceed the I_{OK} noted in [Absolute Maximum Ratings](#).

Typical Application (continued)

10.2.3 Application Curves



11 Power Supply Recommendations

The power supply can be any voltage between the minimum and maximum supply voltage rating located in [Recommended Operating Conditions](#). The V_{CC} pin should have a bypass capacitor to prevent power disturbance. A 0.1- μF capacitor is suitable for this device.

12 Layout

12.1 Layout Guidelines

Thin traces can be used on the input due to the low-current logic that is used to drive the SNx545xB devices. Take care to separate the input channels to eliminate crosstalk. These traces are recommended for the output to be able to drive high currents. Be sure to connect ground or V_{CC} to any unused input channels, and use a bypass capacitor on the V_{CC} pin to prevent any power glitches.

12.2 Layout Example

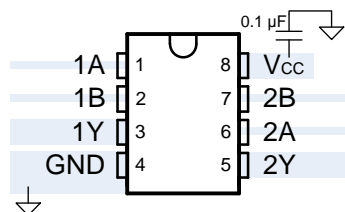


Figure 21. SN75451BD Layout

13 Device and Documentation Support

13.1 Related Links

The table below lists quick access links. Categories include technical documents, support and community resources, tools and software, and quick access to sample or buy.

Table 5. Related Links

| PARTS | PRODUCT FOLDER | ORDER NOW | TECHNICAL DOCUMENTS | TOOLS & SOFTWARE | SUPPORT & COMMUNITY |
|----------|----------------------------|----------------------------|----------------------------|----------------------------|----------------------------|
| SN55451B | Click here | Click here | Click here | Click here | Click here |
| SN55452B | Click here | Click here | Click here | Click here | Click here |
| SN55453B | Click here | Click here | Click here | Click here | Click here |
| SN55454B | Click here | Click here | Click here | Click here | Click here |
| SN75451B | Click here | Click here | Click here | Click here | Click here |
| SN75452B | Click here | Click here | Click here | Click here | Click here |
| SN75453B | Click here | Click here | Click here | Click here | Click here |
| SN75454B | Click here | Click here | Click here | Click here | Click here |

13.2 Receiving Notification of Documentation Updates

To receive notification of documentation updates, navigate to the device product folder on ti.com. In the upper right corner, click on *Alert me* to register and receive a weekly digest of any product information that has changed. For change details, review the revision history included in any revised document.

13.3 Community Resources

The following links connect to TI community resources. Linked contents are provided "AS IS" by the respective contributors. They do not constitute TI specifications and do not necessarily reflect TI's views; see TI's [Terms of Use](#).

TI E2E™ Online Community *TI's Engineer-to-Engineer (E2E) Community*. Created to foster collaboration among engineers. At e2e.ti.com, you can ask questions, share knowledge, explore ideas and help solve problems with fellow engineers.

Design Support *TI's Design Support* Quickly find helpful E2E forums along with design support tools and contact information for technical support.

13.4 Trademarks

E2E is a trademark of Texas Instruments.
All other trademarks are the property of their respective owners.

13.5 Electrostatic Discharge Caution



These devices have limited built-in ESD protection. The leads should be shorted together or the device placed in conductive foam during storage or handling to prevent electrostatic damage to the MOS gates.

13.6 Glossary

SLYZ022 — *TI Glossary*.

This glossary lists and explains terms, acronyms, and definitions.

14 Mechanical, Packaging, and Orderable Information

The following pages include mechanical, packaging, and orderable information. This information is the most current data available for the designated devices. This data is subject to change without notice and revision of this document. For browser-based versions of this data sheet, refer to the left-hand navigation.

PACKAGING INFORMATION

| Orderable Device | Status (1) | Package Type | Package Drawing | Pins | Package Qty | Eco Plan (2) | Lead finish/ Ball material (6) | MSL Peak Temp (3) | Op Temp (°C) | Device Marking (4/5) | Samples |
|------------------|---------------|--------------|-----------------|------|-------------|---------------------|--------------------------------------|----------------------|--------------|--|-------------------------|
| 5962-9563301Q2A | ACTIVE | LCCC | FK | 20 | 1 | Non-RoHS & Green | SNPB | N / A for Pkg Type | -55 to 125 | 5962- 9563301Q2A SNJ55 453BFK | Samples |
| 5962-9563301QPA | ACTIVE | CDIP | JG | 8 | 1 | Non-RoHS & Green | SNPB | N / A for Pkg Type | -55 to 125 | 9563301QPA SNJ55453B | Samples |
| 77049012A | ACTIVE | LCCC | FK | 20 | 1 | Non-RoHS & Green | SNPB | N / A for Pkg Type | -55 to 125 | 77049012A SNJ55 452BFK | Samples |
| 7704901PA | ACTIVE | CDIP | JG | 8 | 1 | Non-RoHS & Green | SNPB | N / A for Pkg Type | -55 to 125 | 7704901PA SNJ55452B | Samples |
| 77049022A | ACTIVE | LCCC | FK | 20 | 1 | Non-RoHS & Green | SNPB | N / A for Pkg Type | -55 to 125 | 77049022A SNJ55 451BFK | Samples |
| 7704902PA | ACTIVE | CDIP | JG | 8 | 1 | Non-RoHS & Green | SNPB | N / A for Pkg Type | -55 to 125 | 7704902PA SNJ55451B | Samples |
| JM38510/12902BPA | ACTIVE | CDIP | JG | 8 | 1 | Non-RoHS & Green | SNPB | N / A for Pkg Type | -55 to 125 | JM38510 /12902BPA | Samples |
| JM38510/12903BPA | ACTIVE | CDIP | JG | 8 | 1 | Non-RoHS & Green | SNPB | N / A for Pkg Type | -55 to 125 | JM38510 /12903BPA | Samples |
| JM38510/12905BPA | ACTIVE | CDIP | JG | 8 | 1 | Non-RoHS & Green | SNPB | N / A for Pkg Type | -55 to 125 | JM38510 /12905BPA | Samples |
| M38510/12902BPA | ACTIVE | CDIP | JG | 8 | 1 | Non-RoHS & Green | SNPB | N / A for Pkg Type | -55 to 125 | JM38510 /12902BPA | Samples |
| M38510/12903BPA | ACTIVE | CDIP | JG | 8 | 1 | Non-RoHS & Green | SNPB | N / A for Pkg Type | -55 to 125 | JM38510 /12903BPA | Samples |
| M38510/12905BPA | ACTIVE | CDIP | JG | 8 | 1 | Non-RoHS & Green | SNPB | N / A for Pkg Type | -55 to 125 | JM38510 /12905BPA | Samples |
| SN55451BJG | ACTIVE | CDIP | JG | 8 | 50 | Non-RoHS & Green | SNPB | N / A for Pkg Type | -55 to 125 | SN55451BJG | Samples |
| SN55452BJG | ACTIVE | CDIP | JG | 8 | 1 | Non-RoHS & Green | SNPB | N / A for Pkg Type | -55 to 125 | SN55452BJG | Samples |
| SN55453BJG | ACTIVE | CDIP | JG | 8 | 1 | Non-RoHS & Green | SNPB | N / A for Pkg Type | -55 to 125 | SN55453BJG | Samples |

| Orderable Device | Status (1) | Package Type | Package Drawing | Pins | Package Qty | Eco Plan (2) | Lead finish/ Ball material (6) | MSL Peak Temp (3) | Op Temp (°C) | Device Marking (4/5) | Samples |
|------------------|---------------|--------------|-----------------|------|-------------|------------------|--------------------------------------|----------------------|--------------|-------------------------|-------------------------|
| SN55454BJG | ACTIVE | CDIP | JG | 8 | 1 | Non-RoHS & Green | SNPB | N / A for Pkg Type | -55 to 125 | SN55454BJG | Samples |
| SN75451BD | ACTIVE | SOIC | D | 8 | 75 | RoHS & Green | NIPDAU | Level-1-260C-UNLIM | 0 to 70 | 75451B | Samples |
| SN75451BDE4 | ACTIVE | SOIC | D | 8 | 75 | RoHS & Green | NIPDAU | Level-1-260C-UNLIM | 0 to 70 | 75451B | Samples |
| SN75451BDR | ACTIVE | SOIC | D | 8 | 2500 | RoHS & Green | NIPDAU | Level-1-260C-UNLIM | 0 to 70 | 75451B | Samples |
| SN75451BDRE4 | ACTIVE | SOIC | D | 8 | 2500 | RoHS & Green | NIPDAU | Level-1-260C-UNLIM | 0 to 70 | 75451B | Samples |
| SN75451BDRG4 | ACTIVE | SOIC | D | 8 | 2500 | RoHS & Green | NIPDAU | Level-1-260C-UNLIM | 0 to 70 | 75451B | Samples |
| SN75451BP | ACTIVE | PDIP | P | 8 | 50 | RoHS & Green | NIPDAU | N / A for Pkg Type | 0 to 70 | SN75451BP | Samples |
| SN75451BPE4 | ACTIVE | PDIP | P | 8 | 50 | RoHS & Green | NIPDAU | N / A for Pkg Type | 0 to 70 | SN75451BP | Samples |
| SN75451BPS | ACTIVE | SO | PS | 8 | 80 | RoHS & Green | NIPDAU | Level-1-260C-UNLIM | | A451B | Samples |
| SN75451BPSR | ACTIVE | SO | PS | 8 | 2000 | RoHS & Green | NIPDAU | Level-1-260C-UNLIM | 0 to 70 | A451B | Samples |
| SN75452BD | ACTIVE | SOIC | D | 8 | 75 | RoHS & Green | NIPDAU | Level-1-260C-UNLIM | 0 to 70 | 75452B | Samples |
| SN75452BDE4 | ACTIVE | SOIC | D | 8 | 75 | RoHS & Green | NIPDAU | Level-1-260C-UNLIM | 0 to 70 | 75452B | Samples |
| SN75452BDR | ACTIVE | SOIC | D | 8 | 2500 | RoHS & Green | NIPDAU | Level-1-260C-UNLIM | 0 to 70 | 75452B | Samples |
| SN75452BDRE4 | ACTIVE | SOIC | D | 8 | 2500 | RoHS & Green | NIPDAU | Level-1-260C-UNLIM | 0 to 70 | 75452B | Samples |
| SN75452BDRG4 | ACTIVE | SOIC | D | 8 | 2500 | RoHS & Green | NIPDAU | Level-1-260C-UNLIM | 0 to 70 | 75452B | Samples |
| SN75452BP | ACTIVE | PDIP | P | 8 | 50 | RoHS & Green | NIPDAU | N / A for Pkg Type | 0 to 70 | SN75452BP | Samples |
| SN75452BPE4 | ACTIVE | PDIP | P | 8 | 50 | RoHS & Green | NIPDAU | N / A for Pkg Type | 0 to 70 | SN75452BP | Samples |
| SN75452BPS | ACTIVE | SO | PS | 8 | 80 | RoHS & Green | NIPDAU | Level-1-260C-UNLIM | | A452B | Samples |
| SN75452BPSR | ACTIVE | SO | PS | 8 | 2000 | RoHS & Green | NIPDAU | Level-1-260C-UNLIM | 0 to 70 | A452B | Samples |
| SN75452BPSRG4 | ACTIVE | SO | PS | 8 | 2000 | RoHS & Green | NIPDAU | Level-1-260C-UNLIM | 0 to 70 | A452B | Samples |
| SN75453BD | ACTIVE | SOIC | D | 8 | 75 | RoHS & Green | NIPDAU | Level-1-260C-UNLIM | 0 to 70 | 75453B | Samples |

| Orderable Device | Status (1) | Package Type | Package Drawing | Pins | Package Qty | Eco Plan (2) | Lead finish/ Ball material (6) | MSL Peak Temp (3) | Op Temp (°C) | Device Marking (4/5) | Samples |
|------------------|---------------|--------------|-----------------|------|-------------|------------------|--------------------------------------|----------------------|--------------|---|-------------------------|
| SN75453BDR | ACTIVE | SOIC | D | 8 | 2500 | RoHS & Green | NIPDAU | Level-1-260C-UNLIM | 0 to 70 | 75453B | Samples |
| SN75453BDRG4 | ACTIVE | SOIC | D | 8 | 2500 | RoHS & Green | NIPDAU | Level-1-260C-UNLIM | 0 to 70 | 75453B | Samples |
| SN75453BP | ACTIVE | PDIP | P | 8 | 50 | RoHS & Green | NIPDAU | N / A for Pkg Type | 0 to 70 | SN75453BP | Samples |
| SN75453BPE4 | ACTIVE | PDIP | P | 8 | 50 | RoHS & Green | NIPDAU | N / A for Pkg Type | 0 to 70 | SN75453BP | Samples |
| SN75453BPSR | ACTIVE | SO | PS | 8 | 2000 | RoHS & Green | NIPDAU | Level-1-260C-UNLIM | 0 to 70 | A453B | Samples |
| SN75454BD | ACTIVE | SOIC | D | 8 | 75 | RoHS & Green | NIPDAU | Level-1-260C-UNLIM | 0 to 70 | 75454B | Samples |
| SN75454BDR | ACTIVE | SOIC | D | 8 | 2500 | RoHS & Green | NIPDAU | Level-1-260C-UNLIM | 0 to 70 | 75454B | Samples |
| SN75454BP | ACTIVE | PDIP | P | 8 | 50 | RoHS & Green | NIPDAU | N / A for Pkg Type | 0 to 70 | SN75454BP | Samples |
| SN75454BPE4 | ACTIVE | PDIP | P | 8 | 50 | RoHS & Green | NIPDAU | N / A for Pkg Type | 0 to 70 | SN75454BP | Samples |
| SN75454BPSR | ACTIVE | SO | PS | 8 | 2000 | RoHS & Green | NIPDAU | Level-1-260C-UNLIM | 0 to 70 | A454B | Samples |
| SNJ55451BFBK | ACTIVE | LCCC | FK | 20 | 1 | Non-RoHS & Green | SNPB | N / A for Pkg Type | -55 to 125 | 77049022A SNJ55 451BFBK | Samples |
| SNJ55451BJG | ACTIVE | CDIP | JG | 8 | 1 | Non-RoHS & Green | SNPB | N / A for Pkg Type | -55 to 125 | 7704902PA SNJ55451B | Samples |
| SNJ55452BFBK | ACTIVE | LCCC | FK | 20 | 1 | Non-RoHS & Green | SNPB | N / A for Pkg Type | -55 to 125 | 77049012A SNJ55 452BFBK | Samples |
| SNJ55452BJG | ACTIVE | CDIP | JG | 8 | 1 | Non-RoHS & Green | SNPB | N / A for Pkg Type | -55 to 125 | 7704901PA SNJ55452B | Samples |
| SNJ55453BFBK | ACTIVE | LCCC | FK | 20 | 1 | Non-RoHS & Green | SNPB | N / A for Pkg Type | -55 to 125 | 5962- 9563301Q2A SNJ55 453BFBK | Samples |
| SNJ55453BJG | ACTIVE | CDIP | JG | 8 | 1 | Non-RoHS & Green | SNPB | N / A for Pkg Type | -55 to 125 | 9563301QPA SNJ55453B | Samples |
| SNJ55454BJG | ACTIVE | CDIP | JG | 8 | 1 | Non-RoHS & Green | SNPB | N / A for Pkg Type | -55 to 125 | SNJ55 454BJG | Samples |

(1) The marketing status values are defined as follows:

ACTIVE: Product device recommended for new designs.

LIFEBUY: TI has announced that the device will be discontinued, and a lifetime-buy period is in effect.

NRND: Not recommended for new designs. Device is in production to support existing customers, but TI does not recommend using this part in a new design.

PREVIEW: Device has been announced but is not in production. Samples may or may not be available.

OBSOLETE: TI has discontinued the production of the device.

(2) **RoHS:** TI defines "RoHS" to mean semiconductor products that are compliant with the current EU RoHS requirements for all 10 RoHS substances, including the requirement that RoHS substance do not exceed 0.1% by weight in homogeneous materials. Where designed to be soldered at high temperatures, "RoHS" products are suitable for use in specified lead-free processes. TI may reference these types of products as "Pb-Free".

RoHS Exempt: TI defines "RoHS Exempt" to mean products that contain lead but are compliant with EU RoHS pursuant to a specific EU RoHS exemption.

Green: TI defines "Green" to mean the content of Chlorine (Cl) and Bromine (Br) based flame retardants meet JS709B low halogen requirements of ≤ 1000 ppm threshold. Antimony trioxide based flame retardants must also meet the ≤ 1000 ppm threshold requirement.

(3) MSL, Peak Temp. - The Moisture Sensitivity Level rating according to the JEDEC industry standard classifications, and peak solder temperature.

(4) There may be additional marking, which relates to the logo, the lot trace code information, or the environmental category on the device.

(5) Multiple Device Markings will be inside parentheses. Only one Device Marking contained in parentheses and separated by a "~" will appear on a device. If a line is indented then it is a continuation of the previous line and the two combined represent the entire Device Marking for that device.

(6) Lead finish/Ball material - Orderable Devices may have multiple material finish options. Finish options are separated by a vertical ruled line. Lead finish/Ball material values may wrap to two lines if the finish value exceeds the maximum column width.

Important Information and Disclaimer:The information provided on this page represents TI's knowledge and belief as of the date that it is provided. TI bases its knowledge and belief on information provided by third parties, and makes no representation or warranty as to the accuracy of such information. Efforts are underway to better integrate information from third parties. TI has taken and continues to take reasonable steps to provide representative and accurate information but may not have conducted destructive testing or chemical analysis on incoming materials and chemicals. TI and TI suppliers consider certain information to be proprietary, and thus CAS numbers and other limited information may not be available for release.

In no event shall TI's liability arising out of such information exceed the total purchase price of the TI part(s) at issue in this document sold by TI to Customer on an annual basis.

OTHER QUALIFIED VERSIONS OF SN55451B, SN55452B, SN55453B, SN55454B, SN75451B, SN75452B, SN75453B, SN75454B :

● Catalog : [SN75451B](#), [SN75452B](#), [SN75453B](#), [SN75454B](#)

● Military : [SN55451B](#), [SN55452B](#), [SN55453B](#), [SN55454B](#)

NOTE: Qualified Version Definitions:

- Catalog - TI's standard catalog product
- Military - QML certified for Military and Defense Applications

TAPE AND REEL INFORMATION

QUADRANT ASSIGNMENTS FOR PIN 1 ORIENTATION IN TAPE

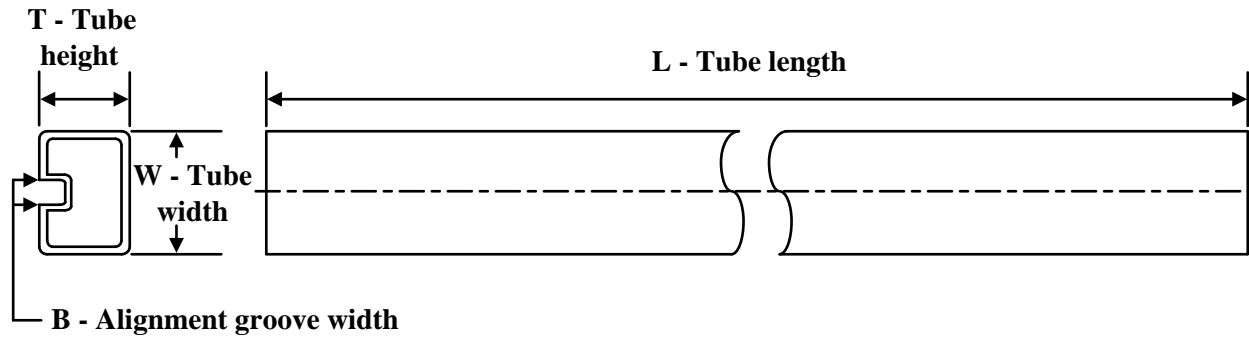

*All dimensions are nominal

| Device | Package Type | Package Drawing | Pins | SPQ | Reel Diameter (mm) | Reel Width W1 (mm) | A0 (mm) | B0 (mm) | K0 (mm) | P1 (mm) | W (mm) | Pin1 Quadrant |
|-------------|--------------|-----------------|------|------|--------------------|--------------------|---------|---------|---------|---------|--------|---------------|
| SN75451BDR | SOIC | D | 8 | 2500 | 330.0 | 12.4 | 6.4 | 5.2 | 2.1 | 8.0 | 12.0 | Q1 |
| SN75451BPSR | SO | PS | 8 | 2000 | 330.0 | 16.4 | 8.35 | 6.6 | 2.4 | 12.0 | 16.0 | Q1 |
| SN75452BDR | SOIC | D | 8 | 2500 | 330.0 | 12.4 | 6.4 | 5.2 | 2.1 | 8.0 | 12.0 | Q1 |
| SN75452BPSR | SO | PS | 8 | 2000 | 330.0 | 16.4 | 8.35 | 6.6 | 2.4 | 12.0 | 16.0 | Q1 |
| SN75453BDR | SOIC | D | 8 | 2500 | 330.0 | 12.4 | 6.4 | 5.2 | 2.1 | 8.0 | 12.0 | Q1 |
| SN75453BPSR | SO | PS | 8 | 2000 | 330.0 | 16.4 | 8.35 | 6.6 | 2.4 | 12.0 | 16.0 | Q1 |
| SN75454BDR | SOIC | D | 8 | 2500 | 330.0 | 12.4 | 6.4 | 5.2 | 2.1 | 8.0 | 12.0 | Q1 |
| SN75454BPSR | SO | PS | 8 | 2000 | 330.0 | 16.4 | 8.35 | 6.6 | 2.4 | 12.0 | 16.0 | Q1 |

TAPE AND REEL BOX DIMENSIONS


*All dimensions are nominal

| Device | Package Type | Package Drawing | Pins | SPQ | Length (mm) | Width (mm) | Height (mm) |
|-------------|--------------|-----------------|------|------|-------------|------------|-------------|
| SN75451BDR | SOIC | D | 8 | 2500 | 340.5 | 336.1 | 25.0 |
| SN75451BPSR | SO | PS | 8 | 2000 | 356.0 | 356.0 | 35.0 |
| SN75452BDR | SOIC | D | 8 | 2500 | 340.5 | 336.1 | 25.0 |
| SN75452BPSR | SO | PS | 8 | 2000 | 356.0 | 356.0 | 35.0 |
| SN75453BDR | SOIC | D | 8 | 2500 | 340.5 | 336.1 | 25.0 |
| SN75453BPSR | SO | PS | 8 | 2000 | 356.0 | 356.0 | 35.0 |
| SN75454BDR | SOIC | D | 8 | 2500 | 340.5 | 336.1 | 25.0 |
| SN75454BPSR | SO | PS | 8 | 2000 | 356.0 | 356.0 | 35.0 |

TUBE


*All dimensions are nominal

| Device | Package Name | Package Type | Pins | SPQ | L (mm) | W (mm) | T (μm) | B (mm) |
|-----------------|--------------|--------------|------|-----|--------|--------|--------|--------|
| 5962-9563301Q2A | FK | LCCC | 20 | 1 | 506.98 | 12.06 | 2030 | NA |
| 77049012A | FK | LCCC | 20 | 1 | 506.98 | 12.06 | 2030 | NA |
| 77049022A | FK | LCCC | 20 | 1 | 506.98 | 12.06 | 2030 | NA |
| SN75451BD | D | SOIC | 8 | 75 | 507 | 8 | 3940 | 4.32 |
| SN75451BDE4 | D | SOIC | 8 | 75 | 507 | 8 | 3940 | 4.32 |
| SN75451BP | P | PDIP | 8 | 50 | 506 | 13.97 | 11230 | 4.32 |
| SN75451BPE4 | P | PDIP | 8 | 50 | 506 | 13.97 | 11230 | 4.32 |
| SN75451BPS | PS | SOP | 8 | 80 | 530 | 10.5 | 4000 | 4.1 |
| SN75452BD | D | SOIC | 8 | 75 | 507 | 8 | 3940 | 4.32 |
| SN75452BDE4 | D | SOIC | 8 | 75 | 507 | 8 | 3940 | 4.32 |
| SN75452BP | P | PDIP | 8 | 50 | 506 | 13.97 | 11230 | 4.32 |
| SN75452BPE4 | P | PDIP | 8 | 50 | 506 | 13.97 | 11230 | 4.32 |
| SN75452BPS | PS | SOP | 8 | 80 | 530 | 10.5 | 4000 | 4.1 |
| SN75453BD | D | SOIC | 8 | 75 | 507 | 8 | 3940 | 4.32 |
| SN75453BP | P | PDIP | 8 | 50 | 506 | 13.97 | 11230 | 4.32 |
| SN75453BPE4 | P | PDIP | 8 | 50 | 506 | 13.97 | 11230 | 4.32 |
| SN75454BD | D | SOIC | 8 | 75 | 507 | 8 | 3940 | 4.32 |
| SN75454BP | P | PDIP | 8 | 50 | 506 | 13.97 | 11230 | 4.32 |
| SN75454BPE4 | P | PDIP | 8 | 50 | 506 | 13.97 | 11230 | 4.32 |
| SNJ55451BFK | FK | LCCC | 20 | 1 | 506.98 | 12.06 | 2030 | NA |
| SNJ55452BFK | FK | LCCC | 20 | 1 | 506.98 | 12.06 | 2030 | NA |
| SNJ55453BFK | FK | LCCC | 20 | 1 | 506.98 | 12.06 | 2030 | NA |

GENERIC PACKAGE VIEW

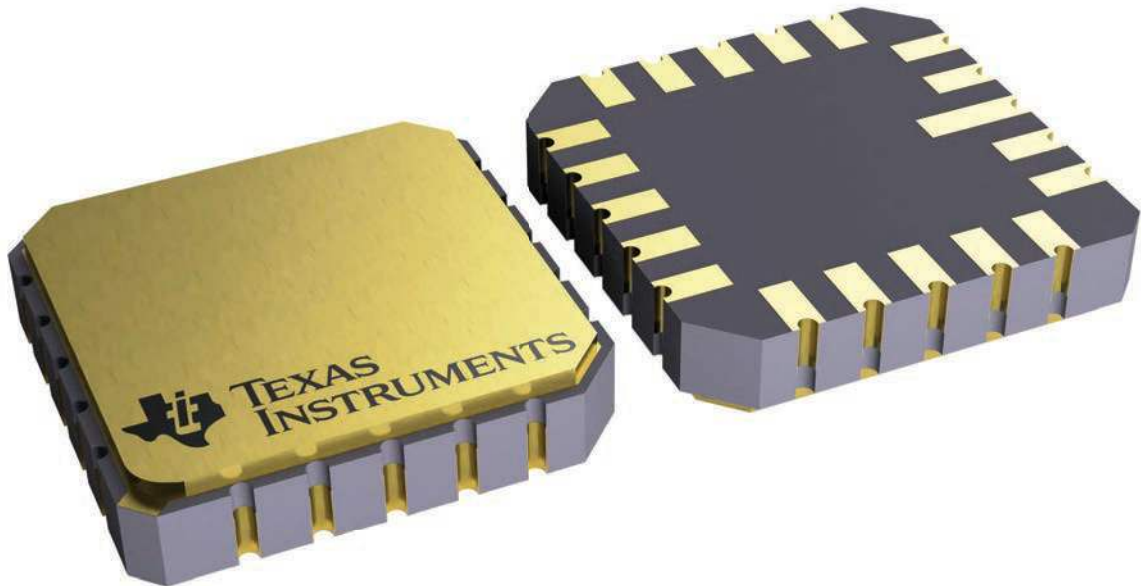
FK 20

LCCC - 2.03 mm max height

8.89 x 8.89, 1.27 mm pitch

LEADLESS CERAMIC CHIP CARRIER

This image is a representation of the package family, actual package may vary.
Refer to the product data sheet for package details.



4229370VA\

D0008A



PACKAGE OUTLINE

SOIC - 1.75 mm max height

SMALL OUTLINE INTEGRATED CIRCUIT



4214825/C 02/2019

NOTES:

1. Linear dimensions are in inches [millimeters]. Dimensions in parenthesis are for reference only. Controlling dimensions are in inches. Dimensioning and tolerancing per ASME Y14.5M.
2. This drawing is subject to change without notice.
3. This dimension does not include mold flash, protrusions, or gate burrs. Mold flash, protrusions, or gate burrs shall not exceed .006 [0.15] per side.
4. This dimension does not include interlead flash.
5. Reference JEDEC registration MS-012, variation AA.

EXAMPLE BOARD LAYOUT

D0008A

SOIC - 1.75 mm max height

SMALL OUTLINE INTEGRATED CIRCUIT



LAND PATTERN EXAMPLE
EXPOSED METAL SHOWN
SCALE:8X



SOLDER MASK DETAILS

4214825/C 02/2019

NOTES: (continued)

- 6. Publication IPC-7351 may have alternate designs.
- 7. Solder mask tolerances between and around signal pads can vary based on board fabrication site.

EXAMPLE STENCIL DESIGN

D0008A

SOIC - 1.75 mm max height

SMALL OUTLINE INTEGRATED CIRCUIT



SOLDER PASTE EXAMPLE
BASED ON .005 INCH [0.125 MM] THICK STENCIL
SCALE:8X

4214825/C 02/2019

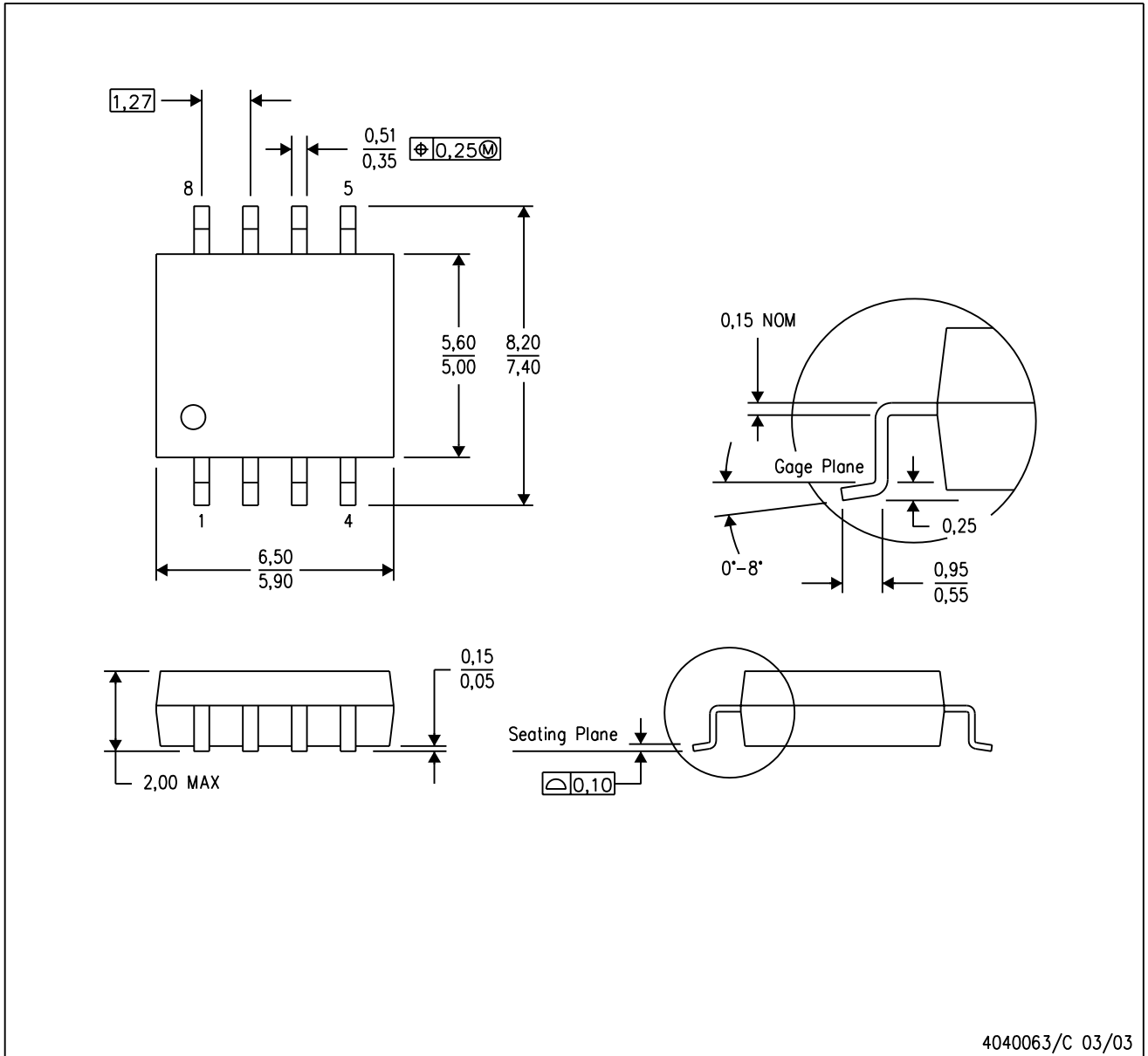
NOTES: (continued)

8. Laser cutting apertures with trapezoidal walls and rounded corners may offer better paste release. IPC-7525 may have alternate design recommendations.
9. Board assembly site may have different recommendations for stencil design.

MECHANICAL DATA

PS (R-PDSO-G8)

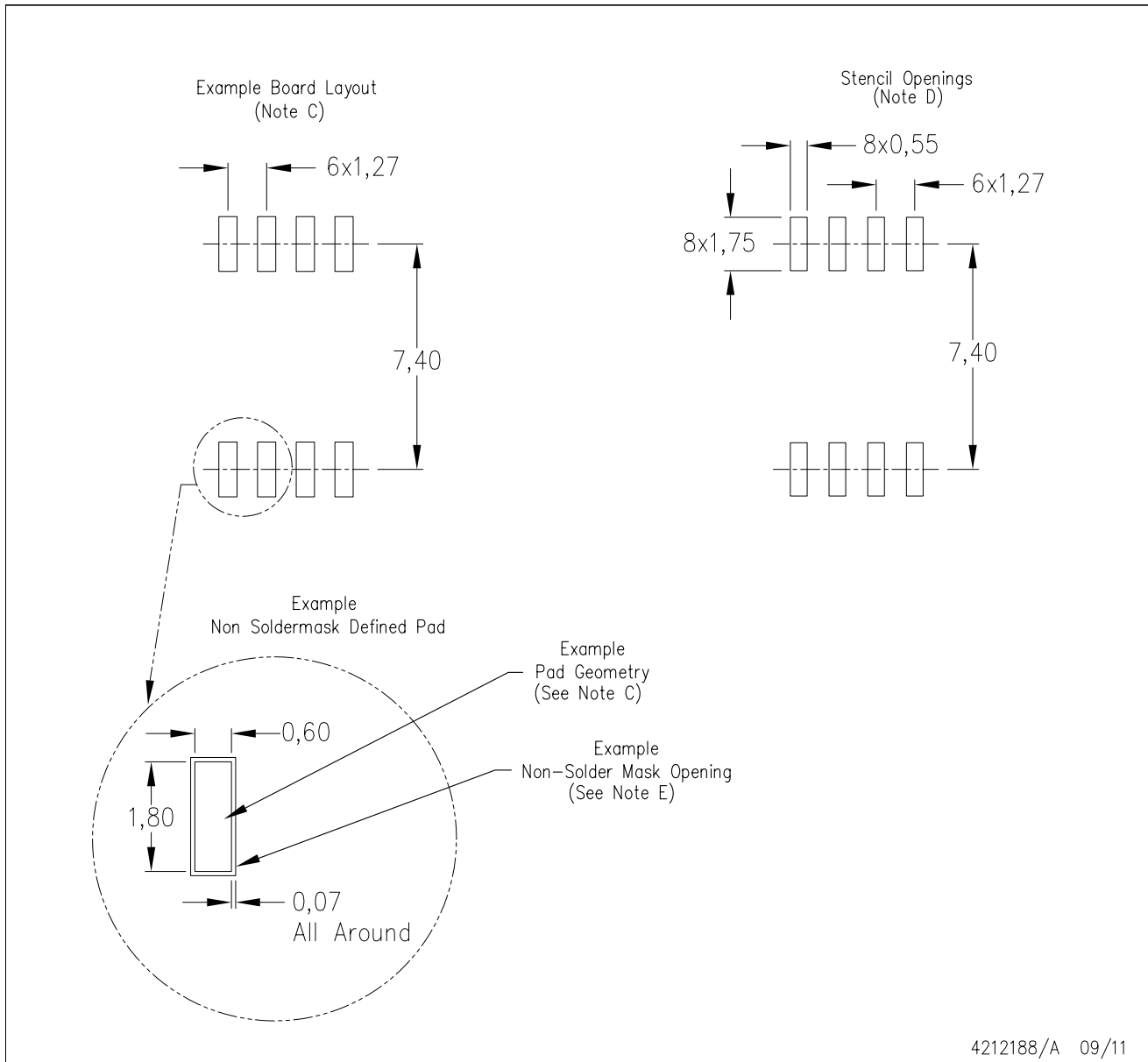
PLASTIC SMALL-OUTLINE PACKAGE



- NOTES:
- A. All linear dimensions are in millimeters.
 - B. This drawing is subject to change without notice.
 - C. Body dimensions do not include mold flash or protrusion, not to exceed 0,15.

PS (R-PDSO-G8)

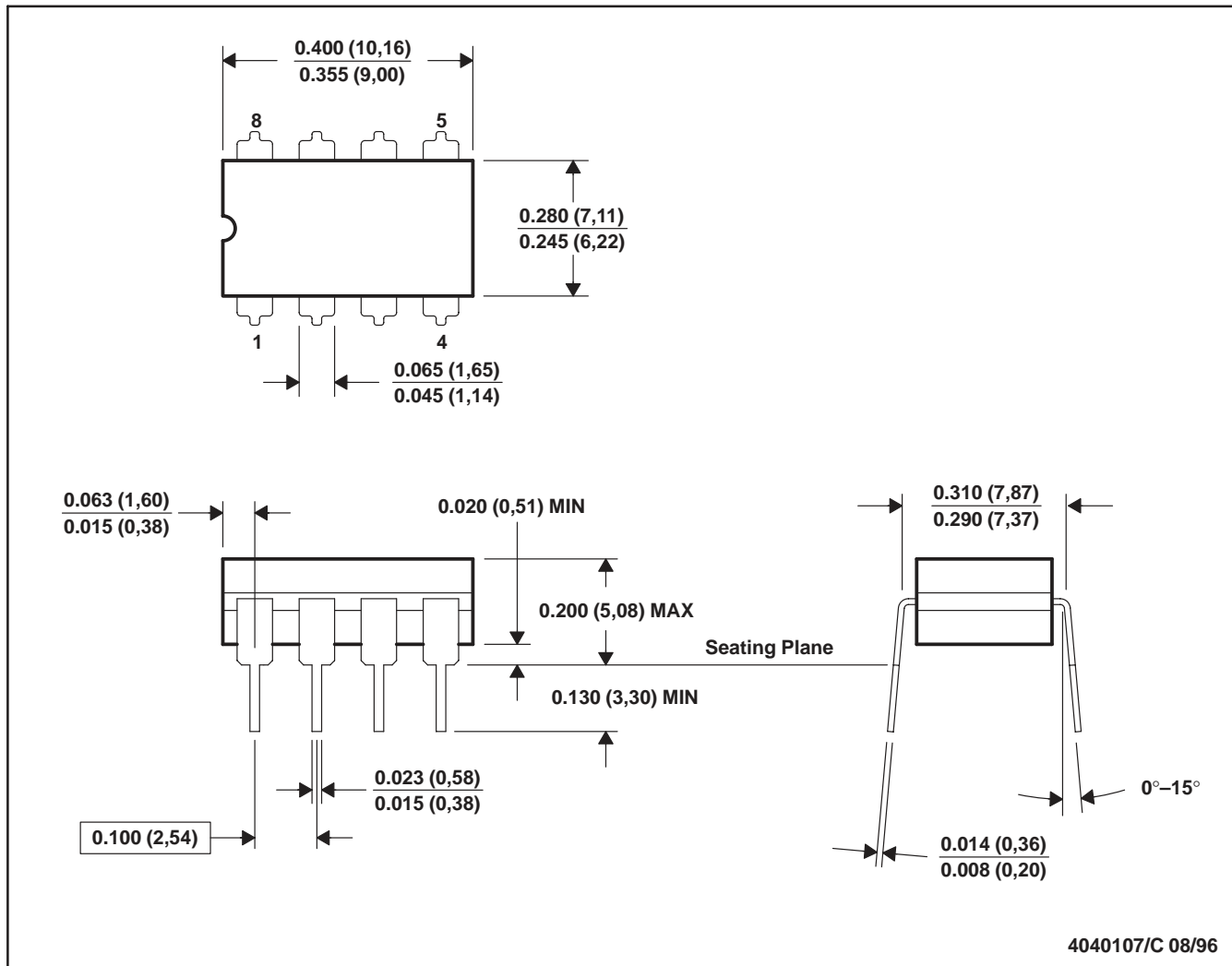
PLASTIC SMALL OUTLINE



- NOTES:
- All linear dimensions are in millimeters.
 - This drawing is subject to change without notice.
 - Publication IPC-7351 is recommended for alternate designs.
 - Laser cutting apertures with trapezoidal walls and also rounding corners will offer better paste release. Customers should contact their board assembly site for stencil design recommendations. Refer to IPC-7525 for other stencil recommendations.
 - Customers should contact their board fabrication site for solder mask tolerances between and around signal pads.

JG (R-GDIP-T8)

CERAMIC DUAL-IN-LINE



4040107/C 08/96

- NOTES: A. All linear dimensions are in inches (millimeters).
 B. This drawing is subject to change without notice.
 C. This package can be hermetically sealed with a ceramic lid using glass frit.
 D. Index point is provided on cap for terminal identification.
 E. Falls within MIL STD 1835 GDIP1-T8

P (R-PDIP-T8)

PLASTIC DUAL-IN-LINE PACKAGE



- NOTES:
- A. All linear dimensions are in inches (millimeters).
 - B. This drawing is subject to change without notice.
 - C. Falls within JEDEC MS-001 variation BA.

IMPORTANT NOTICE AND DISCLAIMER

TI PROVIDES TECHNICAL AND RELIABILITY DATA (INCLUDING DATA SHEETS), DESIGN RESOURCES (INCLUDING REFERENCE DESIGNS), APPLICATION OR OTHER DESIGN ADVICE, WEB TOOLS, SAFETY INFORMATION, AND OTHER RESOURCES "AS IS" AND WITH ALL FAULTS, AND DISCLAIMS ALL WARRANTIES, EXPRESS AND IMPLIED, INCLUDING WITHOUT LIMITATION ANY IMPLIED WARRANTIES OF MERCHANTABILITY, FITNESS FOR A PARTICULAR PURPOSE OR NON-INFRINGEMENT OF THIRD PARTY INTELLECTUAL PROPERTY RIGHTS.

These resources are intended for skilled developers designing with TI products. You are solely responsible for (1) selecting the appropriate TI products for your application, (2) designing, validating and testing your application, and (3) ensuring your application meets applicable standards, and any other safety, security, regulatory or other requirements.

These resources are subject to change without notice. TI grants you permission to use these resources only for development of an application that uses the TI products described in the resource. Other reproduction and display of these resources is prohibited. No license is granted to any other TI intellectual property right or to any third party intellectual property right. TI disclaims responsibility for, and you will fully indemnify TI and its representatives against, any claims, damages, costs, losses, and liabilities arising out of your use of these resources.

TI's products are provided subject to [TI's Terms of Sale](#) or other applicable terms available either on [ti.com](https://www.ti.com) or provided in conjunction with such TI products. TI's provision of these resources does not expand or otherwise alter TI's applicable warranties or warranty disclaimers for TI products.

TI objects to and rejects any additional or different terms you may have proposed.

Mailing Address: Texas Instruments, Post Office Box 655303, Dallas, Texas 75265
Copyright © 2023, Texas Instruments Incorporated