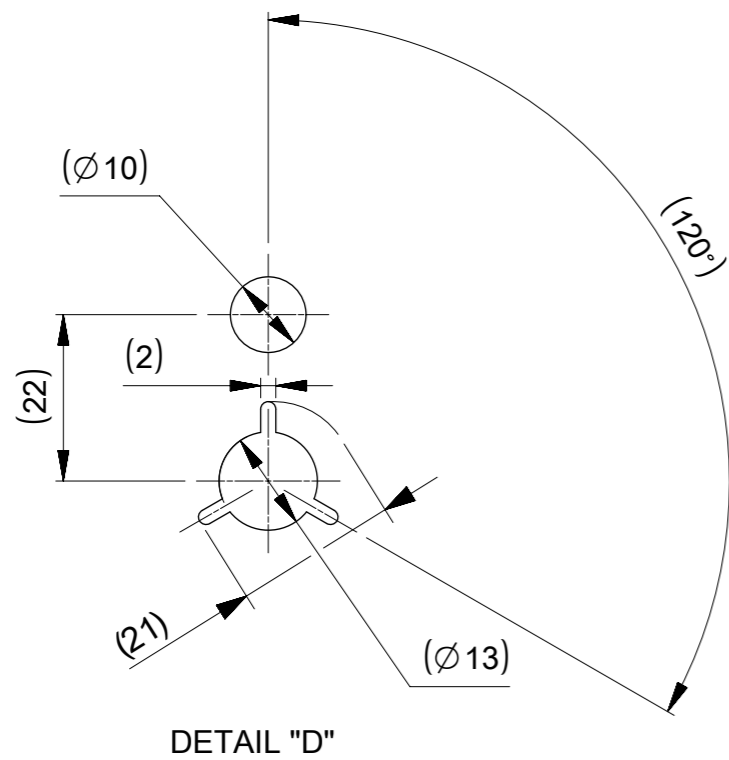
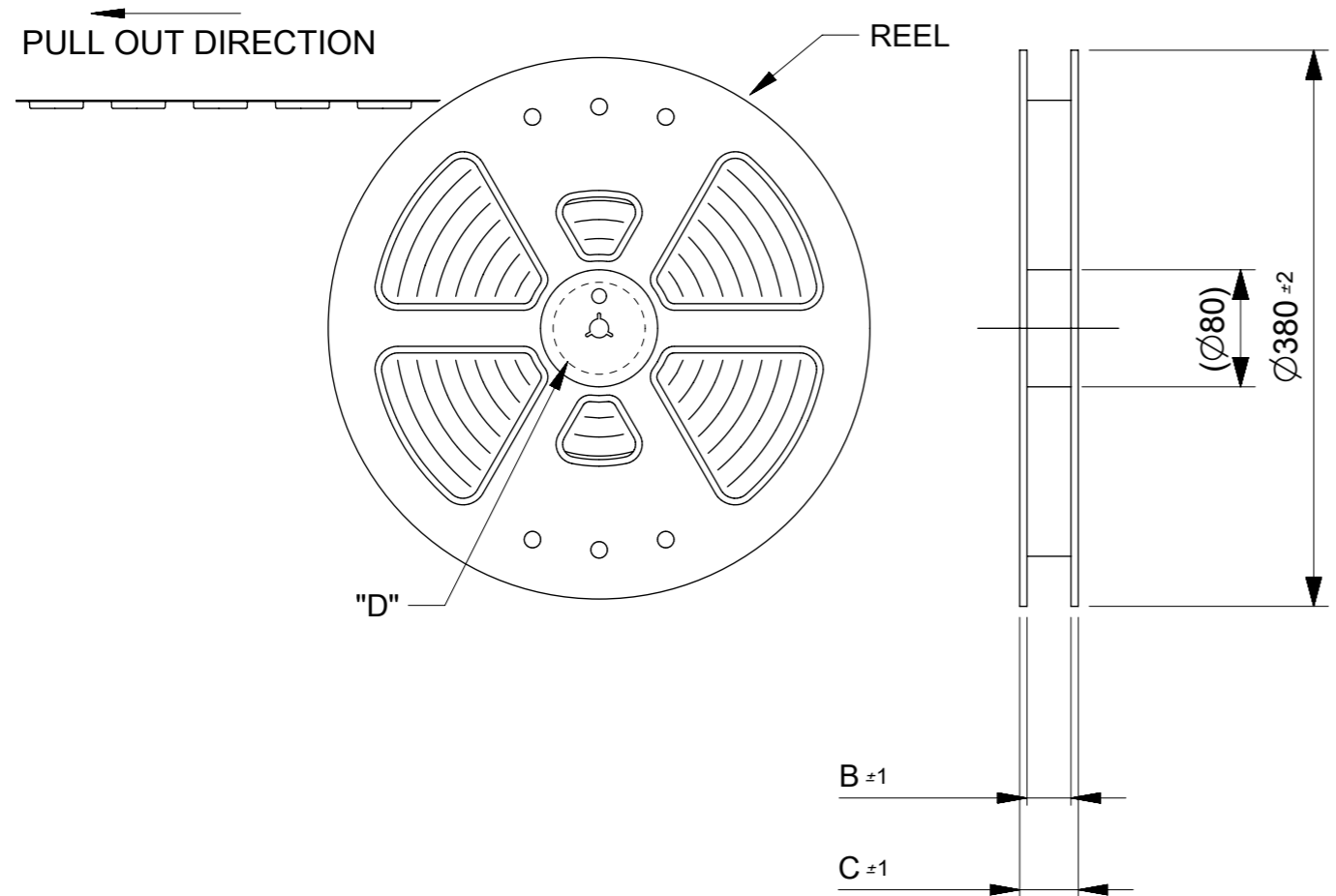
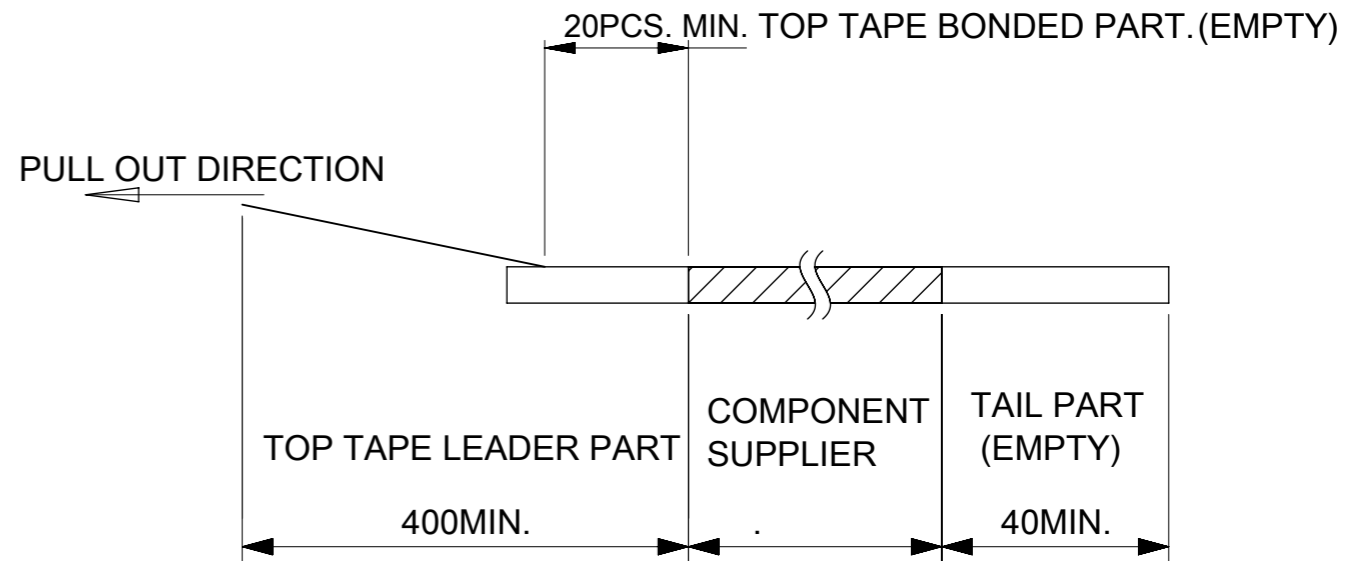


PULL OUT DIRECTION



NOTES

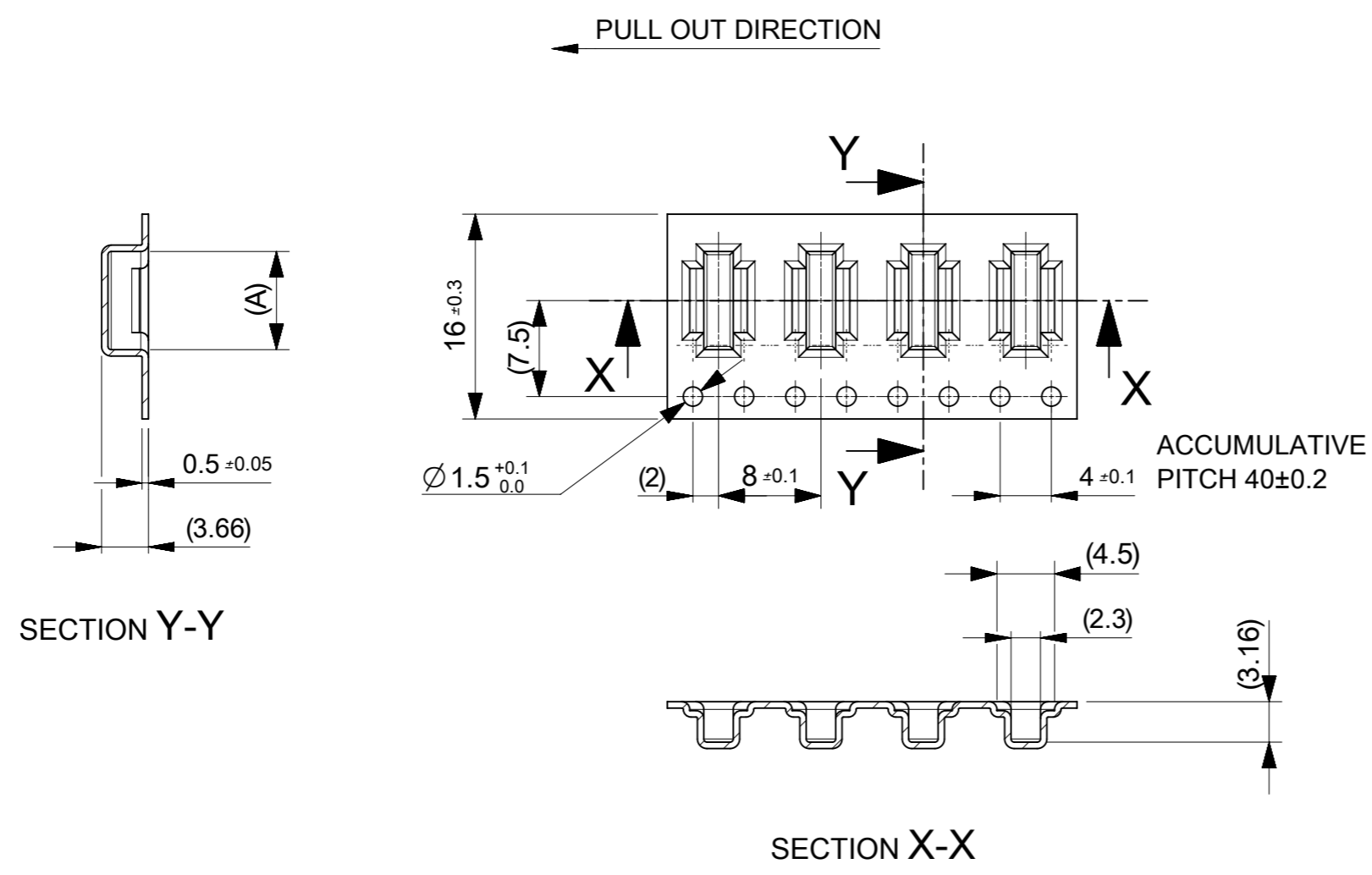
1. RE DETAILED DIMENSION, SEE PRODUCT DRAWING.
2. NUMBER OF CONNECTORS : 3300 PCS/REEL.
3. LEAD TAPE LENGTH.



4. TOP TAPE PEEL FORCE IS DEFINED BY IEC60286-3
5. MATERIAL  
CARRER TAPE :POLYSTYRENE  
TOP TAPE :PET , OTHER  
REEL :POLYSTYRENE(PS)(RECYCLE MATERIAL CONTAINED)
6. ELV AND RoHS COMPLIANT

MODEL NO. 2039550\*\*1

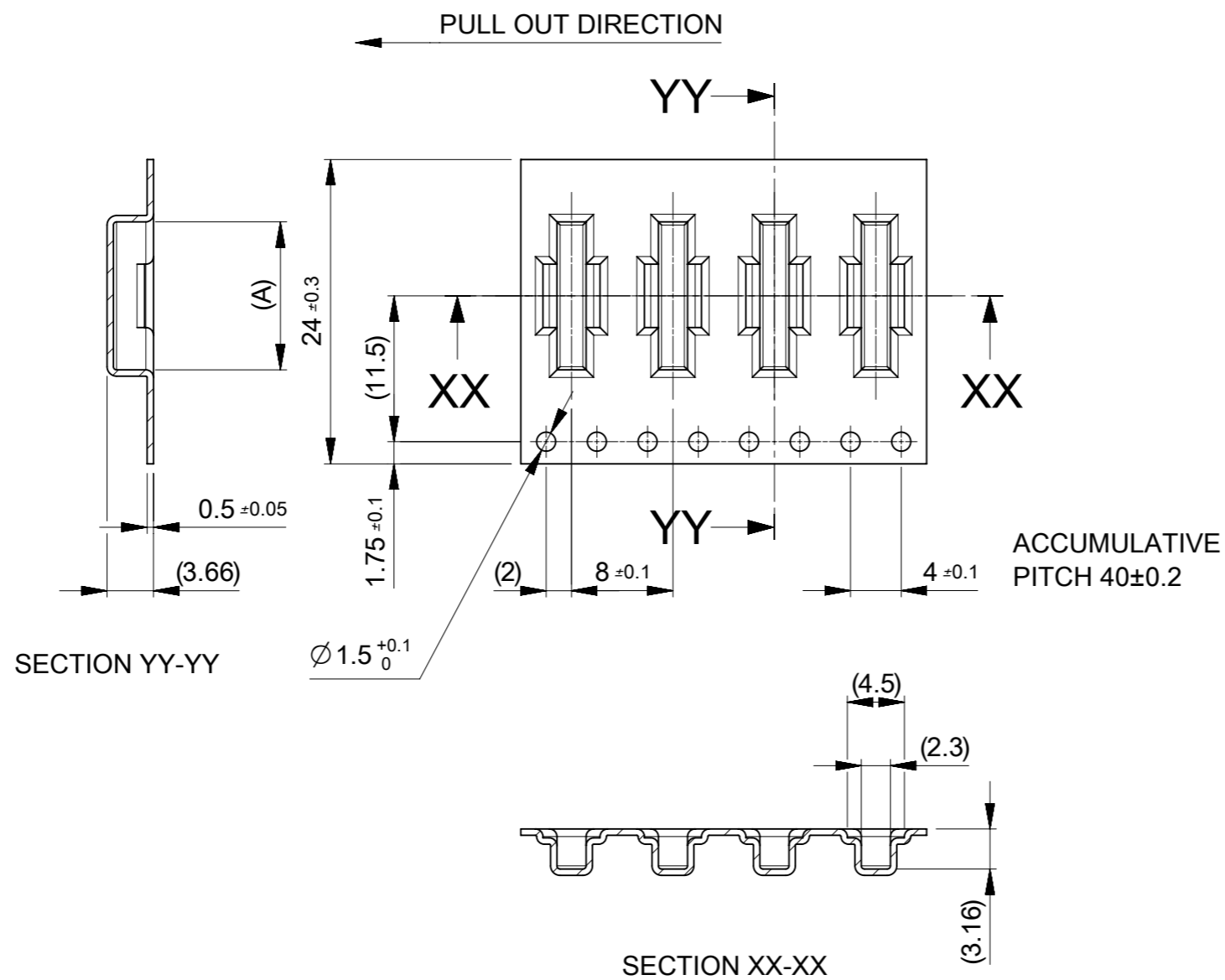
THIS DRAWING CONTAINS INFORMATION THAT IS PROPRIETARY TO MOLEX ELECTRONIC TECHNOLOGIES, LLC AND SHOULD NOT BE USED WITHOUT WRITTEN PERMISSION		CURRENT REV DESC:		<b>molex</b>		
DIMENSION UNITS	SCALE	EC NO: 623405				
mm	1:1	DRWN: JFURUKAWA 2019/09/02		PRODUCT CUSTOMER DRAWING		
GENERAL TOLERANCES (UNLESS SPECIFIED)		CHK'D: YNAITO 2019/09/18		DOCUMENT NUMBER		
ANGULAR TOL	± °	APPR: RTAKEUCHI 2019/09/18		2039550000		DOC TYPE
4 PLACES	±	INITIAL REVISION:		PSD	DOC PART	REVISION
3 PLACES	±	DRWN: STERUKI 2018/04/27		001	01	B
2 PLACES	±	APPR: TKUSUHARA01 2018/06/22		SHEET NUMBER		
1 PLACE	±	THIRD ANGLE PROJECTION		1 OF 3		
0 PLACES	±	DRAWING	SERIES	MATERIAL NUMBER		
DRAFT WHERE APPLICABLE MUST REMAIN WITHIN DIMENSIONS		A3-SIZE	203955	CUSTOMER		
				GENERAL		



16	21.4	17.4	7.67	2039550301	○	---	30
			5.67	2039550201	○	---	20
キャリアテープ幅 CARRIER TAPE WIDTH	C	B	(A)	MATERIAL No.	HIGH VOL. TOOL	LOW VOL. TOOL	CIRCUIT
					SAMPLE PREPARATION		

THIS DRAWING CONTAINS INFORMATION THAT IS PROPRIETARY TO MOLEX ELECTRONIC TECHNOLOGIES, LLC AND SHOULD NOT BE USED WITHOUT WRITTEN PERMISSION

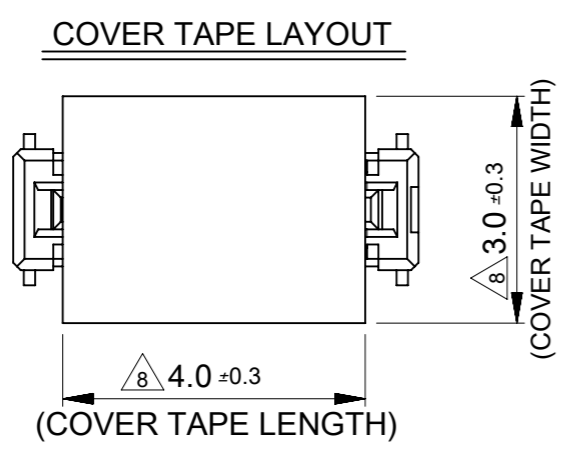
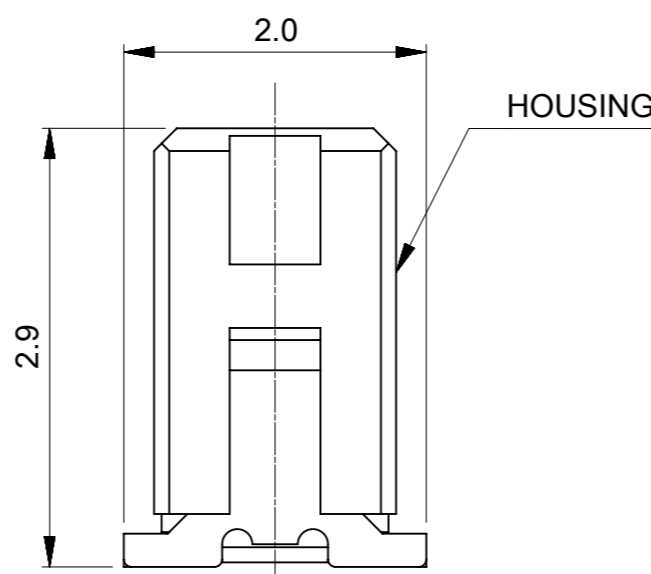
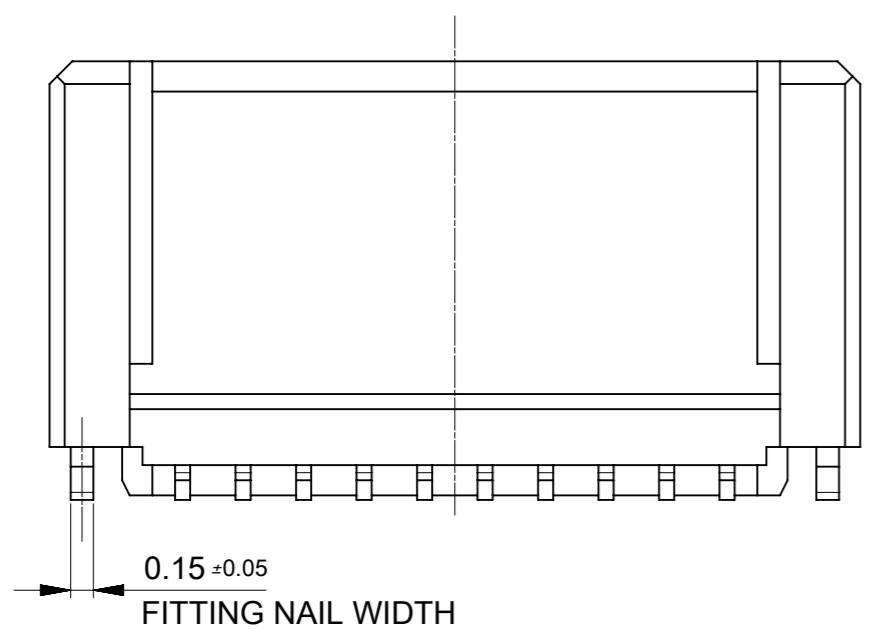
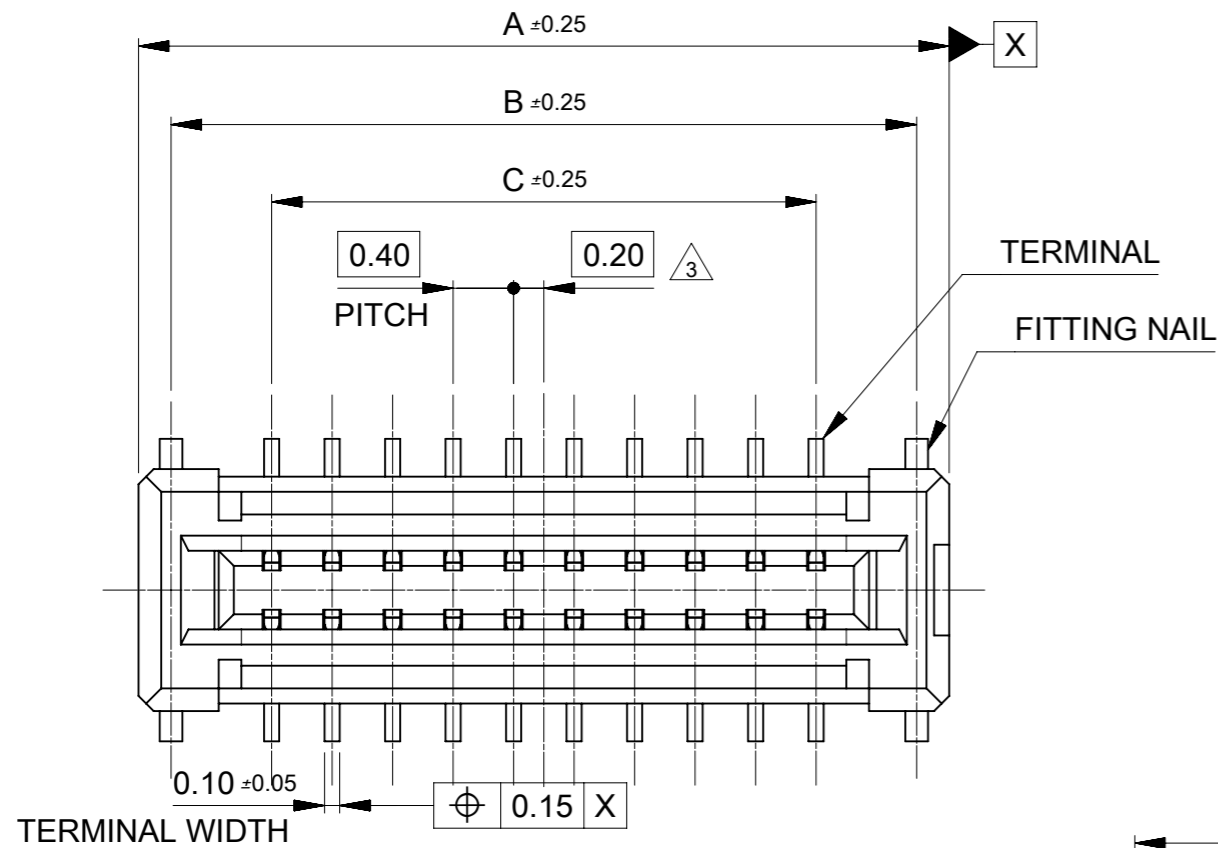
DIMENSION UNITS mm	SCALE 2:1	CURRENT REV DESC:			<b>molex</b>		
GENERAL TOLERANCES (UNLESS SPECIFIED)		EC NO: 623405					
ANGULAR TOL ± °		DRWN: JFURUKAWA 2019/09/02			PRODUCT CUSTOMER DRAWING		
4 PLACES ±		CHK'D: YNAITO 2019/09/18			DOCUMENT NUMBER		
3 PLACES ±		APPR: RTAKEUCHI 2019/09/18			2039550000		
2 PLACES ±		INITIAL REVISION:			DOC TYPE	DOC PART	REVISION
1 PLACE ±		DRWN: STERUKI 2018/04/27			PSD	001	B
0 PLACES ±		APPR: TKUSUHARA01 2018/06/22			SHEET NUMBER		
DRAFT WHERE APPLICABLE MUST REMAIN WITHIN DIMENSIONS	THIRD ANGLE PROJECTION	DRAWING	SERIES	MATERIAL NUMBER	CUSTOMER	SHEET NUMBER	
		A3-SIZE	203955	SEE CHART	GENERAL	2 OF 3	



24	29.4	25.4	13.67	2039550601	○	---	60
			11.67	2039550501	○	---	50
			9.67	2039550401	○	---	40
キャリアテープ幅 CARRIER TAPE 幅 WIDTH	C	B	(A)	MATERIAL No.	HIGH VOL. TOOL	LOW VOL. TOOL	CIRCUIT
					SAMPLE PREPARATION		

THIS DRAWING CONTAINS INFORMATION THAT IS PROPRIETARY TO MOLEX ELECTRONIC TECHNOLOGIES, LLC AND SHOULD NOT BE USED WITHOUT WRITTEN PERMISSION

DIMENSION UNITS mm	SCALE 2:1	CURRENT REV DESC:			<b>molex</b>		
GENERAL TOLERANCES (UNLESS SPECIFIED)		EC NO: 623405					
ANGULAR TOL ± °		DRWN: JFURUKAWA 2019/09/02			PRODUCT CUSTOMER DRAWING		
4 PLACES ±		CHK'D: YNAITO 2019/09/18			DOCUMENT NUMBER		
3 PLACES ±		APPR: RTAKEUCHI 2019/09/18			2039550000		
2 PLACES ±		INITIAL REVISION:			DOC TYPE	DOC PART	REVISION
1 PLACE ±		DRWN: STERUKI 2018/04/27			PSD	001	B
0 PLACES ±		APPR: TKUSUHARA01 2018/06/22			SHEET NUMBER		
DRAFT WHERE APPLICABLE MUST REMAIN WITHIN DIMENSIONS	THIRD ANGLE PROJECTION	DRAWING	SERIES	MATERIAL NUMBER	CUSTOMER	SHEET NUMBER	
		A3-SIZE	203955	SEE CHART	GENERAL	3 OF 3	



- 1 MATERIAL  
 WAFER: LIQUID CRYSTAL POLYMER UL94V-0 (COLOR : BLACK)  
 TERMINAL: COPPER ALLOY  
 FITTING NAIL: COPPER ALLOY  
 COVER TAPE: POLYIMIDE
- 2 PLATING  
 TERMINAL :  
 CONTACT AREA: GOLD PLATING.  
 SOLDER TAIL AREA: GOLD PLATING.  
 UNDERPLATE: NICKEL OVERALL.  
 FITTING NAIL:  
 SURFACE: TIN OVERALL  
 UNDERPLATE: NICKEL OVERALL.
- $\triangle 3$  APPLY FOR (CIRCUIT/2)=EVEN.
- 4 MATE WITH :203956\*\*\*\*
- 5 TAIL COPLANARITY TO BE 0.1 MAXIMUM.
- 6 ELV and RoHS COMPLIANT.
- $\triangle 7$  STACK HEIGHT IS KEPT FIXDLY BY A SPACER.
- $\triangle 8$  ALL CIRCUIT IS COMMON LENGTH.

11.6	12.93	13.36	2039550601	○	---	60
9.6	10.93	11.36	2039550501	○	---	50
7.6	8.93	9.36	2039550401	○	---	40
5.6	6.93	7.36	2039550301	○	$\triangle$	30
3.6	4.93	5.36	2039550201	○	---	20
C	B	A	EMBOSSSED TAPE PACKAGE	HIGH VOL. TOOL	LOW VOL. TOOL	CIRCUIT
			ORDER NO.	SAMPLE PREPARATION ○ : TOOLED $\triangle$ : WORK IN PROCESS ---: TOOLING TO BE CONFIRMED		

CONNECTOR SERIES NO. : 2039551\*\*1

THIS DRAWING CONTAINS INFORMATION THAT IS PROPRIETARY TO MOLEX ELECTRONIC TECHNOLOGIES, LLC AND SHOULD NOT BE USED WITHOUT WRITTEN PERMISSION

CURRENT REV DESC: RELEASED

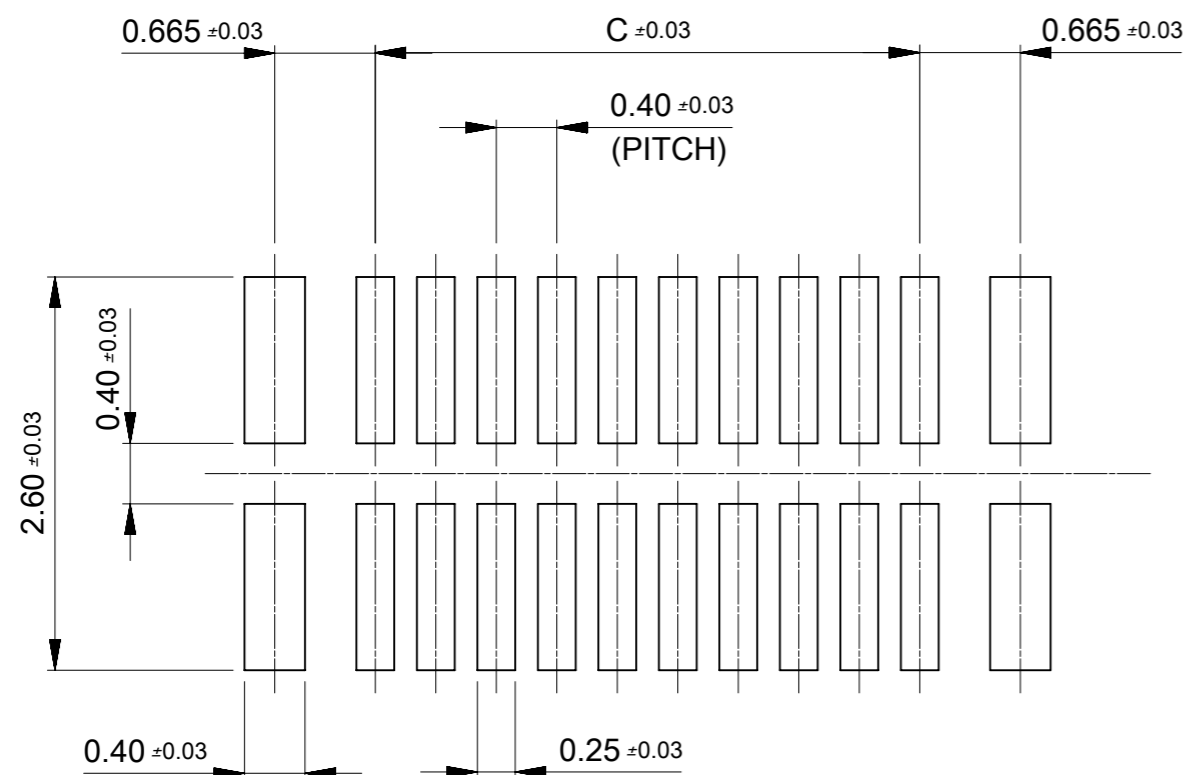
**molex**

0.4 FLOATING BB CONN. H=5 REC ASSY

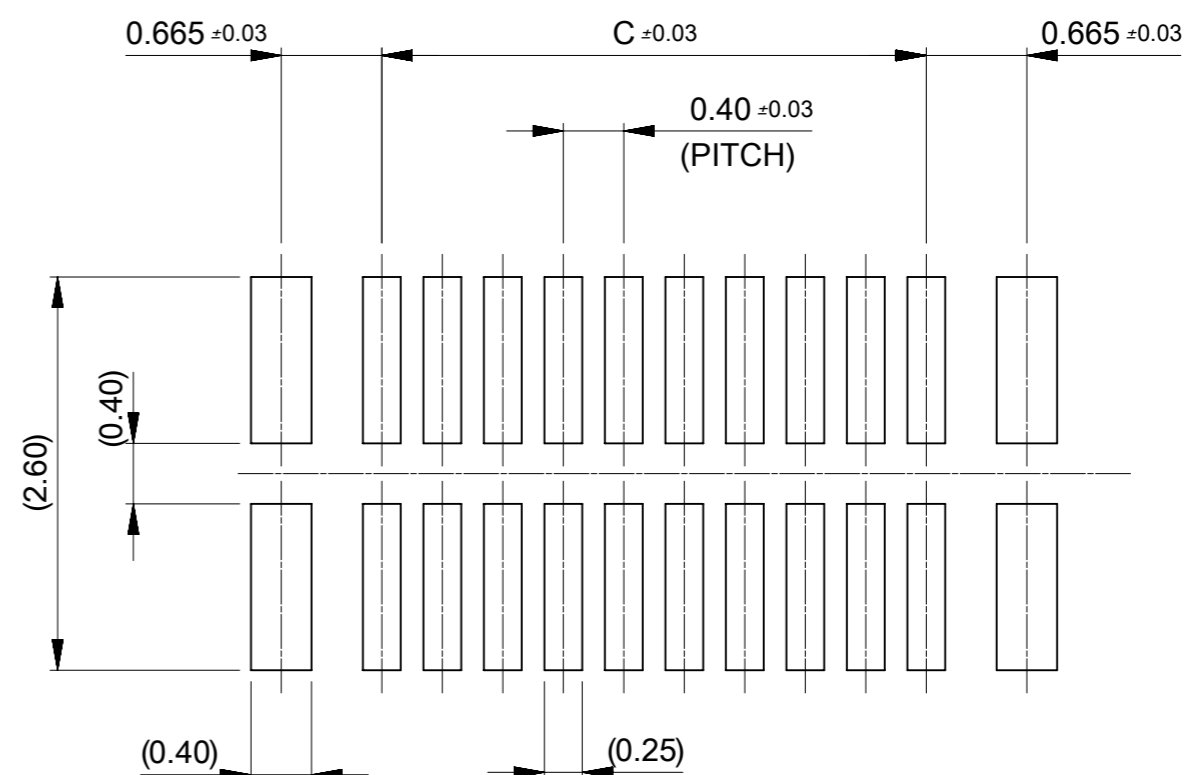
PRODUCT CUSTOMER DRAWING

DOCUMENT NUMBER: 2039551000 | DOC TYPE: PSD | DOC PART: 000 | REVISION: A3

DRAFT WHERE APPLICABLE MUST REMAIN WITHIN DIMENSIONS | THIRD ANGLE PROJECTION | DRAWING: A3-SIZE | SERIES: 203955 | MATERIAL NUMBER: SEE CHART | CUSTOMER: GENERAL | SHEET NUMBER: 1 OF 2

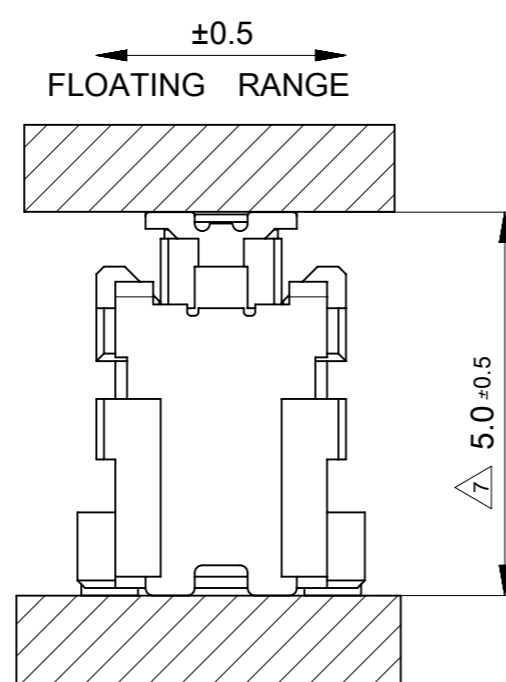
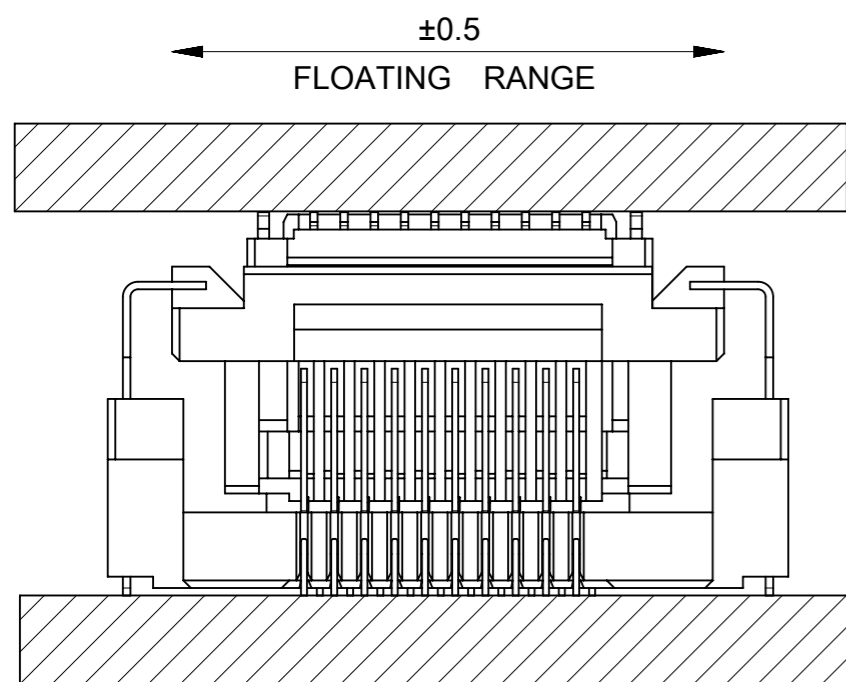


RECOMMENDED P.W.BOARD PATTERN LAYOUT(REFERENCE)



RECOMMENDED METAL MASK LAYOUT(REFERENCE)

RECOMMENDED THICKNESS OF METAL MASK : t=0.1mm  
 RECOMMENDED OPEN APERTURE RATIO OF METAL MASK : 100%



THIS DRAWING CONTAINS INFORMATION THAT IS PROPRIETARY TO MOLEX ELECTRONIC TECHNOLOGIES, LLC AND SHOULD NOT BE USED WITHOUT WRITTEN PERMISSION									
DIMENSION UNITS		SCALE		CURRENT REV DESC: RELEASED				<b>molex</b>	
mm		20:1							
GENERAL TOLERANCES (UNLESS SPECIFIED)									
ANGULAR TOL ± 1.0 °									
4 PLACES ± 0.2									
3 PLACES ± 0.2									
2 PLACES ± 0.2									
1 PLACE ± 0.2									
0 PLACES ± 0.2									
DRAFT WHERE APPLICABLE MUST REMAIN WITHIN DIMENSIONS									
THIRD ANGLE PROJECTION		DRAWING		SERIES		MATERIAL NUMBER		CUSTOMER	
		A3-SIZE		203955		SEE CHART		GENERAL	
INITIAL REVISION:				DOCUMENT NUMBER		DOC TYPE		DOC PART	
EC NO: 613911 DRWN: STERUKI 2018/06/14 CHK'D: KSASAKI 2019/03/18 APPR: TKUSUHARA01 2019/03/18				2039551000		PSD		000 A3	
DRWN: STERUKI 2018/06/14 APPR: TKUSUHARA01 2018/06/22									
DOCUMENT STATUS		RELEASE DATE		SHEET NUMBER		CUSTOMER		SHEET NUMBER	
P1		2019/03/18 05:38:38		2 OF 2		GENERAL		2 OF 2	