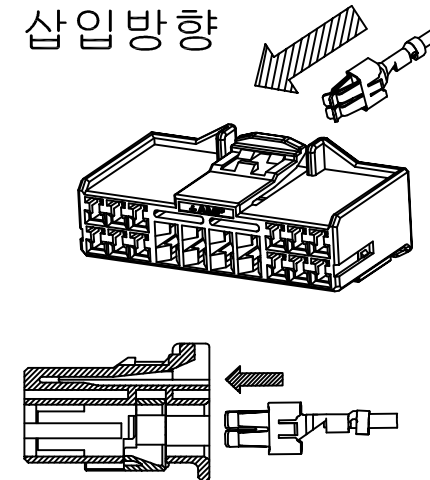
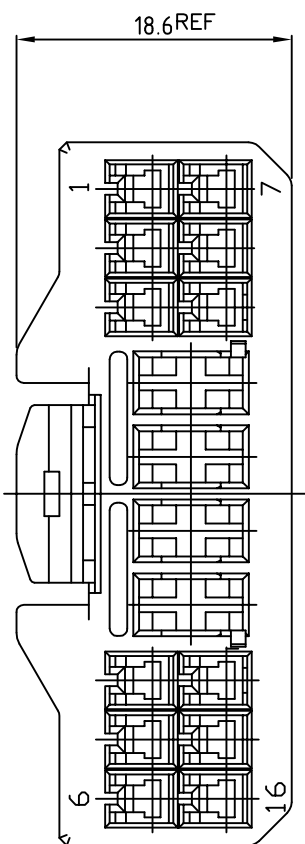
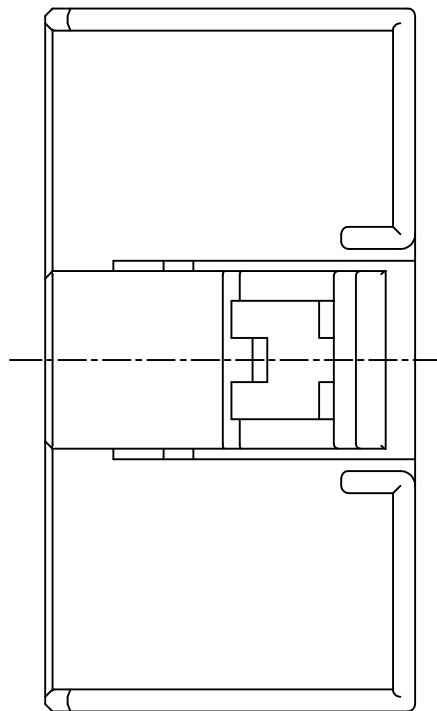
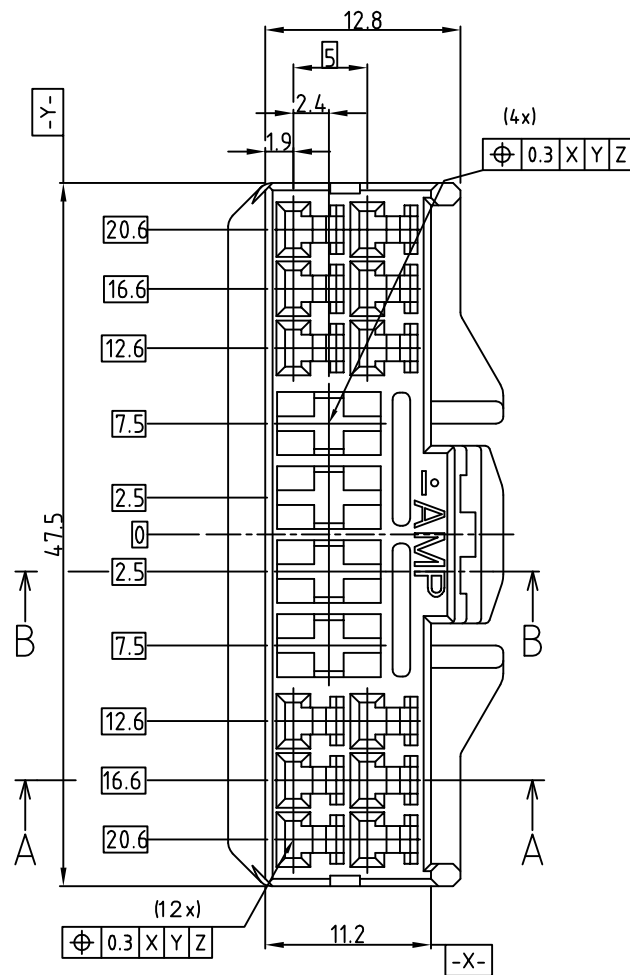
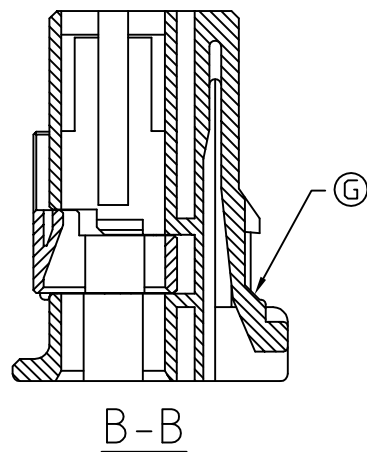
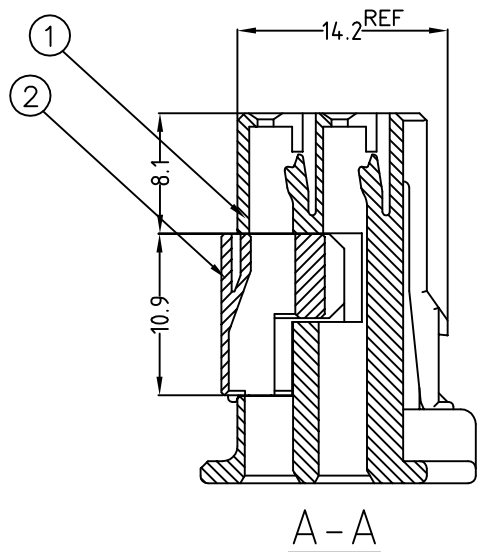
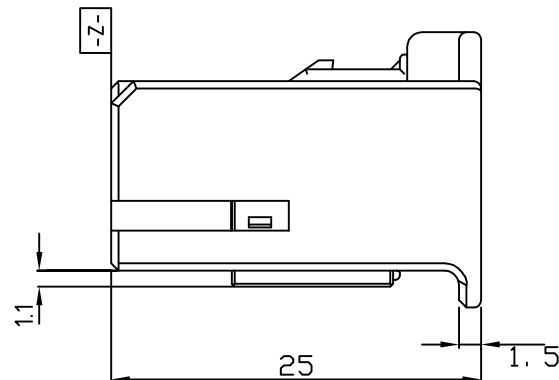


THIS DRAWING IS UNPUBLISHED. RELEASED FOR PUBLICATION  
 © COPYRIGHT BY TYCO ELECTRONICS CORPORATION, ALL RIGHTS RESERVED.

LOC	DIST	REVISIONS					
		P	LTR	DESCRIPTION	DATE	DWN	APVD
DS	-		F2	REVISED (ECR-09-019350)	31.AUG.'09	KT	HG
			G	REVISED (ECR-10-014220)	11.AUG.'10	SJ	HG
			G1	REVISED (ECR-12-019821)	15.NOV.'12	JM	HG



NOTE  
 1. APPLIED CONTACT P/N;  
 090 II- 368083, 368084, 368085  
 090 III- 1743654, 1743655, 1743656  
 S.P.T.- 927840-2, 927831-2, 927827-2, 927829-2, 964203-1, 964204-1  
 2. APPLICABLE PRODUCT SPEC NO. ; 108-61046  
 -주기-  
 1. 적용단자 P/N. ; 090 II - 368083, 368084, 368085  
 090 III - 1743654, 1743655, 1743656  
 S.P.T. - 927840-2, 927831-2, 927827-2, 927829-2, 964203-1, 964204-1  
 2. 적용제품 규격서 ; 108-61046



ASS'Y P/N	DESCRIPTION	Q' TY
368454-8	090/250 HYB 16P PLUG ASS'Y	1
368454-3	090/250 HYB 16P PLUG ASS'Y	1
368454-2	090/250 HYB 16P PLUG ASS'Y	1
368454-1	090/250 HYB 16P PLUG ASS'Y	1

No.	COLOR	MATERIAL	DESCRIPTION	Q' TY
①	NATURAL	PBT	DBL	1
	BLUE	PBT	PLUG HSG	1
	GRAY	PBT	PLUG HSG	1
	BLACK	PBT	PLUG HSG	1
	NATURAL	PBT	PLUG HSG	1

THIS DRAWING IS A CONTROLLED DOCUMENT FOR TYCO ELECTRONICS CORPORATION. IT IS SUBJECT TO CHANGE AND THE CONTROLLING ENGINEERING ORGANIZATION SHOULD BE CONTACTED FOR THE LATEST REVISION.		DWN JM JEON
DIMENSIONS: MM		CHK JW JUNG
TOLERANCES UNLESS OTHERWISE SPECIFIED: 0 <XX<10 ± 0.2 10<XX<30 ± 0.25 30<XX ± 0.3 ANGLES ± 3°		APVD HG CHD
MATERIAL SEE TABLE		PRODUCT SPEC -
FINISH		APPLICATION SPEC -
		WEIGHT -
		CUSTOMER DRAWING

<b>TE</b> TE Connectivity			
NAME 090/250 HYB 16P PLUG HSG ASS'Y			
SIZE	CAGE CODE	DRAWING NO	RESTRICTED TO
A3	00779	C=368454	-
SCALE 2/1		SHEET 1 OF 1	REV G1