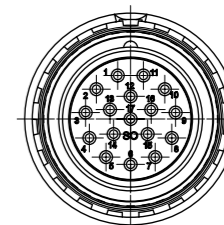
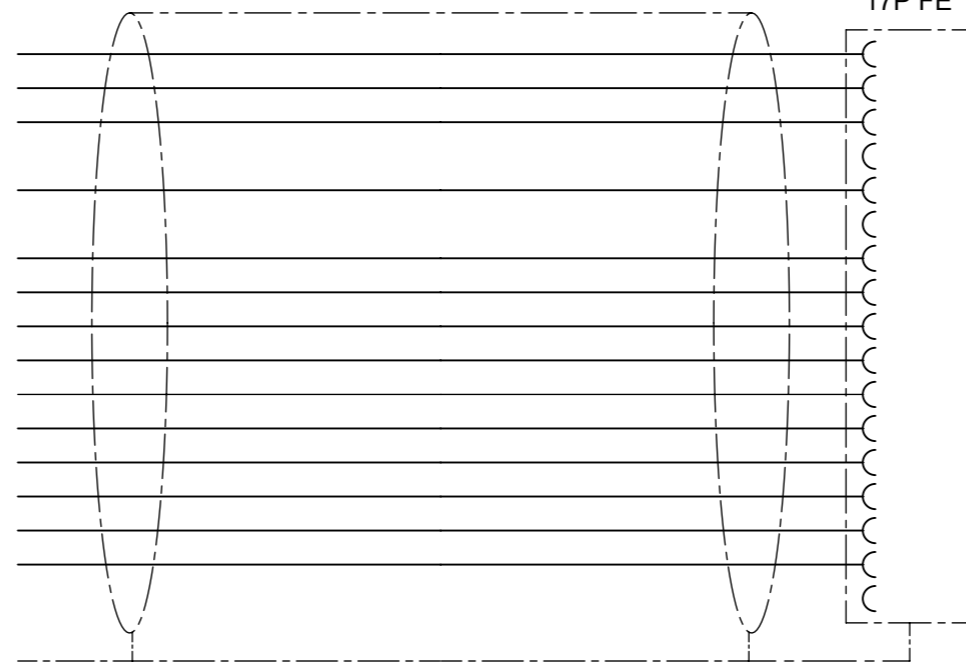


CABLE PRINT BLACK:  
MOLEX (MOLEX PN) MXYWW  
(ACCORDING TO WN-00017)



WIRING DIAGRAM

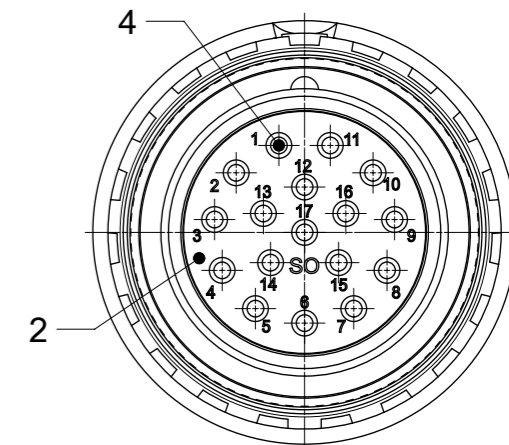


- 1 YE
- 2 GN
- 3 RD
- 4 N/U
- 5 BU
- 6 N/U
- 7 BN/BU
- 8 GN/BK
- 9 GN/RD
- 10 BN/RD
- 11 BK
- 12 BN
- 13 OG
- 14 WH/BK
- 15 BN/GY
- 16 BN/YE
- 17 N/U

SHIELD CONNECTED TO NUT

SHIELD

Connector pin assignment  
Plug M23 17P FE



SCALE 2:1

Technical Data:

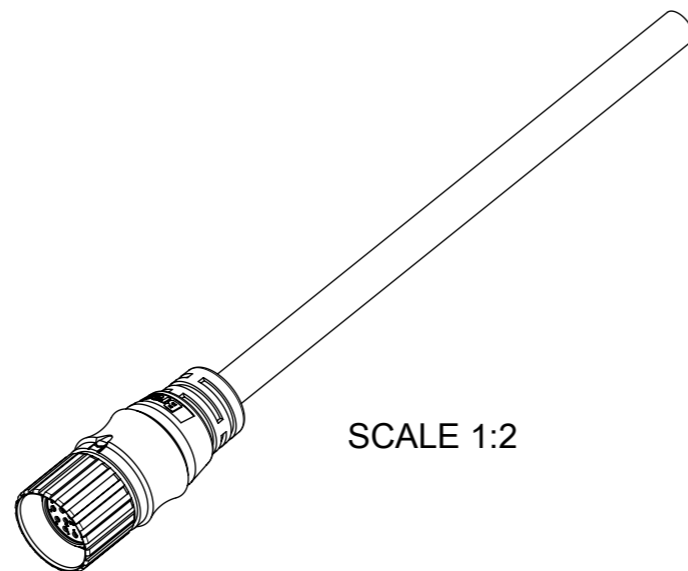
Contact Ø [mm]	1
Nominal current [A]	4,5 (for 0.50mm <sup>2</sup> and for 0.25mm <sup>2</sup> ) / 3 (for 0.14mm <sup>2</sup> )
Nominal voltage [V~]	160
Degree of pollution	3
Test voltage [V~]	1000
Max. contact resistance [mΩ]	3
Insulation resistance [MΩ]	> 100
Protection	IP67 (connected)
Temperature range (fixed)	-40°C to 90°C
Temperature range (flex)	-25°C to 80°C

Further technical data see  
Product Specification 1204900050  
Electrical Test according to 1204900051

Packaging:  
The cordsets delivered packed into Carton.

TABLE 1

MOLEX PN	ENGINEERING No.	L [mm]	Tol. [mm]
1204900511	K0SJS00W10M010	1000	+40
1204900512	K0SJS00W10M020	2000	+60
1204900513	K0SJS00W10M030	3000	+60
1204900514	K0SJS00W10M040	4000	+60
1204900515	K0SJS00W10M050	5000	+60
1204900516	K0SJS00W10M100	10000	+80
1204900517	K0SJS00W10M150	15000	+140
1204900518	K0SJS00W10M200	20000	+140



SCALE 1:2

TABLE 2

ITEM	QTY	DESCRIPTION	MATERIAL	FINISH
1	1	NUT M23 FEMALE	BRASS	NICKEL PLATED
2	1	INSERT M23 FEMALE 17P BLACK	PA66	-
3	1	SHELL M23 FEMALE	BRASS	NICKEL PLATED
4	17	CONTACT 10 FEMALE	BRASS	GOLD
5	-	OVERMOLD BLACK	TPU	-
6	-	CABLE	WSOR	-

THIS DRAWING CONTAINS INFORMATION THAT IS PROPRIETARY TO MOLEX ELECTRONIC TECHNOLOGIES, LLC AND SHOULD NOT BE USED WITHOUT WRITTEN PERMISSION

<b>SYMBOLS</b> THIS DRAWING CONTAINS INFORMATION THAT IS PROPRIETARY TO MOLEX ELECTRONIC TECHNOLOGIES, LLC AND SHOULD NOT BE USED WITHOUT WRITTEN PERMISSION DIMENSION UNITS: mm SCALE: 1:1 GENERAL TOLERANCES (UNLESS SPECIFIED): ANGULAR TOL ± 1.0° 4 PLACES ± 3 PLACES ± 2 PLACES ± 0.05 1 PLACE ± 0.3 0 PLACES ± 0.5 DRAFT WHERE APPLICABLE MUST REMAIN WITHIN DIMENSIONS	CURRENT REV DESC: EC NO: 628246 DRWN: SSM 2019/11/27 CHK'D: RSILLER 2019/11/28 APPR: RSILLER 2019/11/28		 CSE M23 17P SC FE STR WSOR XM SHLD	
	INITIAL REVISION: DRWN: FGAIK 2016/12/15 APPR: RSILLER 2017/02/02			
THIRD ANGLE PROJECTION 		DRAWING: A3-SIZE	SERIES: 120490	MATERIAL NUMBER: SEE TABLE 1 CUSTOMER: GENERAL MARKET SHEET NUMBER: 1 OF 1