

4

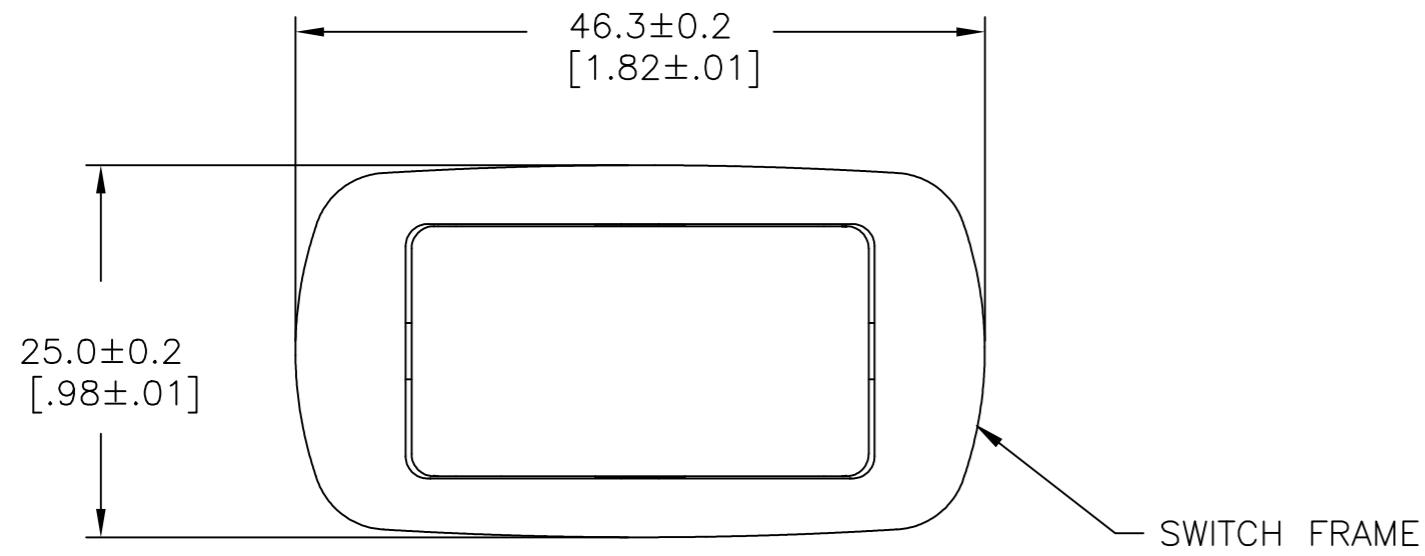
3

2

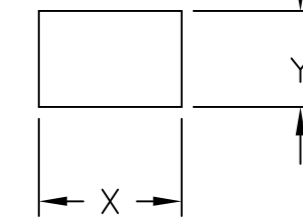
1

THIS DRAWING IS UNPUBLISHED. RELEASED FOR PUBLICATION. ALL RIGHTS RESERVED.

REVISIONS					
P	LTR	DESCRIPTION	DATE	DWN	APVD
	D	REVISED PER ECO-18-017612	28NOV2018	RSM	PO

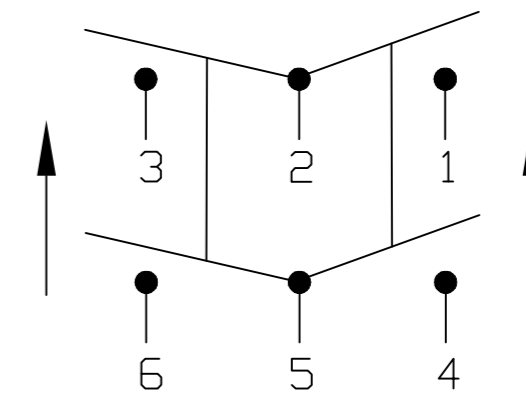


PANEL CUT OUT

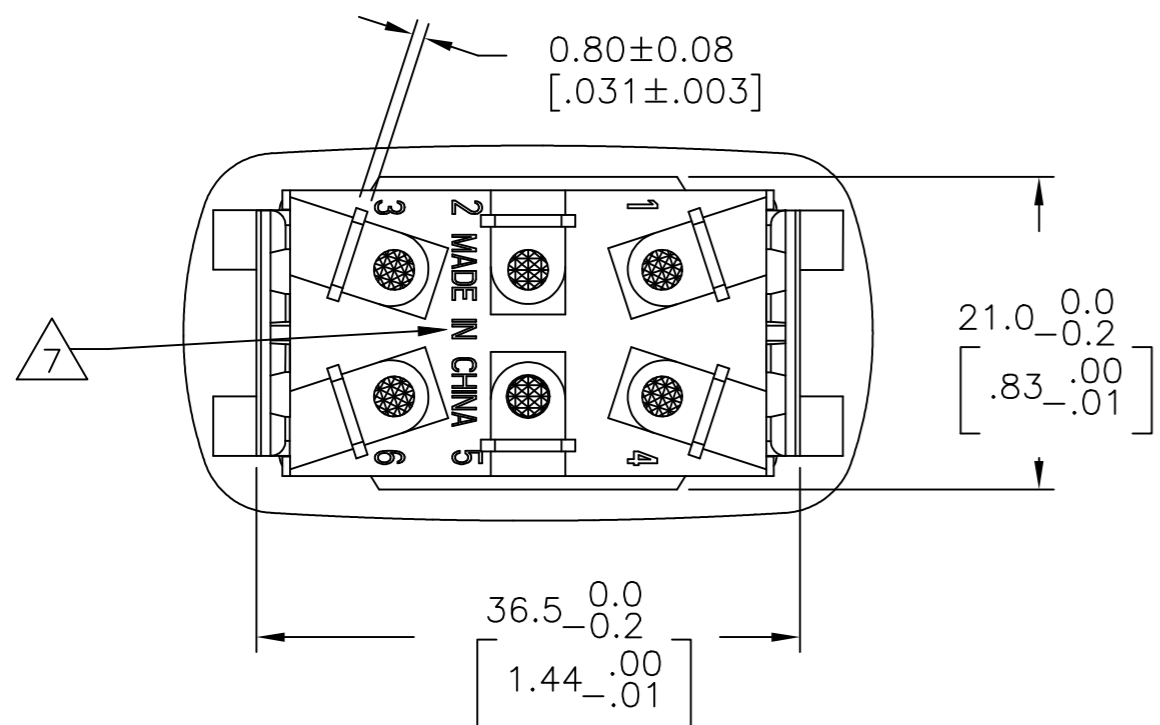
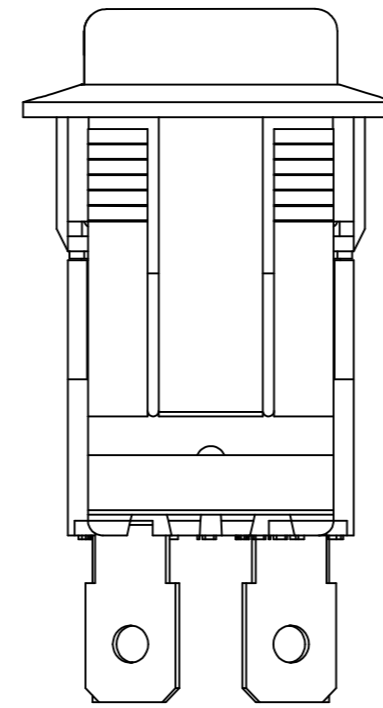
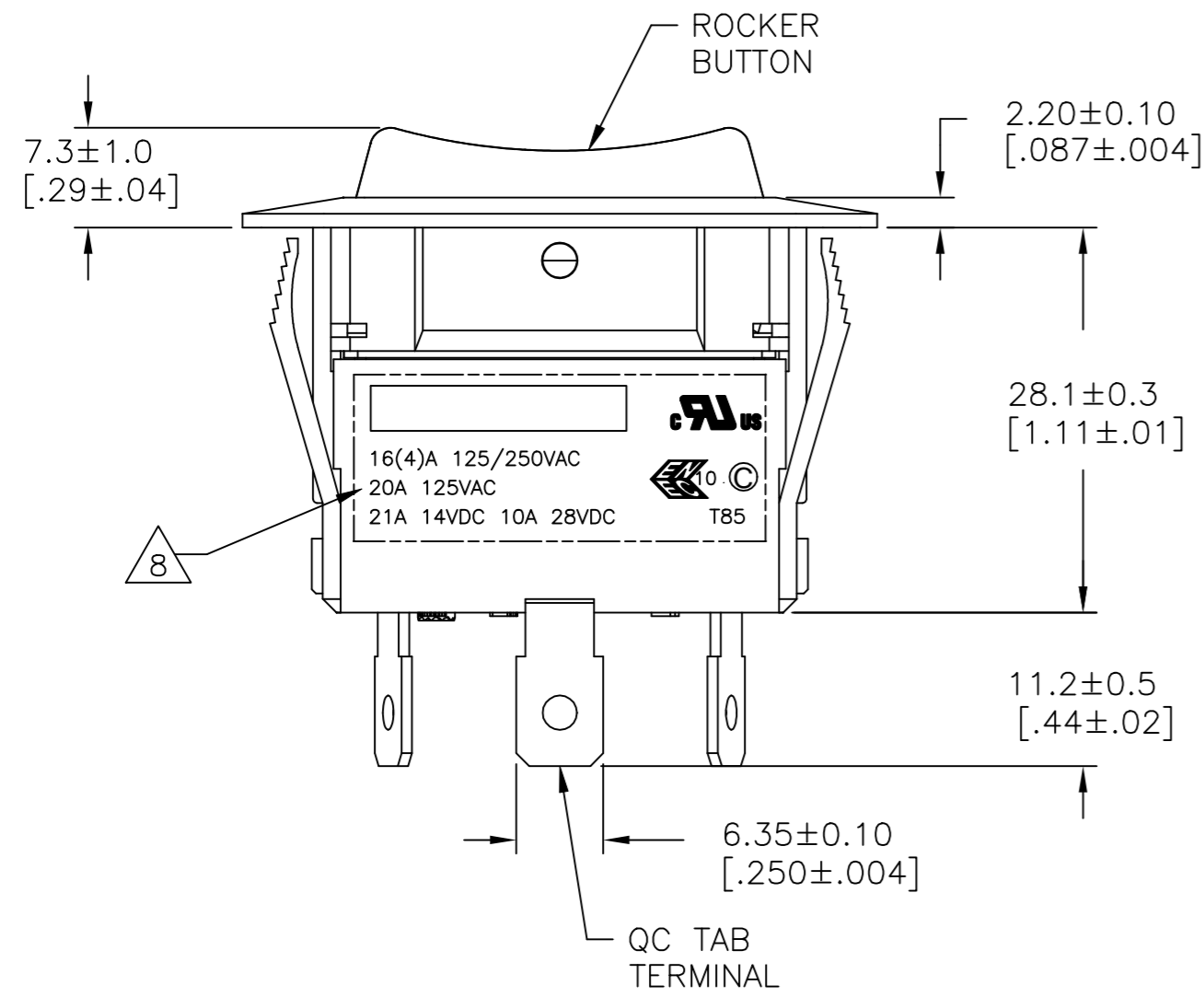
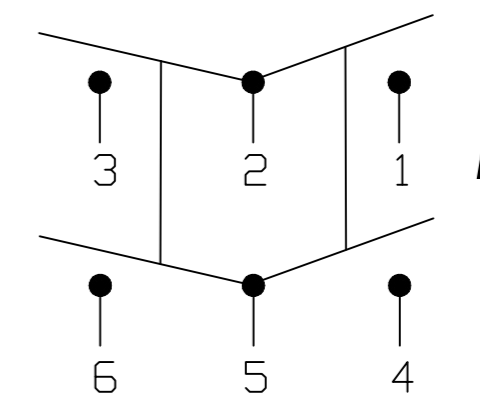


2.00-3.00 [.079-.118]	21.2+0.1 [.835+.004]	37.0+0.2 [1.457+.008]
1.25-2.00 [.049-.079]	21.2+0.1 [.835+.004]	36.8+0.2 [1.449+.008]
.075-1.25 [.030-.049]	21.2+0.1 [.835+.004]	36.6+0.2 [1.441+.008]
PANEL THICKNESS	Y	X

SWITCH FUNCTION D5
CIRCUIT DIAGRAM



SWITCH FUNCTION D4
CIRCUIT DIAGRAM



OBSOLETE 1571099-7
SHOWN

THIS DRAWING IS A CONTROLLED DOCUMENT.		DWN M.BINNER 25FEB2002		
DIMENSIONS: mm [INCHES]		CHK D.ROHDE 16NOV05		
TOLERANCES UNLESS OTHERWISE SPECIFIED:		APVD D.ROHDE 16NOV05	NAME POWER ROCKER SWITCH 21.2mmX36.6mm MIN PANEL SIZE DPDT, NON-ILLUMINATED	
0 PLC ± - 1 PLC ± - 2 PLC ± - 3 PLC ± - 4 PLC ± - ANGLES ± -		PRODUCT SPEC APPLICATION SPEC	SIZE A2	
MATERIAL 1	FINISH 2	WEIGHT	CAGE CODE 00779	DRAWING NO 1571099
CUSTOMER DRAWING			SCALE 2:1	SHEET 1 of 4
			RESTRICTED TO	REV D

4

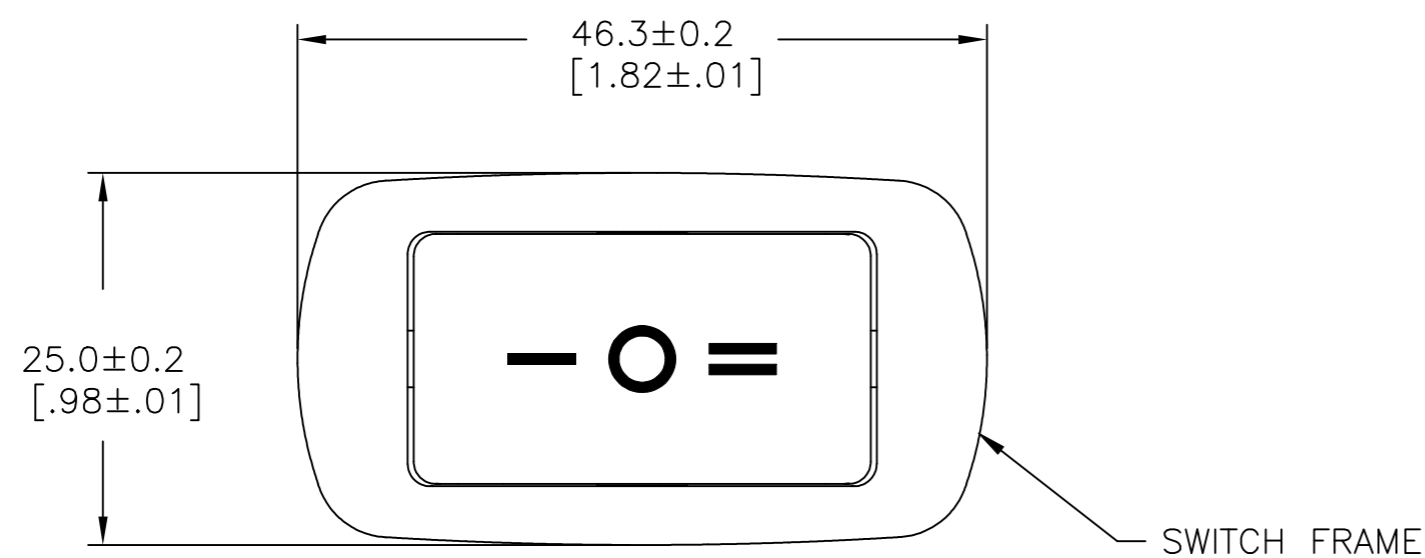
3

2

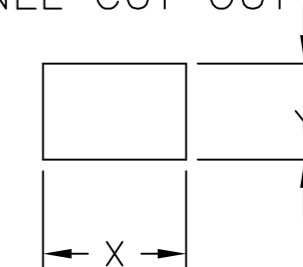
1

THIS DRAWING IS UNPUBLISHED. RELEASED FOR PUBLICATION
 © COPYRIGHT - By - ALL RIGHTS RESERVED.

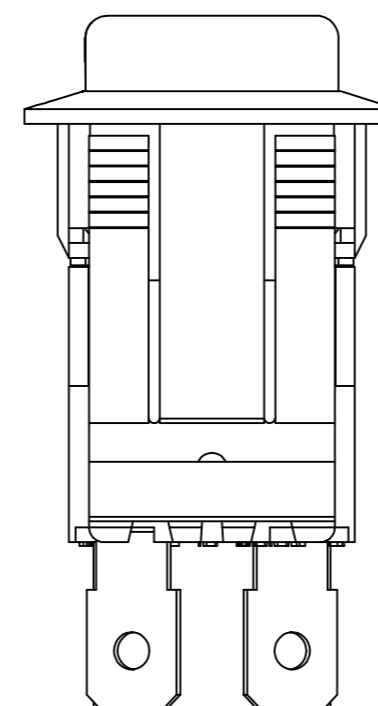
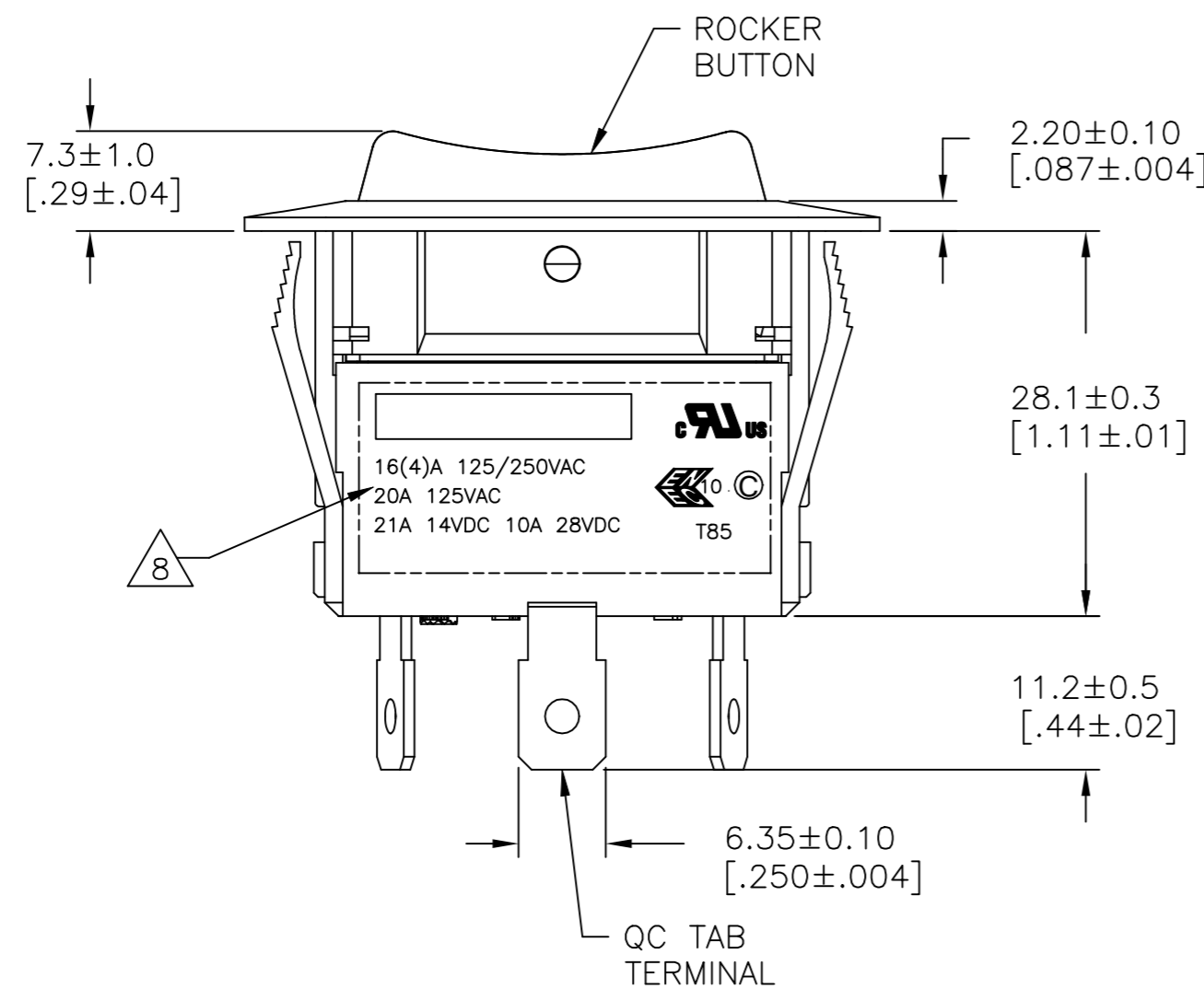
REVISIONS					
P	LTR	DESCRIPTION	DATE	DWN	APVD
-	-	SEE SHEET 1	-	-	-



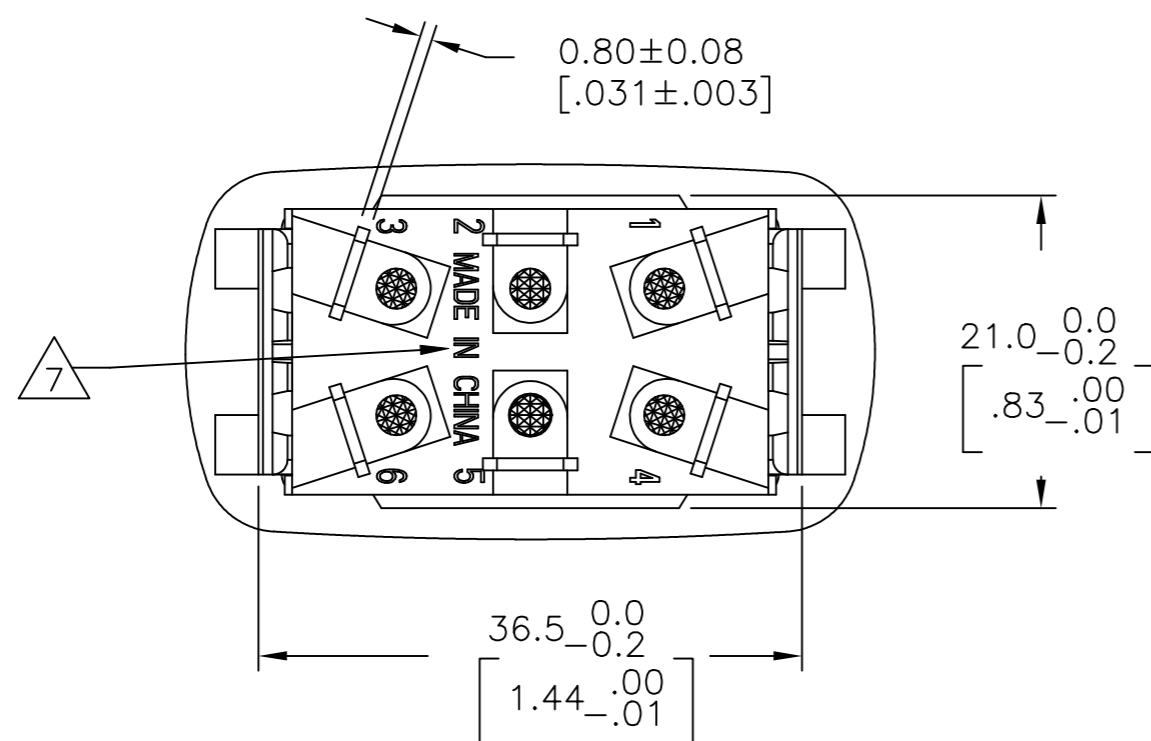
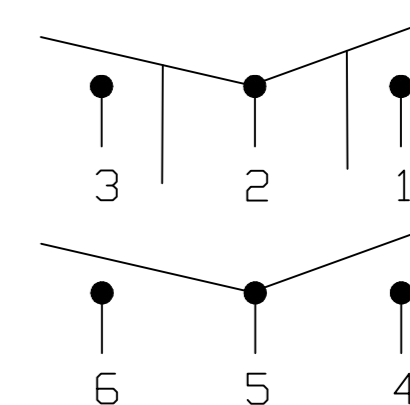
PANEL CUT OUT



2.00-3.00 [.079-.118]	21.2+0.1 [.835+.004]	37.0+0.2 [1.457+.008]
1.25-2.00 [.049-.079]	21.2+0.1 [.835+.004]	36.8+0.2 [1.449+.008]
.075-1.25 [.030-.049]	21.2+0.1 [.835+.004]	36.6+0.2 [1.441+.008]
PANEL THICKNESS	Y	X



SWITCH FUNCTION D3
CIRCUIT DIAGRAM



OBSOLETE 1571099-5 SHOWN

THIS DRAWING IS A CONTROLLED DOCUMENT.		DWN	25FEB2002	TE Connectivity	
DIMENSIONS: mm [INCHES]		CHK	16NOV05	NAME	
TOLERANCES UNLESS OTHERWISE SPECIFIED:		APVD	16NOV05	POWER ROCKER SWITCH 21.2mmX36.6mm MIN PANEL SIZE DPDT, NON-ILLUMINATED	
0 PLC ± -	1 PLC ± -	PRODUCT SPEC	SIZE CAGE CODE DRAWING NO		
2 PLC ± -	3 PLC ± -	APPLICATION SPEC	A2	00779	C=1571099
4 PLC ± -	ANGLES ± -	WEIGHT	RESTRICTED TO		
MATERIAL	FINISH	CUSTOMER DRAWING	SCALE	SHEET	REV
1	2		2:1	2 of 4	D

4

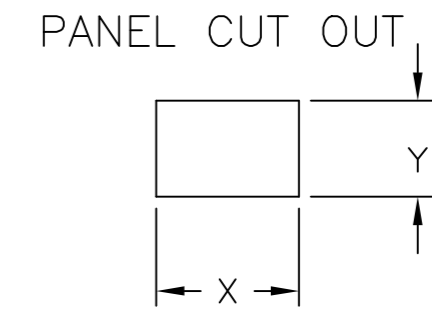
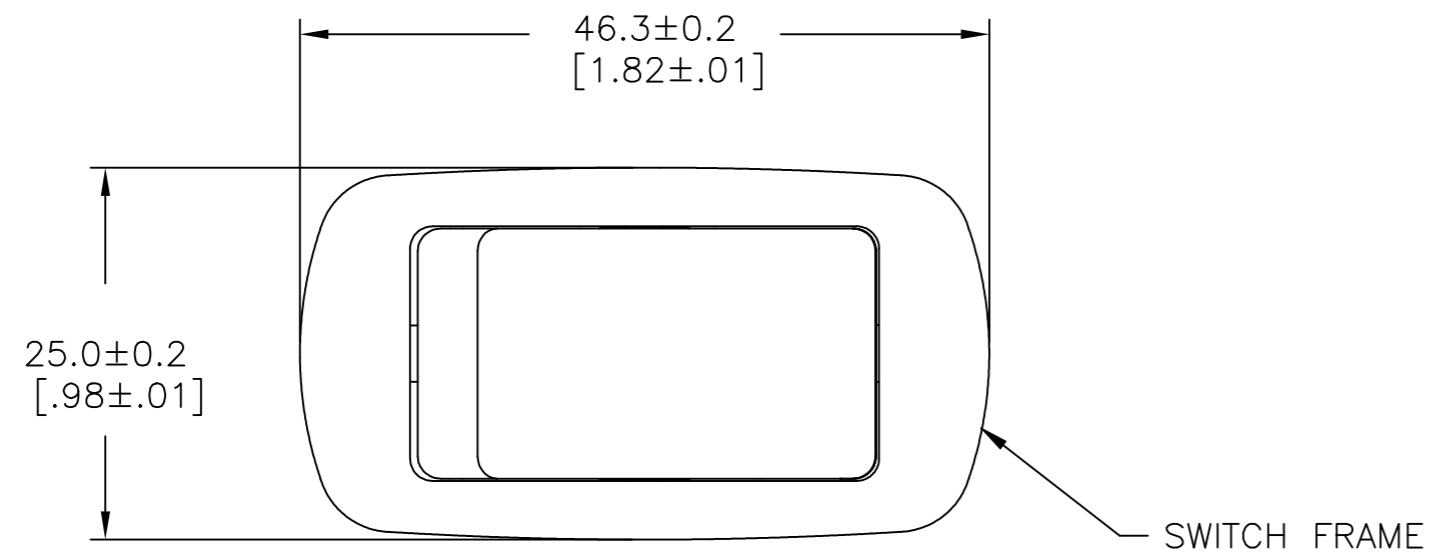
3

2

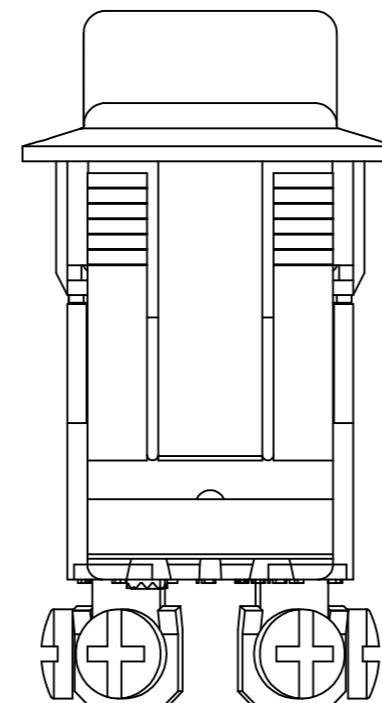
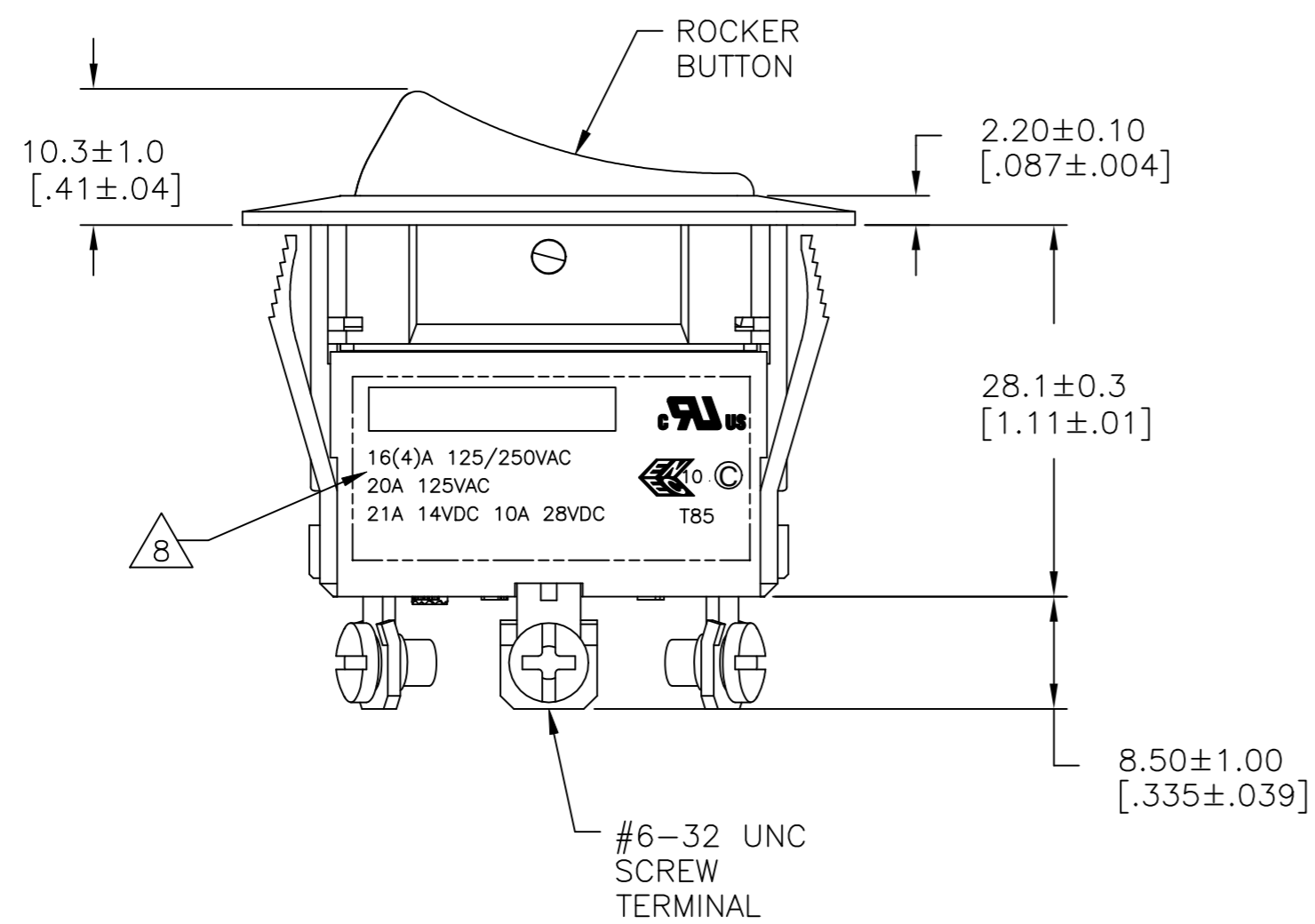
1

THIS DRAWING IS UNPUBLISHED. RELEASED FOR PUBLICATION. ALL RIGHTS RESERVED.

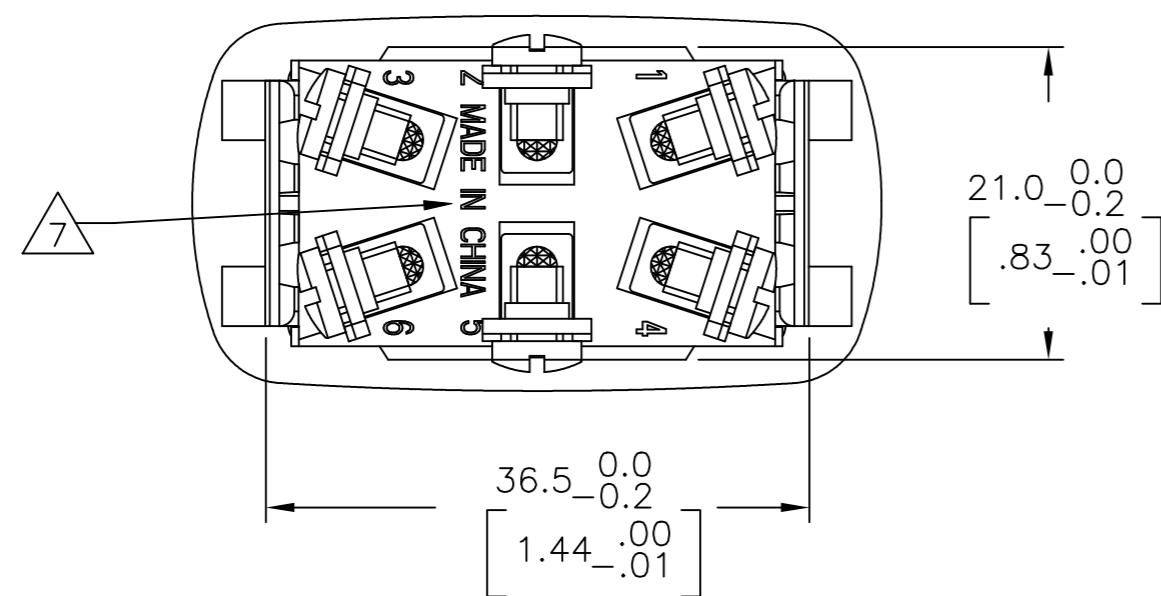
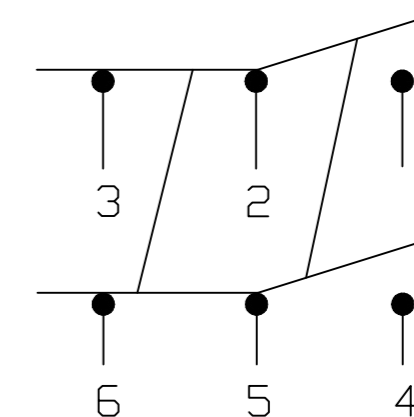
REVISIONS					
P	LTR	DESCRIPTION	DATE	DWN	APVD
-	-	SEE SHEET 1	-	-	-



2.00-3.00 [.079-.118]	21.2+0.1 [.835+.004]	37.0+0.2 [1.457+.008]
1.25-2.00 [.049-.079]	21.2+0.1 [.835+.004]	36.8+0.2 [1.449+.008]
.075-1.25 [.030-.049]	21.2+0.1 [.835+.004]	36.6+0.2 [1.441+.008]
PANEL THICKNESS	Y	X



SWITCH FUNCTION D1
CIRCUIT DIAGRAM



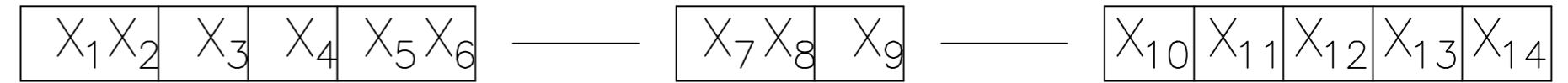
OBSOLETE 1-1571099-0 SHOWN

THIS DRAWING IS A CONTROLLED DOCUMENT.		DWN M.BINNER 25FEB2002		
DIMENSIONS: mm [INCHES]		CHK D.ROHDE 16NOV05		
TOLERANCES UNLESS OTHERWISE SPECIFIED:		APVD D.ROHDE 16NOV05	NAME POWER ROCKER SWITCH 21.2mmX36.6mm MIN PANEL SIZE DPDT, NON-ILLUMINATED	
		PRODUCT SPEC	SIZE A2	
		APPLICATION SPEC	CAGE CODE 00779	DRAWING NO 1571099
MATERIAL	FINISH	WEIGHT	RESTRICTED TO	
1	2	-	SCALE 2:1	SHEET 3 of 4
CUSTOMER DRAWING			REV D	

THIS DRAWING IS UNPUBLISHED. RELEASED FOR PUBLICATION
 © COPYRIGHT - By - ALL RIGHTS RESERVED.

REVISIONS				
P	LTR	DESCRIPTION	DATE	DWN
-	-	SEE SHEET 1	-	-

LEGACY PART NUMBER



1 MATERIALS:
 ROCKER BUTTON, FRAME & HOUSING: NYLON 66, UL 94 V-2.
 PLUNGER: PHENOLIC
 SEAL: SILICONE RUBBER
 SCREW TERMINAL, ACTIVE CONTACTOR, CONTACTOR SUPPORT: COPPER
 ALLOY PER ASTM B152
 QC & SOLDER TERMINAL: COPPER ALLOY PER ASTM B036
 SPRING: STEEL WIRE
 CONTACTS: SILVER-TIN OXIDE

2 FINISH:
 CONTACTOR SUPPORT, ACTIVE CONTACTOR: 1.01µm [.000040]
 MIN SILVER
 QC TERMINAL: 1.27µm [.000050] MIN NICKEL
 SOLDER TERMINAL: 1.27µm [.000050] MIN TIN

3 ELECTRICAL SPECIFICATIONS:
 CURRENT AND VOLTAGE: 6
 CONTACT RESISTANCE (INITIAL): <50mΩ
 DIELECTRIC STRENGTH (INITIAL): >1000 VAC, 1 MINUTE
 INSULATION RESISTANCE (INITIAL): >100MΩ MIN (500VDC BETWEEN OPEN CONTACTS)
 ELECTRICAL LIFE ENDURANCE: >6000 OPERATIONS, VOLTAGE DROP: <100mV
 TEMPERATURE RISE AT TERMINALS: <30°C, 6000 OPERATIONS
 (AMBIENT CONDITIONS: 25±2°C AND 65±5%R.H)

4 MECHANICAL SPECIFICATIONS:
 ACTUATING FORCE: 1100g MIN, 3000g MAX
 OPERATING LIFE ENDURANCE: >100,000 OPERATIONS
 TERMINAL RETENTION FORCE: >9kg- SOLDER LUG
 >9kg- QC TAB
 >6.8kg- #6-32 SCREW

5 ENVIRONMENTAL SPECIFICATIONS:
 AMBIENT TEMPERATURE: -20°C TO +85°C
 DEGREE OF PROTECTION: IP 66

6 16(4)A 125/250VAC, 20A 125VAC, 21A 14VDC 10A 28VDC

7 COUNTRY OF ORIGIN AND TERMINAL IDENTIFICATION NUMBERS
 MOLDED APPROXIMATELY AS SHOWN ON THE SWITCH HOUSING.

8 ELECTRICAL RATINGS, APPROVED AGENCY LOGOS AND THE TE
 CONNECTIVITY LOGO INK MARKED APPROXIMATELY AS SHOWN ON
 THE SWITCH HOUSING.

9 COMPONENT RECOGNIZED TO US & CANADIAN STANDARDS,
 UL FILE NO. E46765.

10 ROHS 2002/95/EC COMPLIANT

SWITCH TYPE: X1X2 = PR - POWER ROCKER

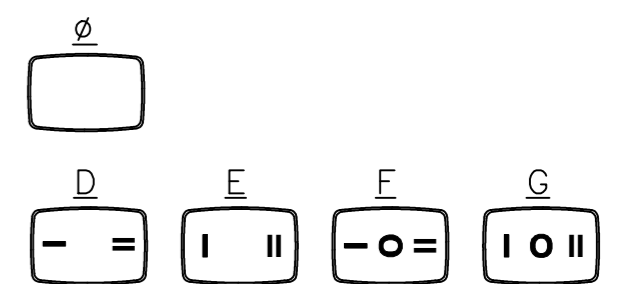
SECONDARY ROCKER COLOR: X12 = ∅ - NOT APPLICABLE

PANEL CUT OUT SIZE: X3 = C - 21.2x36.6 MIN
 [.835x1.441]

NUMBER OF POLES: X4 = D - DOUBLE

SWITCH FUNCTION: X5X6 =
 D1-ON-NONE-ON, WITH OPAQUE,
 SINGLE-COLOR ROCKER BUTTON.
 D3-ON-OFF-ON, WITH OPAQUE,
 SINGLE-COLOR ROCKER BUTTON.
 D4-ON-OFF-(ON), WITH OPAQUE,
 SINGLE-COLOR ROCKER BUTTON.
 D5-(ON)-OFF-(ON), WITH OPAQUE,
 SINGLE-COLOR ROCKER BUTTON.

LEGEND TEXT PATTERN: X13 =



CURRENT RATING: X7X8 = 20 - 6

LEGEND TEXT COLOR: X14 = ∅ - NOT APPLICABLE

TERMINAL TYPE: X9 = F - QC TAB
 L - SOLDER LUG
 S - #6-32 UNC SCREW

G - GREEN
 R - RED
 B - BLACK
 W - WHITE

FRAME COLOR: X10 = B - BLACK
 W - WHITE

ROCKER COLOR: X11 = B - BLACK
 G - GREEN
 R - RED
 W - WHITE
 Y - YELLOW

OBSOLETE	1	PRCDD5-20F-BB000	1-1571099-3
	3	PRCDD1-20S-BB0EW	1-1571099-2
	3	PRCDD1-20S-BB0DW	1-1571099-1
	3	PRCDD1-20S-BB000	1-1571099-0
	1	PRCDD4-20F-BB0GW	1571099-9
	1	PRCDD4-20F-BB0FW	1571099-8
	1	PRCDD4-20F-BB000	1571099-7
	2	PRCDD3-20F-BB0GW	1571099-6
	2	PRCDD3-20F-BB0FW	1571099-5
	2	PRCDD3-20F-BB000	1571099-4
OBSOLETE	2	PRCDD1-20F-BB0EW	1571099-3
	2	PRCDD1-20F-BB0DW	1571099-2
	2	PRCDD1-20F-BB000	1571099-1
	SHEET REF	ALCOSWITCH PART NUMBER	TYCO PART NUMBER

THIS DRAWING IS A CONTROLLED DOCUMENT. DWN M.BINNER 25FEB2002
 CHK D.ROHDE 16NOV05
 APVD D.ROHDE 16NOV05

TE Connectivity

POWER ROCKER SWITCH 21.2mmX36.6mm MIN
 PANEL SIZE DPDT, NON-ILLUMINATED

SIZE A2 CAGE CODE 00779 DRAWING NO. C=1571099 RESTRICTED TO -
 CUSTOMER DRAWING SCALE 2:1 SHEET 4 of 4 REV D