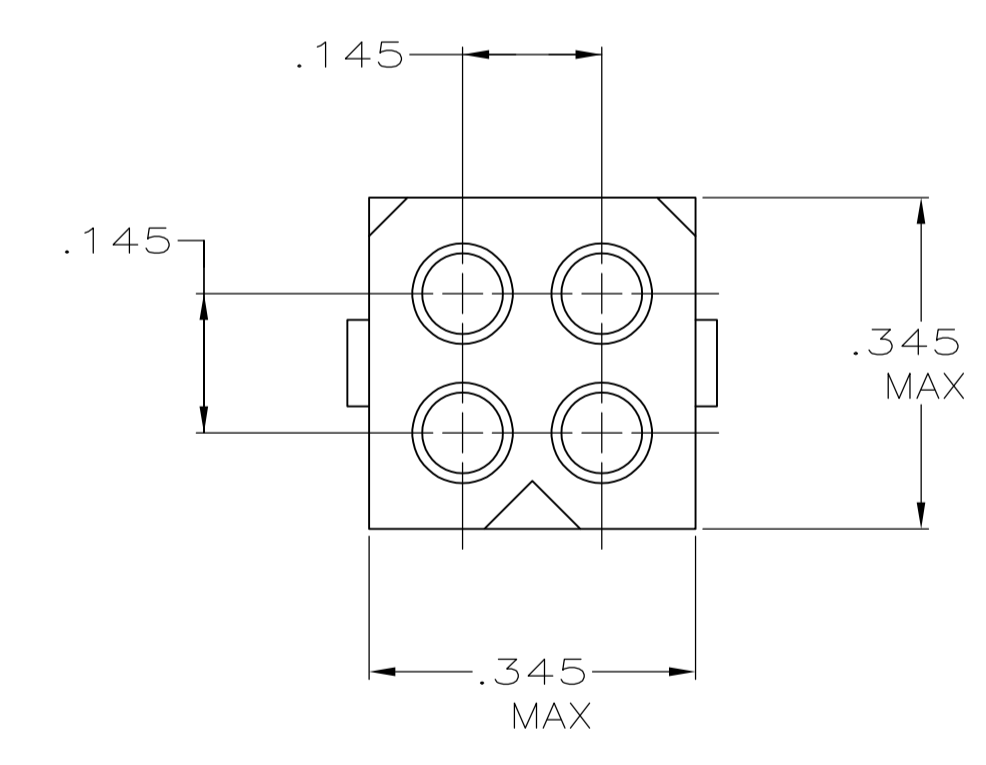
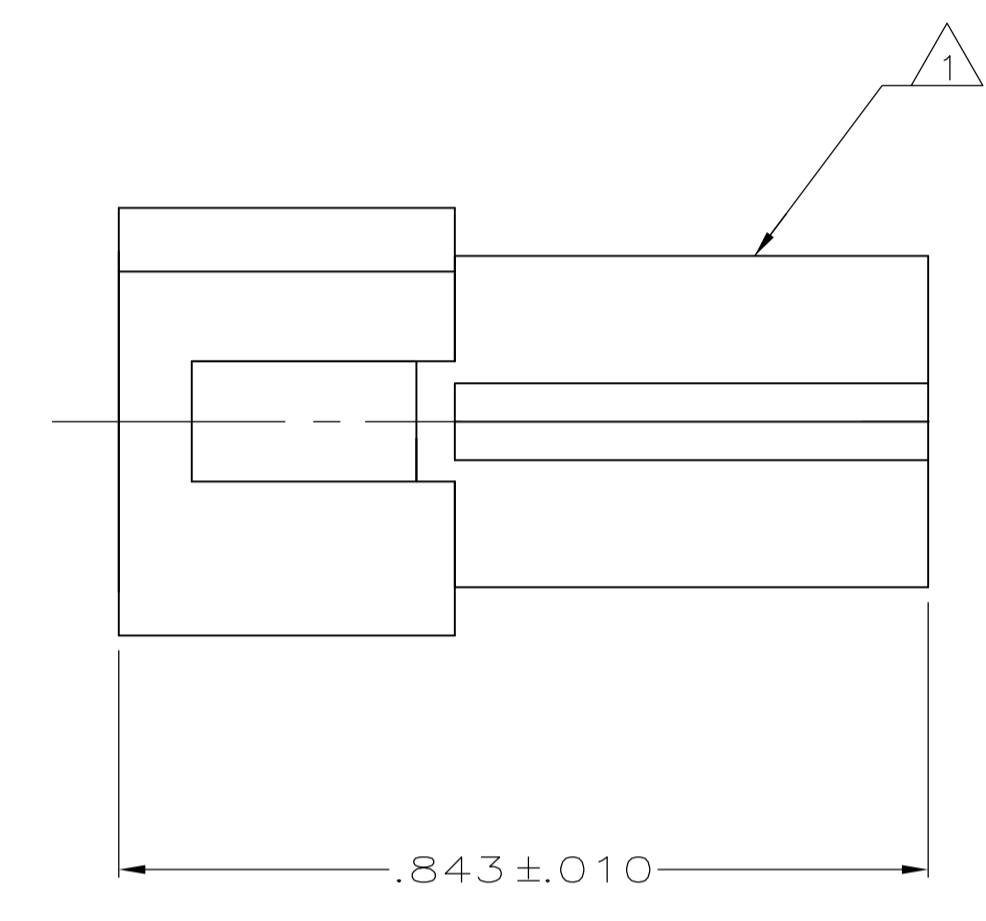
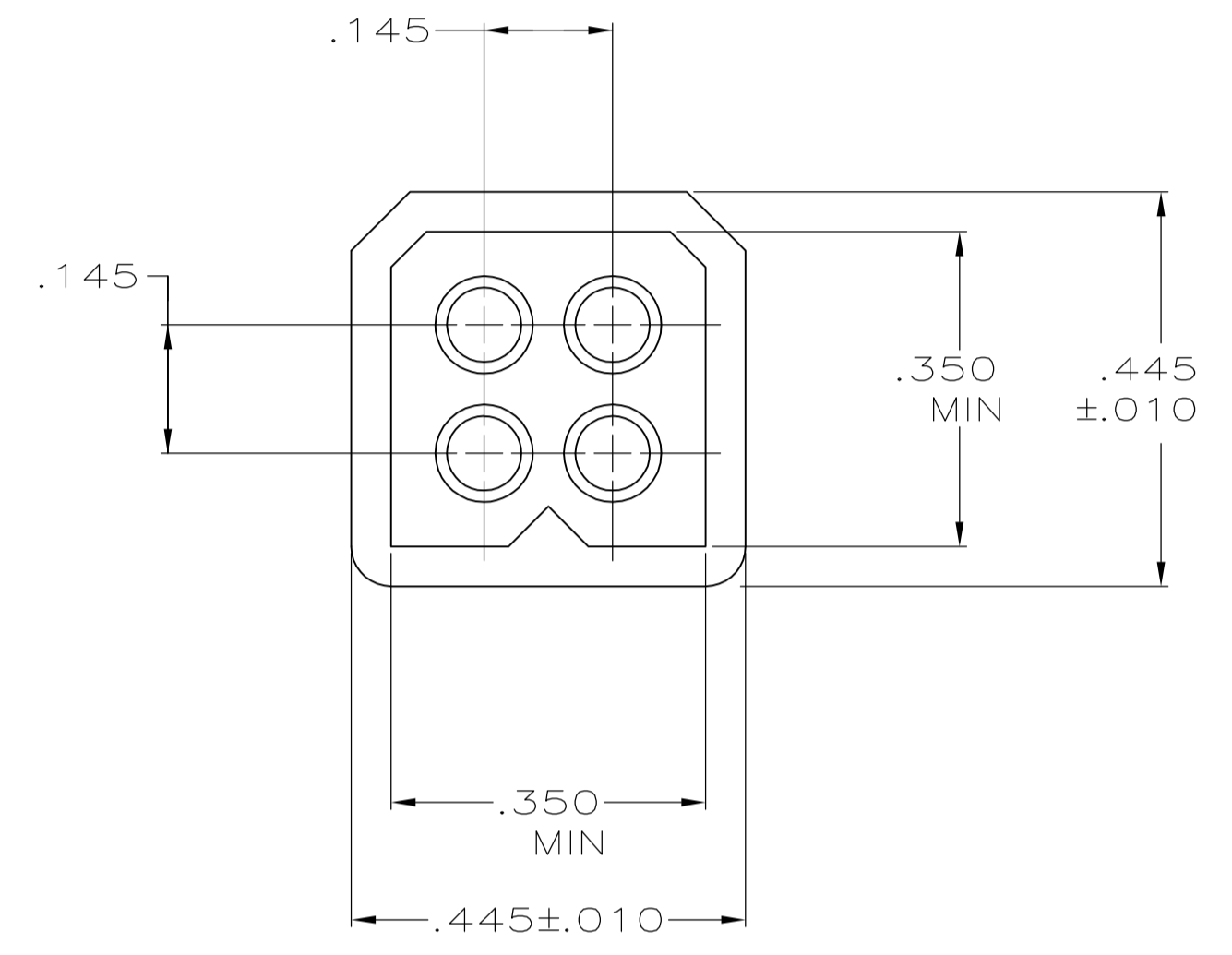
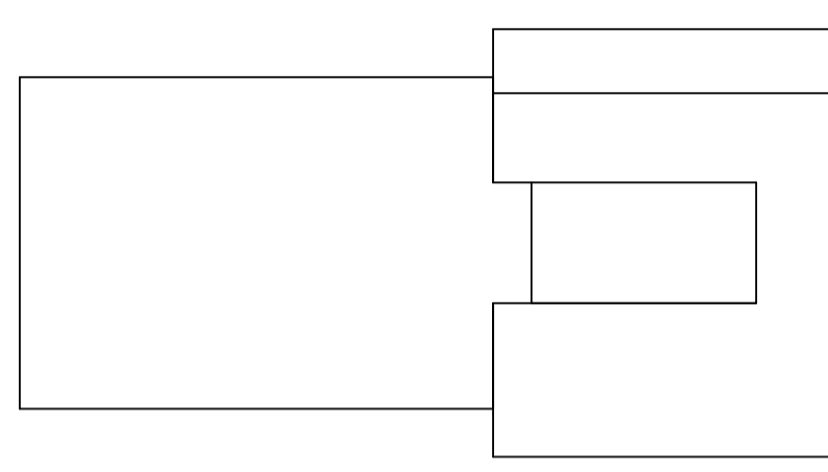
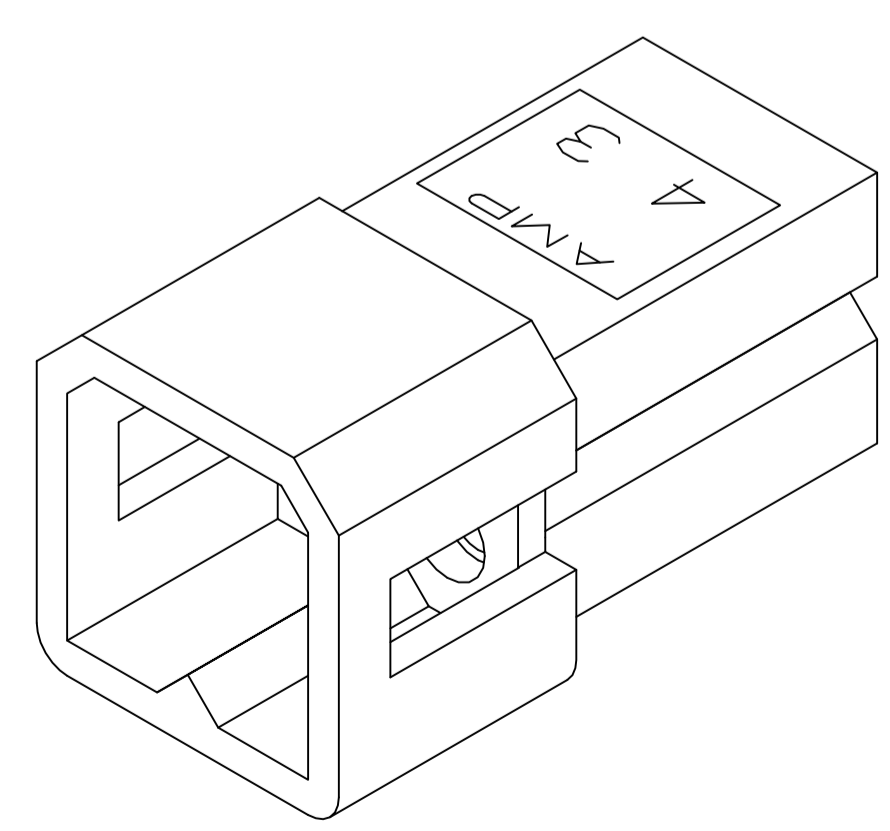


LOC		DIST		REVISONS			
P	LTR	DESCRIPTION	DATE	DMN	APVD		
B2		REVISED PER ECR-09-007140	31MAR09	HMR	KR		

1 AMP LOGO LOCATED ON THIS SURFACE.
 2 PRELIMINARY - NOT FOR PRODUCTION



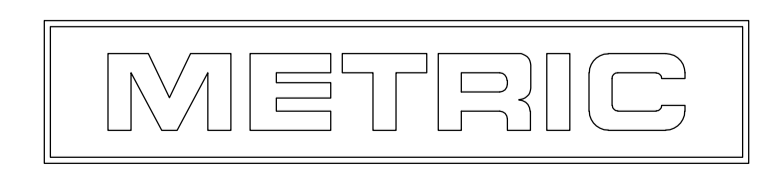
MATING CONNECTOR INTERFACE



3-DIMENSIONAL MODEL
 NTS

IN	MM	IN	MM
.145	3.68	.843	21.41
.062	1.57	.445	11.30
.010	0.25	.350	8.89
.005	0.13	.345	8.76

CONVERSION TABLE



BLACK	770433-3
NATURAL	770433-1
COLOR	PART NUMBER

THIS DRAWING IS A CONTROLLED DOCUMENT.

DIMENSIONS:	TOLERANCES UNLESS OTHERWISE SPECIFIED:	DIN	9-19-88	Tyco Electronics Corporation Harrisburg, PA 17105-3608
INCHES		K. WHITAKER	9-20-88	
		CHK	R. SWING	10-5-88
		APP'D	R. CARSON	
		NAME		PLUG, 4 CIRCUIT, .062 PIN AND SOCKET
		PRODUCT SPEC		
		APPLICATION SPEC		
		SIZE	CAGE CODE	DRAWING NO
		WEIGHT		RESTRICTED TO
MATERIAL	FINISH			
NYLON, UL94V-2				
		CUSTOMER DRAWING	SCALE 5:1	SHEET 1 OF 1

0. PLC ± -
 1. PLC ± -
 2. PLC ± -
 3. PLC ± .005
 4. PLC ± -
 ANGLES ± -

SCALE 5:1 SHEET 1 OF 1 REV B2