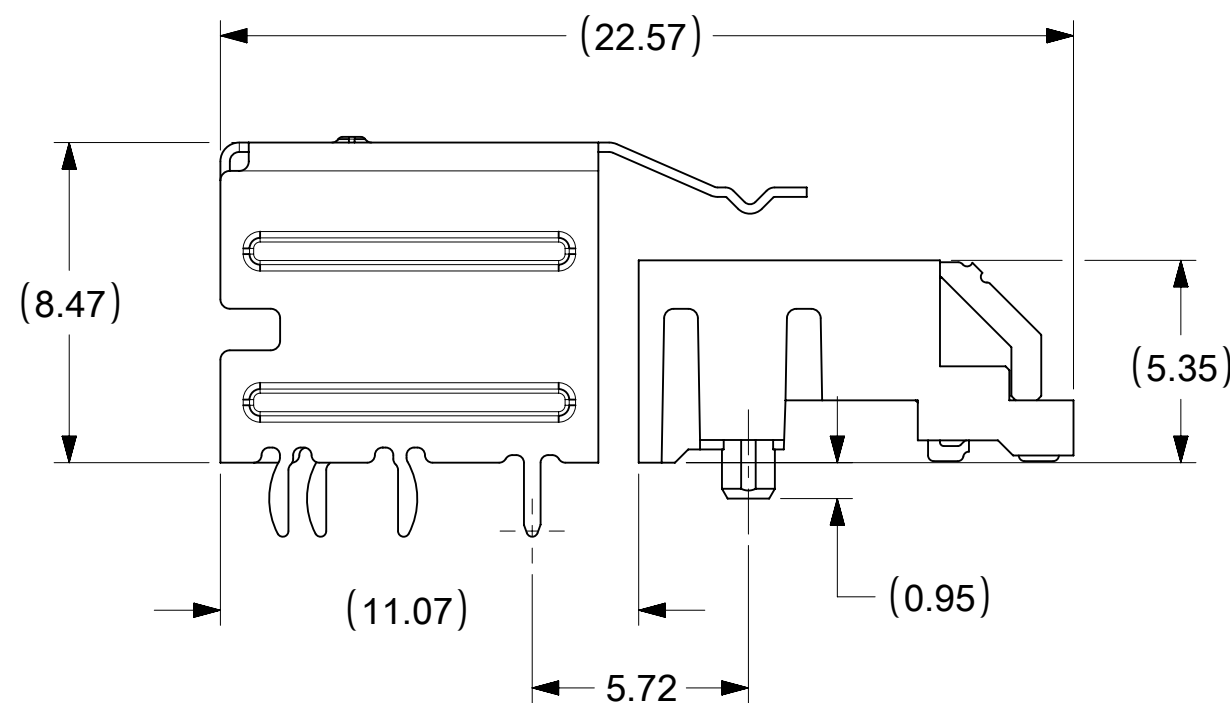
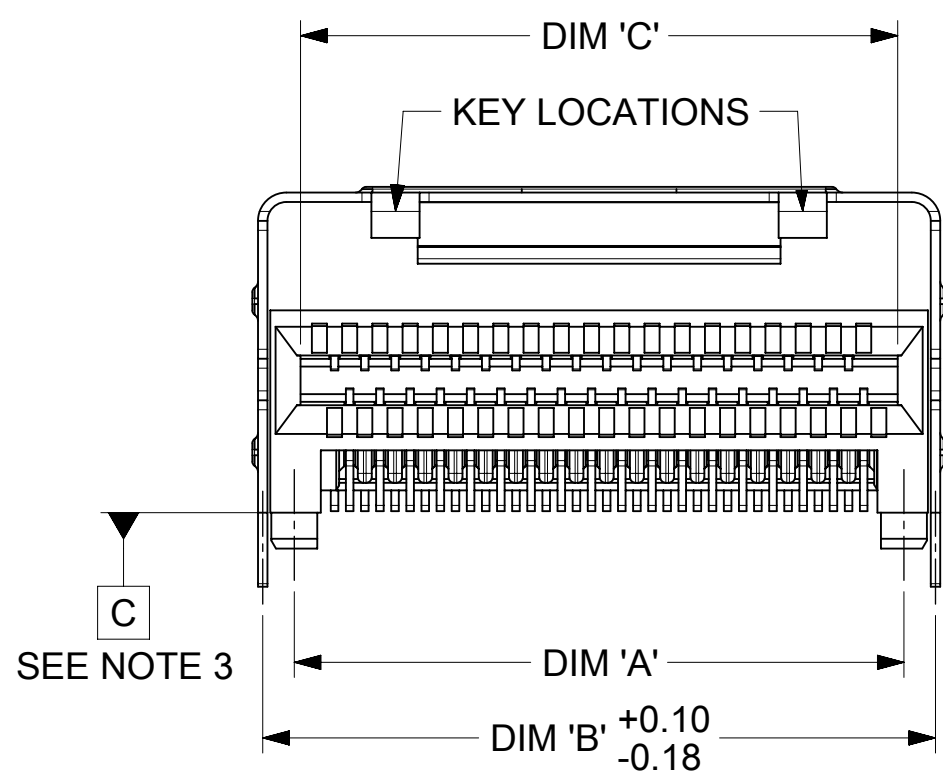


NOTES:

- MATERIAL:  
CONNECTOR:  
HOUSING - HIGH TEMPERATURE THERMOPLASTIC GLASS FILLED, UL 94V-0, BLACK  
TERMINALS - COPPER ALLOY  
SHELL  
SILVER NICKEL, C770, THICKNESS: 0.250/0.254
- FINISH:  
CONNECTOR  
OPTION 1  
CONTACT AREA - 0.38µm MIN GOLD OVER 2.54 µm NICKEL  
SOLDER FOOT AREA - 2.54-5.09µm TIN OVER 1.27 µm NICKEL  
OPTION 2  
CONTACT AREA - 0.76µm MIN GOLD OVER 2.54 µm NICKEL  
SOLDER FOOT AREA - 2.54-5.09µm TIN OVER 1.27 µm NICKEL
- TERMINAL SOLDER FEET TO BE COPLANAR WITHIN 0.10 MEASURED FROM FRONT HOUSING STAND OFF (DATUM C)
- DATE CODE: 4 DIGIT (3 DIGIT DAY, 1 DIGIT YEAR) CONNECTOR ONLY
- CIRCUIT IDENTIFIER: SEE APPROPRIATE INDUSTRY SPECIFICATION FOR LOCATION OF PIN 1.
- TO BE USED WITH THE FOLLOWING CABLE SERIES:  
79575/74563/79576/74573/79536/74562/74586
- PACKAGED PER PACKAGING SPECIFICATION: PK-75783-001
- CONFORMS TO PRODUCT SPECIFICATION: PS-75783-001
- PROCESS PER APPLICATION SPECIFICATION: AS-75783-001
- THIS PART CONFORMS TO CLASS C REQUIREMENTS OF COSMETIC SPEC PS-45499-002



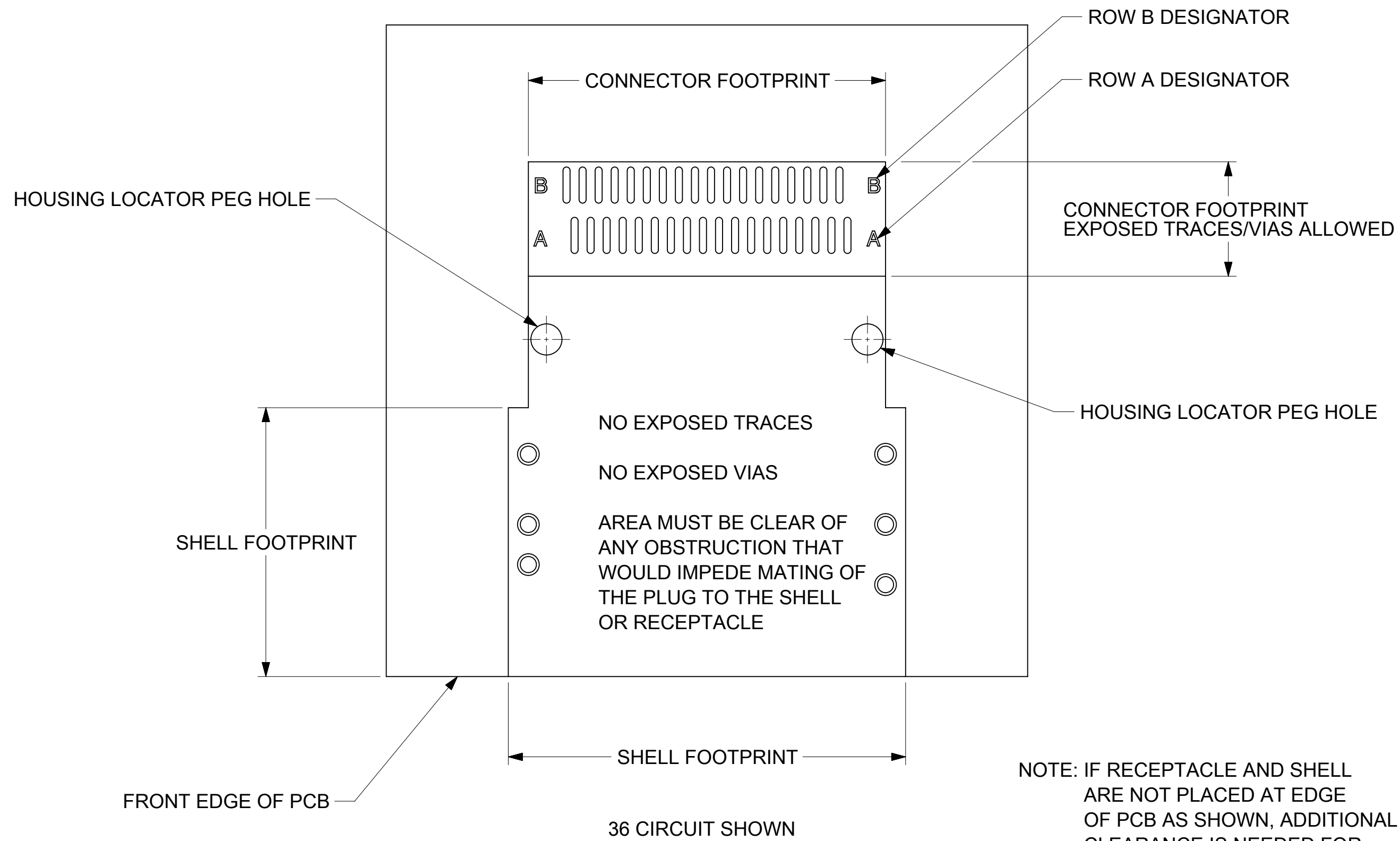
36 CIRCUIT  
RETENTION FIT  
SHELL OPTION SHOWN

| CIRCUIT SIZE | DIM 'A' | DIM 'B' | DIM 'C' |
|--------------|---------|---------|---------|
| 26           | 12.00   | 13.80   | 11.80   |
| 36           | 16.00   | 17.80   | 15.80   |
| 50           | 21.60   | 23.40   | 21.40   |
| 68           | 28.80   | 30.60   | 28.60   |

| SYMBOLS         |  | THIS DRAWING CONTAINS INFORMATION THAT IS PROPRIETARY TO MOLEX ELECTRONIC TECHNOLOGIES, LLC AND SHOULD NOT BE USED WITHOUT WRITTEN PERMISSION |   |
|-----------------|--|---|---|
| DIMENSION UNITS | SCALE  | CURRENT REV DESC: OBSOLETE PART NO  |   |
| ▽ = 0           | mm   | 5:1   | <b>molex</b><br>I-PASS R/A CONNECTOR<br>INTERNAL ASSY W/SHELL 0.8MM PITCH I/O                               |
| ▽ = 0           | GENERAL TOLERANCES (UNLESS SPECIFIED)                |   |   |
| ▽ = 0           | ANGULAR TOL ± 0.5°                                   |   | EC NO: 696749<br>DRWN: MUM 2019/03/27<br>CHK'D: GB 2019/11/06<br>APPR: JKACHLIC 2022/02/23                  |
| ▽ = 0           | 4 PLACES ±   |   |   |
| ▽ = 0           | 3 PLACES ±   |   | PRODUCT CUSTOMER DRAWING<br>DOCUMENT NUMBER: SD-75783-001<br>DOC TYPE: PSD<br>DOC PART: 001<br>REVISION: F1 |
| ▽ = 0           | 2 PLACES ± 0.13                                      |   |   |
| ▽ = 0           | 1 PLACE ± 0.25                                       |   | INITIAL REVISION:<br>DRWN: KLANG 2005/04/15<br>APPR: RNELSON 2005/04/18                                     |
| ▽ = 0           | 0 PLACES ±   |   |   |
| ▽ = 0           | DRAFT WHERE APPLICABLE MUST REMAIN WITHIN DIMENSIONS |   | THIRD ANGLE PROJECTION<br>  |
| ▽ = 0           | DRAWING  |   | SERIES: C-SIZE 75783<br>MATERIAL NUMBER: SEE TABLE<br>CUSTOMER: GENERAL MARKET<br>SHEET NUMBER: 1 OF 13     |

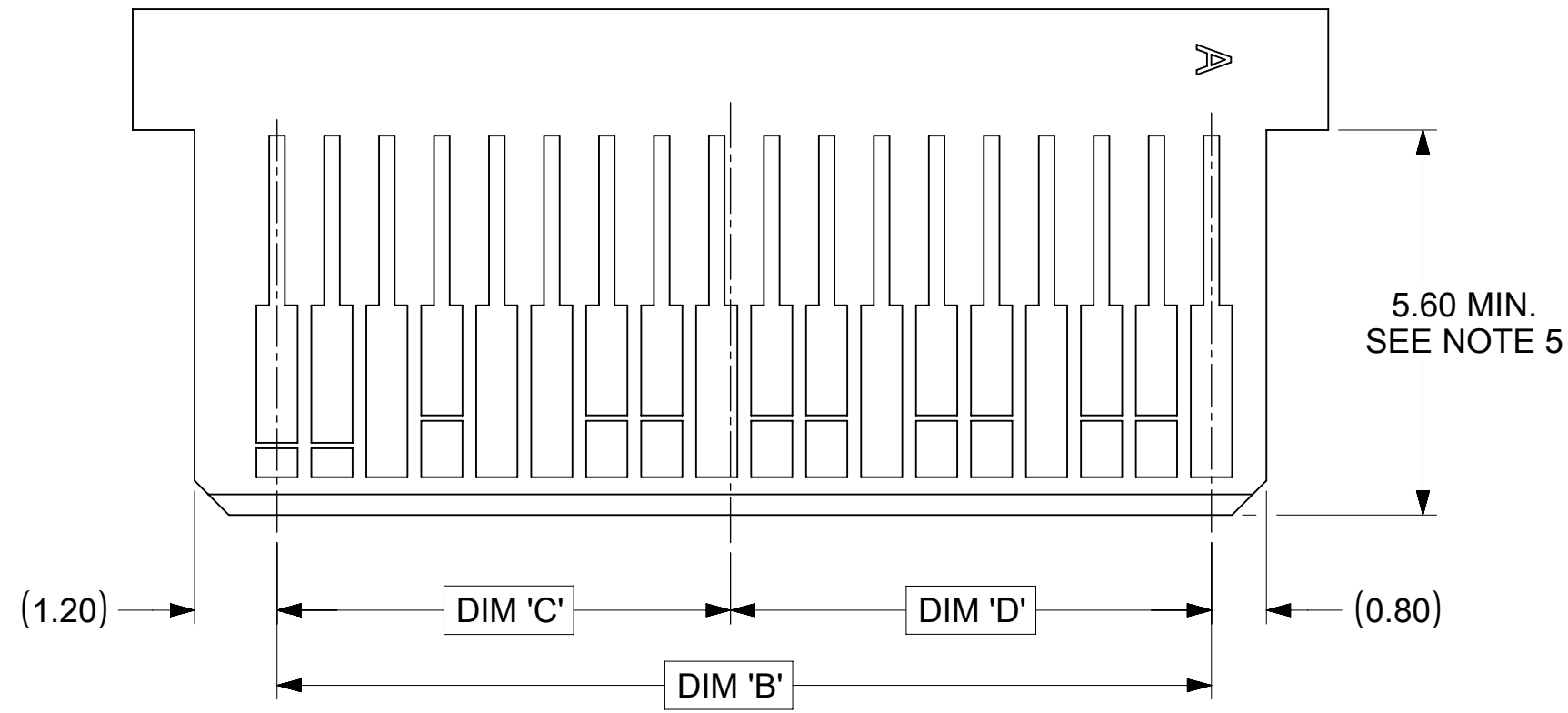
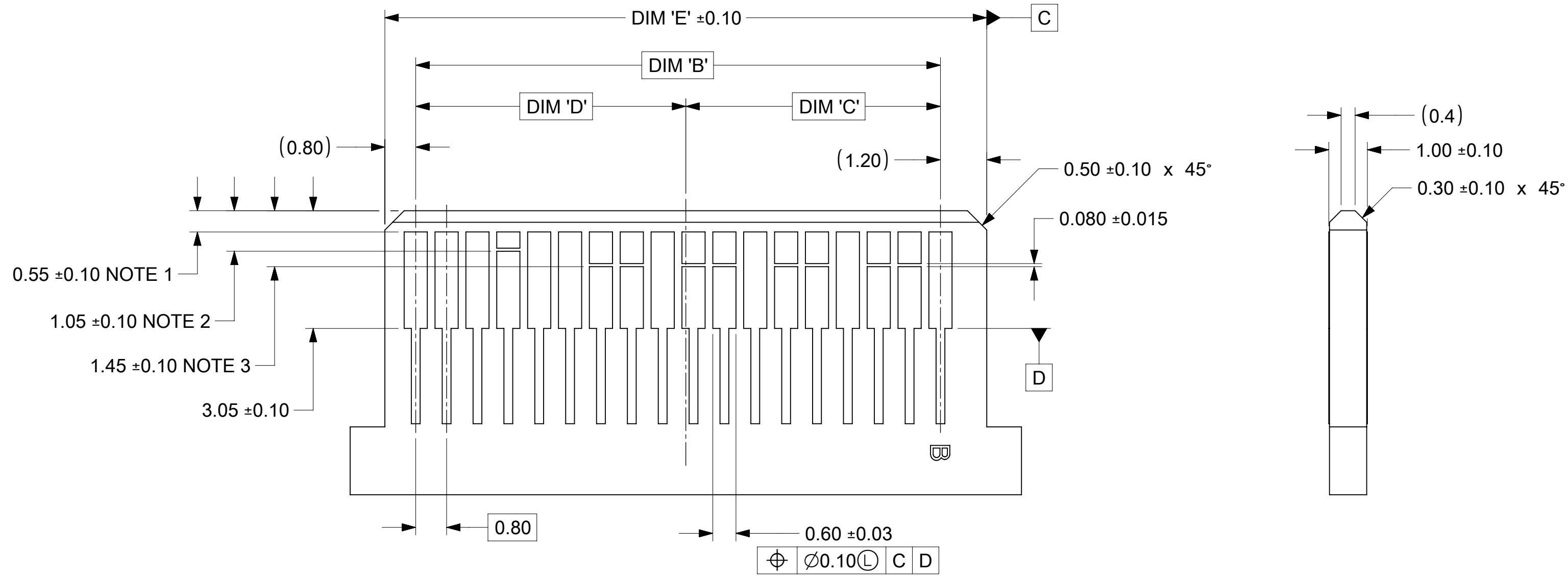


# RIGHT ANGLE CONNECTOR WITH SHELL PCB FOOT PRINT DESCRIPTIONS



| THIS DRAWING CONTAINS INFORMATION THAT IS PROPRIETARY TO MOLEX ELECTRONIC TECHNOLOGIES, LLC AND SHOULD NOT BE USED WITHOUT WRITTEN PERMISSION |     |  |       |  |  |  |   |  |  |   |
|---|-----|--|-------|--|--|--|---|--|--|---|
| SYMBOLS   |     | DIMENSION UNITS                                      | SCALE | CURRENT REV DESC: OBSOLETE PART NO   |  |  |   |  |  |   |
|   | = 0 | mm   | 5:1   | EC NO: 696749<br>DRWN: MUM 2019/03/27<br>CHK'D: GB 2019/11/06<br>APPR: JKACHLIC 2022/02/23 |  |  |   |  |  |   |
|   | = 0 | GENERAL TOLERANCES (UNLESS SPECIFIED)                |       |  |  |  | INITIAL REVISION:<br>DRWN: KLANG 2005/04/15<br>APPR: RNELSON 2005/04/18 |  |  | PRODUCT CUSTOMER DRAWING<br>DOCUMENT NUMBER: SD-75783-001<br>DOC TYPE: PSD DOC PART: 001 REVISION: F1 |
|   | = 0 | ANGULAR TOL ± 0.5°                                   |       | DRAFT WHERE APPLICABLE MUST REMAIN WITHIN DIMENSIONS                                       |  |  |   |  |  |   |
|   | = 0 | 4 PLACES ±   |       |  |  |  | THIRD ANGLE PROJECTION<br>  |  |  | SERIES: 75783   |
|   | = 0 | 3 PLACES ±   |       | DRAWING: C-SIZE  |  |  |   |  |  |   |
|   | = 0 | 2 PLACES ± 0.13                                      |       |  |  |  | SHEET NUMBER: 3 OF 13   |  |  | SHEET NUMBER: 3 OF 13   |
|   | = 0 | 1 PLACE ± 0.25                                       |       | SHEET NUMBER: 3 OF 13  |  |  |   |  |  |   |
|   | = 0 | 0 PLACES ±   |       |  |  |  | SHEET NUMBER: 3 OF 13   |  |  | SHEET NUMBER: 3 OF 13   |
|   | = 0 | DRAFT WHERE APPLICABLE MUST REMAIN WITHIN DIMENSIONS |       | SHEET NUMBER: 3 OF 13  |  |  |   |  |  |   |
|   | = 0 |  |       |  |  |  | SHEET NUMBER: 3 OF 13   |  |  | SHEET NUMBER: 3 OF 13   |

# MATING INTERFACE (FOR REFERENCE ONLY)



36 CIRCUIT SHOWN

- NOTES:
- PAD CONFIGURATION FOR FIRST MATE.
  - PAD CONFIGURATION FOR SECOND MATE.
  - PAD CONFIGURATION FOR THIRD MATE. (HIGH SPEED SIGNALS)
  - FOR PIN ASSIGNMENTS AND MATING SEQUENCE (1ST, 2ND, 3RD), SEE APPLICABLE SPECIFICATION.
  - MINIMUM STEP REQUIRED IF PCB MADE WIDER THAN TONGUE.

| CIRCUIT SIZE | DIM 'A' | DIM 'B' | DIM 'C' | DIM 'D' | DIM 'E' |
|--------------|---------|---------|---------|---------|---------|
| 26           | 13      | 9.60    | 4.60    | 5.00    | 11.60   |
| 36           | 18      | 13.60   | 6.60    | 7.00    | 15.60   |
| 50           | 25      | 19.20   | 9.40    | 9.80    | 21.20   |
| 68           | 34      | 26.40   | 13.00   | 13.40   | 28.40   |

|         |   |                |                                    |                 |
|---------|---|----------------|------------------------------------|-----------------|
| SYMBOLS | THIS DRAWING CONTAINS INFORMATION THAT IS PROPRIETARY TO MOLEX ELECTRONIC TECHNOLOGIES, LLC AND SHOULD NOT BE USED WITHOUT WRITTEN PERMISSION |                | CURRENT REV DESC: OBSOLETE PART NO |                 |
|         | DIMENSION UNITS   | SCALE          |                                    |                 |
| ▽ = 0   | mm  | 10:1           |                                    |                 |
| ▽ = 0   | GENERAL TOLERANCES (UNLESS SPECIFIED)   |                |                                    |                 |
| ▽ = 0   | ANGULAR TOL ± 0.5°  |                |                                    |                 |
| ▽ = 0   | 4 PLACES  | ±              | EC NO: 696749                      | 2019/03/27      |
| ▽ = 0   | 3 PLACES  | ±              | DRWN: MUM                          | 2019/11/06      |
| ▽ = 0   | 2 PLACES  | ± 0.13         | CHK'D: GB                          | 2022/02/23      |
| ▽ = 0   | 1 PLACE   | ± 0.25         | APPR: JKACHLIC                     |                 |
| ⊠ = 0   | 0 PLACES  | ±              | INITIAL REVISION:                  |                 |
| ■ = 0   | DRAFT WHERE APPLICABLE MUST REMAIN WITHIN DIMENSIONS  |                | DRWN: KLANG                        | 2005/04/15      |
| ▽ = 0   | THIRD ANGLE PROJECTION  |                | APPR: RNELSON                      | 2005/04/18      |
|         |   | DRAWING        | SERIES                             | MATERIAL NUMBER |
|         |   | C-SIZE         | 75783                              | SEE TABLE       |
|         |   | CUSTOMER       | SHEET NUMBER                       |                 |
|         |   | GENERAL MARKET | 4 OF 13                            |                 |

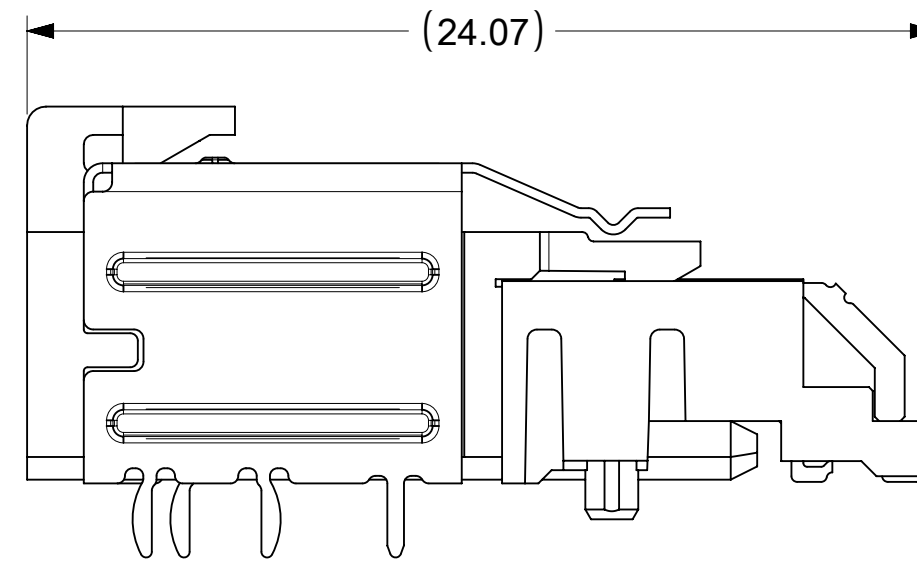
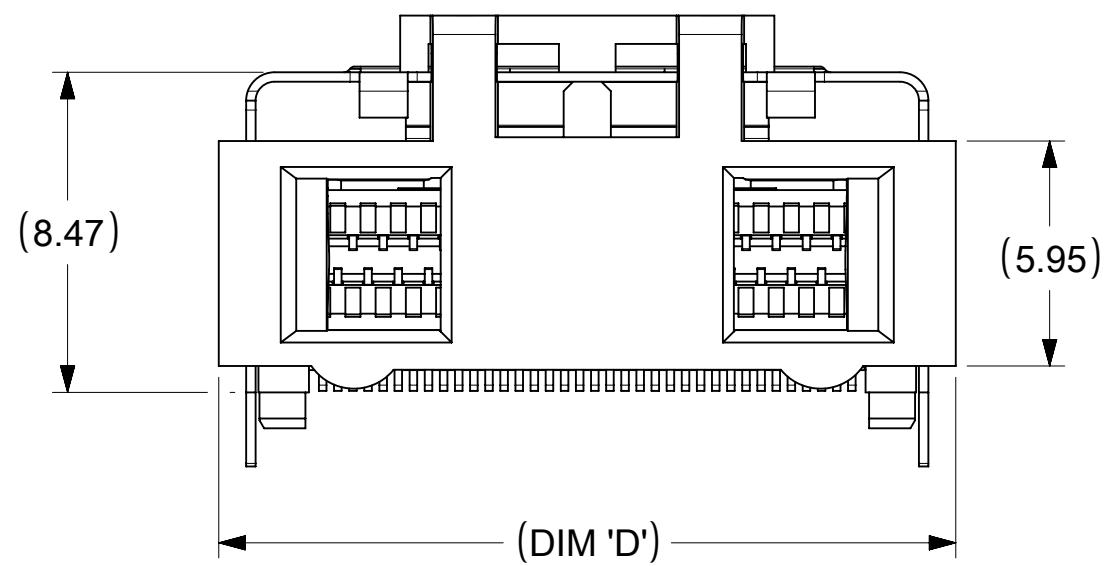
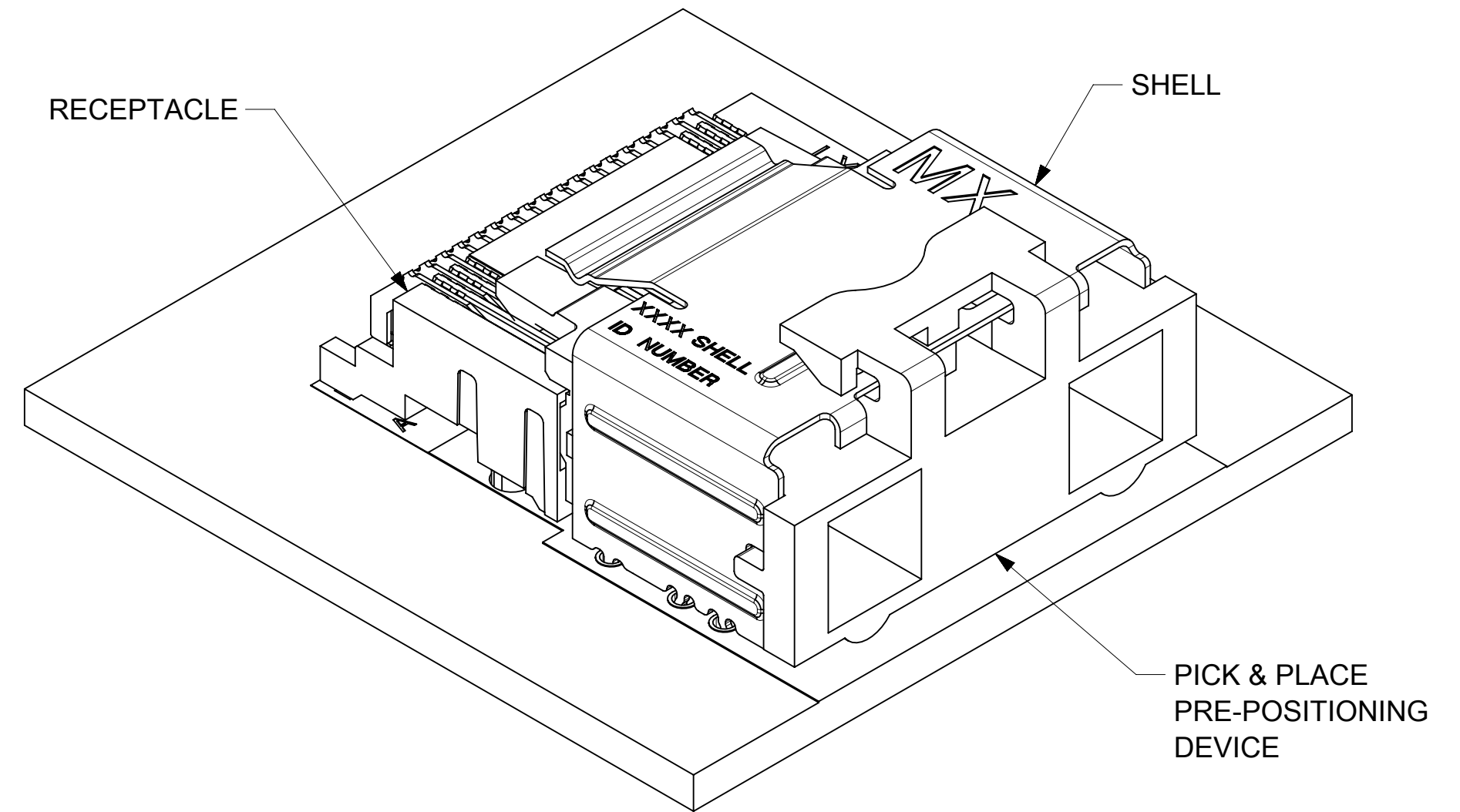
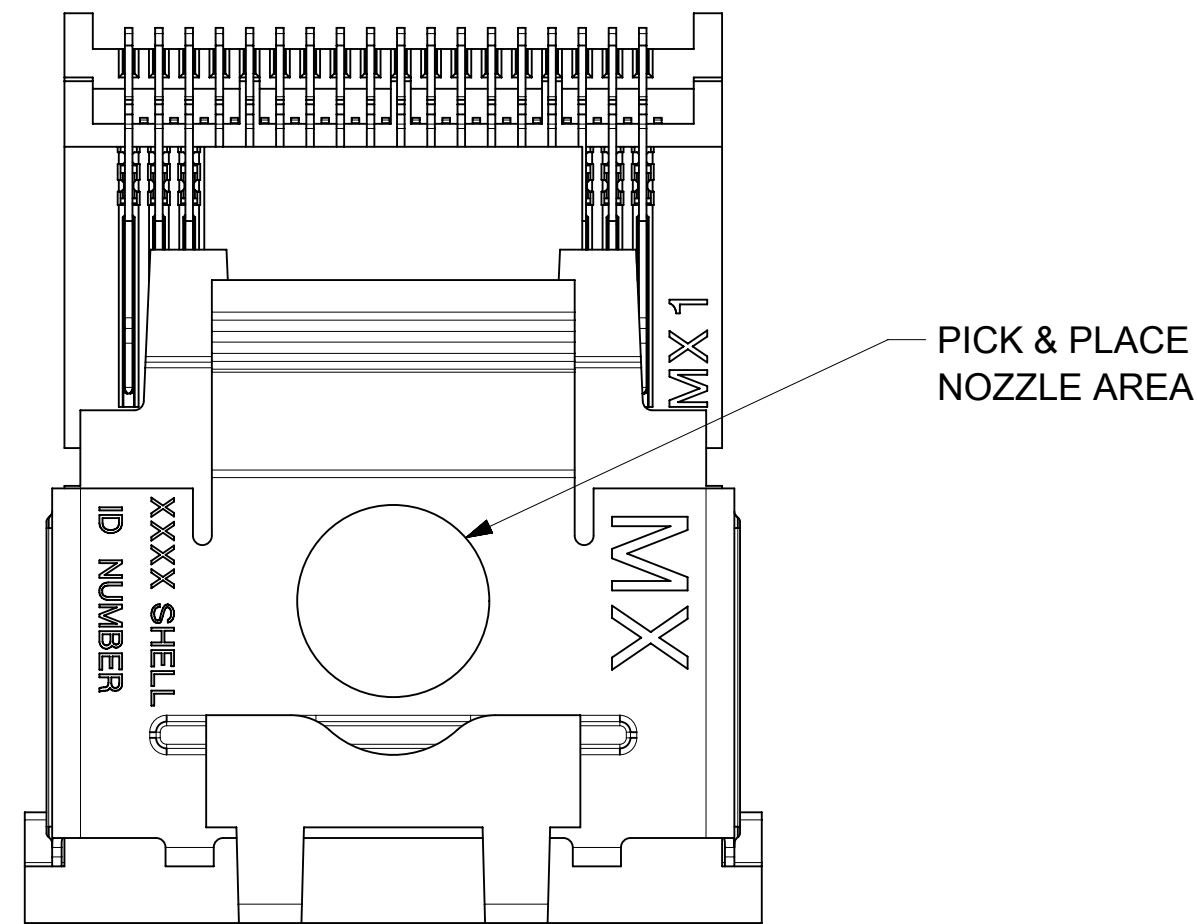
**molex**

I-PASS R/A CONNECTOR  
INTERNAL ASSY W/SHELL 0.8MM PITCH I/O

PRODUCT CUSTOMER DRAWING

|                 |          |          |          |
|-----------------|----------|----------|----------|
| DOCUMENT NUMBER | DOC TYPE | DOC PART | REVISION |
| SD-75783-001    | PSD      | 001      | F1       |

# ASSEMBLY WITH PRE-POSITION DEVICE



36 CIRCUIT RETENTION-FIT SHELL OPTION SHOWN

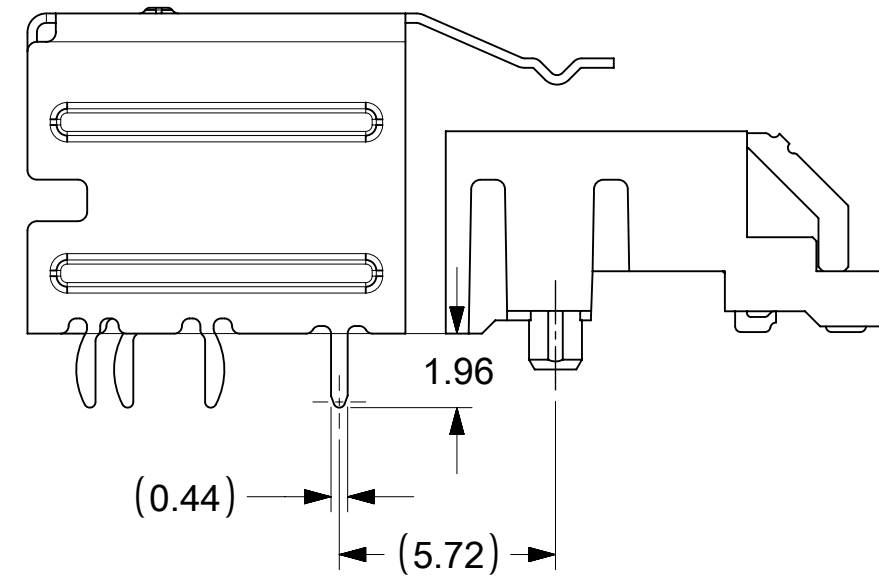
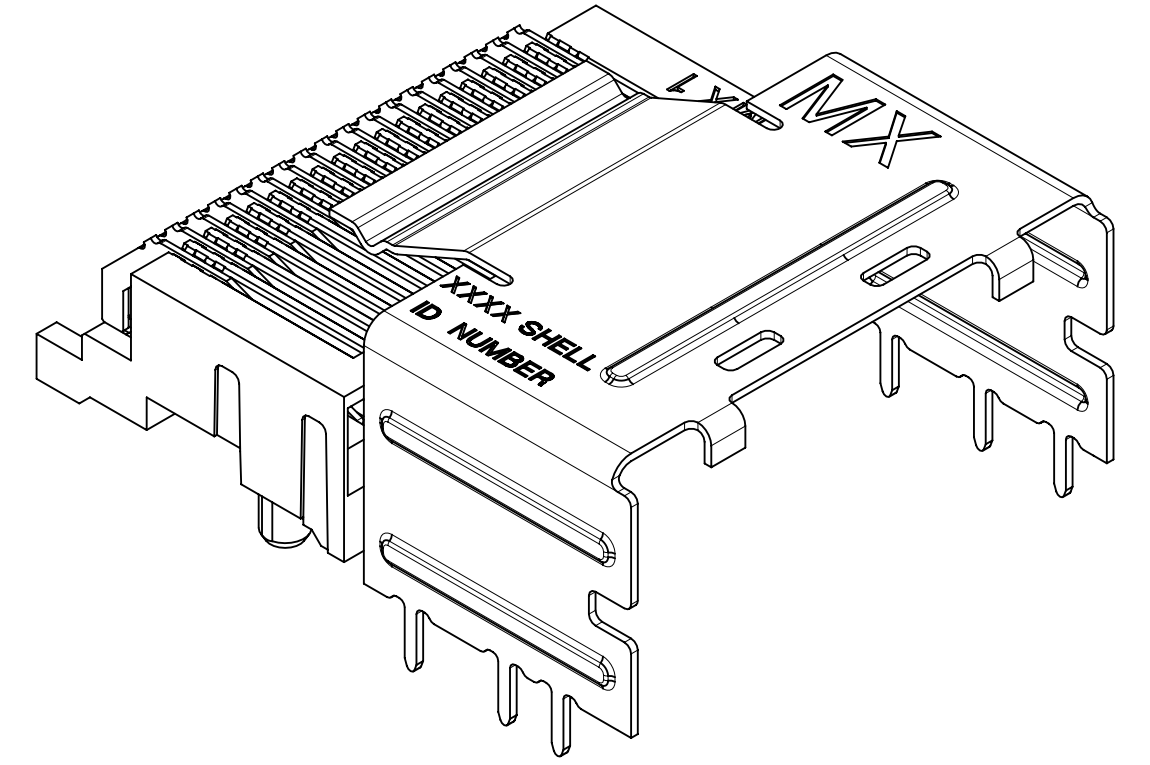
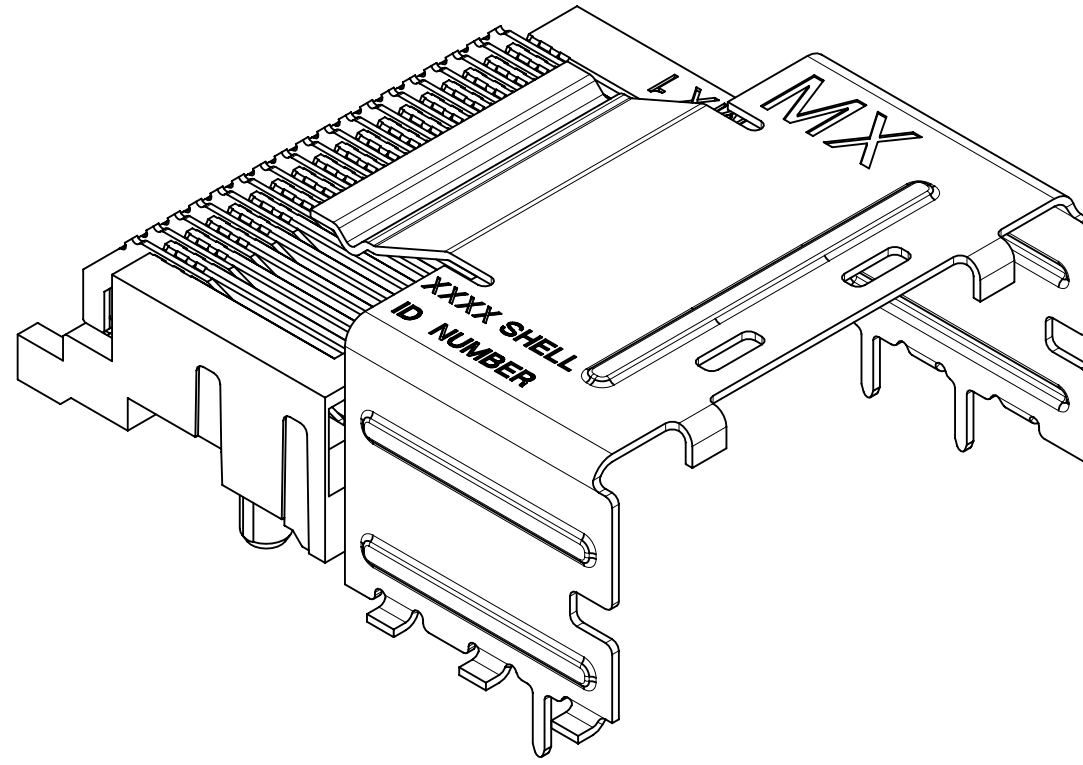
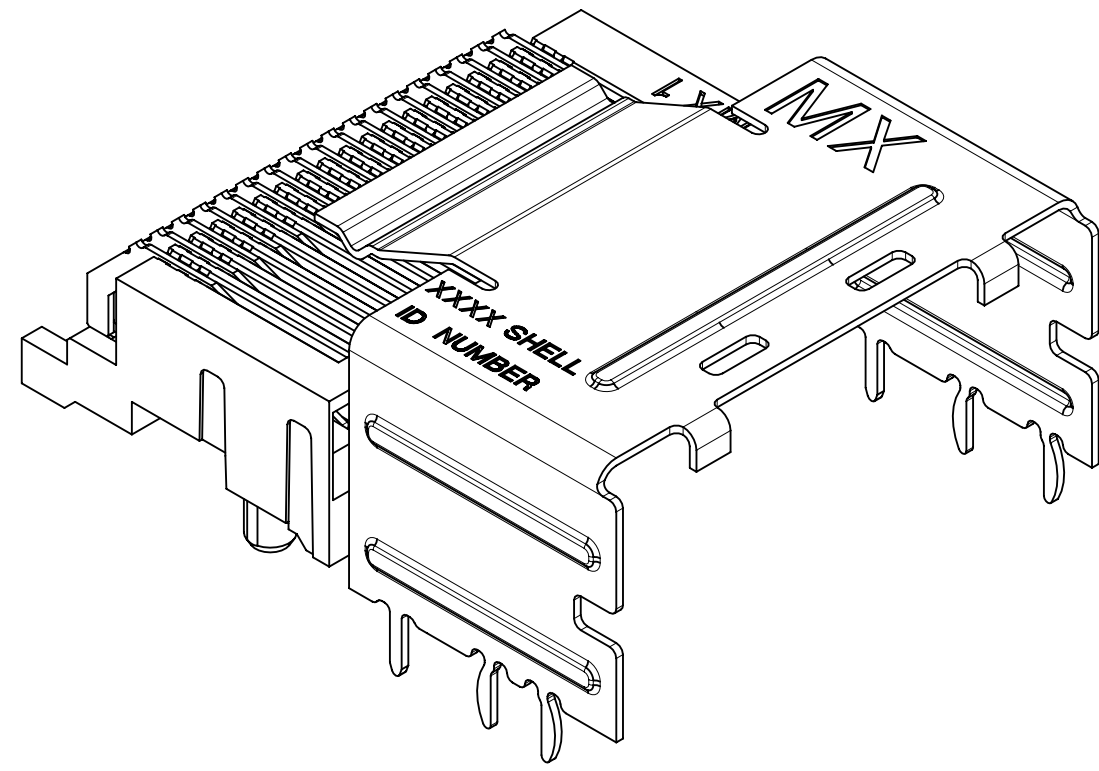
**NOTES:**

1. PICK AND PLACE AREA DEFINED IN APPLICATION SPECIFICATION, AS-75783-001
2. PACKAGING CONSISTS OF CONNECTOR AND SHELL WITH A PRE-POSITIONING PICK AND PLACE DEVICE THAT ARE PACKAGED IN "TAPE AND REEL" FOR ROBOTIC PICK AND PLACE.

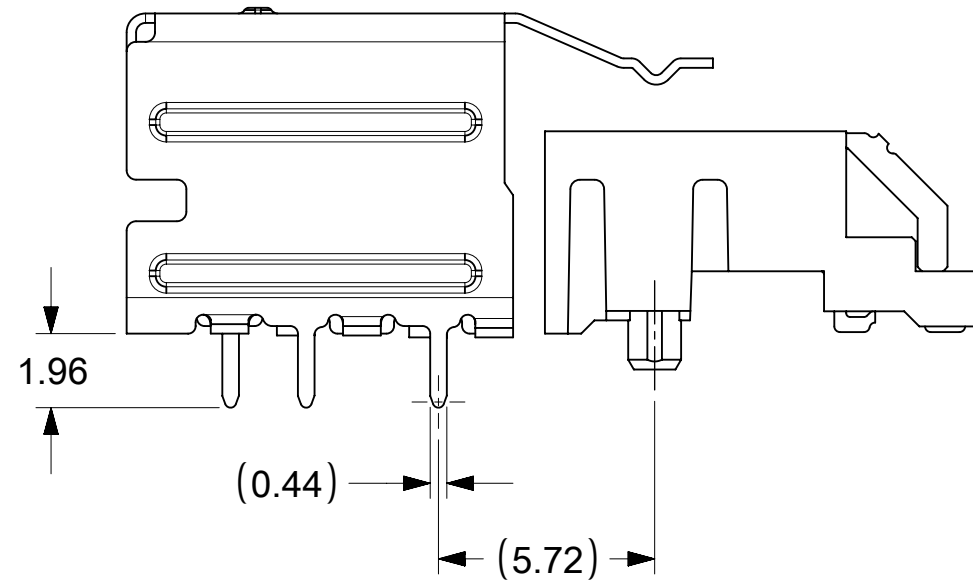
| CIRCUIT SIZE | DIM 'D' |
|--------------|---------|
| 26           | 15.50   |
| 36           | 19.50   |
| 50           | 25.10   |
| 68           | 32.30   |

|   |  |  |  |                |  |   |  |                            |  |
|---|--|--|--|----------------|--|---|--|----------------------------|--|
| THIS DRAWING CONTAINS INFORMATION THAT IS PROPRIETARY TO MOLEX ELECTRONIC TECHNOLOGIES, LLC AND SHOULD NOT BE USED WITHOUT WRITTEN PERMISSION |  |  |  |                |  |   |  |                            |  |
| SYMBOLS   |  | DIMENSION UNITS                                      |  | SCALE          |  | CURRENT REV DESC: OBSOLETE PART NO  |  |                            |  |
| ▽ = 0   |  | mm   |  | 5:1            |  | <b>molex</b><br>I-PASS R/A CONNECTOR<br>INTERNAL ASSY W/SHELL 0.8MM PITCH I/O |  |                            |  |
| ▽ = 0   |  | GENERAL TOLERANCES (UNLESS SPECIFIED)                |  |                |  |   |  |                            |  |
| ▽ = 0   |  | ANGULAR TOL ± 0.5°                                   |  |                |  | EC NO: 696749   |  |                            |  |
| ▽ = 0   |  | 4 PLACES ±   |  |                |  | DRWN: MUM 2019/03/27  |  |                            |  |
| ▽ = 0   |  | 3 PLACES ±   |  |                |  | CHK'D: GB 2019/11/06  |  |                            |  |
| ▽ = 0   |  | 2 PLACES ± 0.13                                      |  |                |  | APPR: JKACHLIC 2022/02/23   |  |                            |  |
| ▽ = 0   |  | 1 PLACE ± 0.25                                       |  |                |  | INITIAL REVISION:   |  |                            |  |
| ☒ = 0   |  | 0 PLACES ±   |  |                |  | DRWN: KLANG 2005/04/15  |  |                            |  |
| ■ = 0   |  | DRAFT WHERE APPLICABLE MUST REMAIN WITHIN DIMENSIONS |  |                |  | APPR: RNELSON 2005/04/18  |  |                            |  |
| ▽ = 0   |  | THIRD ANGLE PROJECTION                               |  | DRAWING        |  | SERIES  |  | DOCUMENT NUMBER            |  |
|   |  | C-SIZE   |  | 75783          |  | SD-75783-001  |  | DOC TYPE DOC PART REVISION |  |
|   |  | SEE TABLE  |  | GENERAL MARKET |  | PSD 001   |  | F1                         |  |
|   |  |  |  |                |  | MATERIAL NUMBER   |  | SHEET NUMBER               |  |
|   |  |  |  |                |  | 5 OF 13   |  |                            |  |

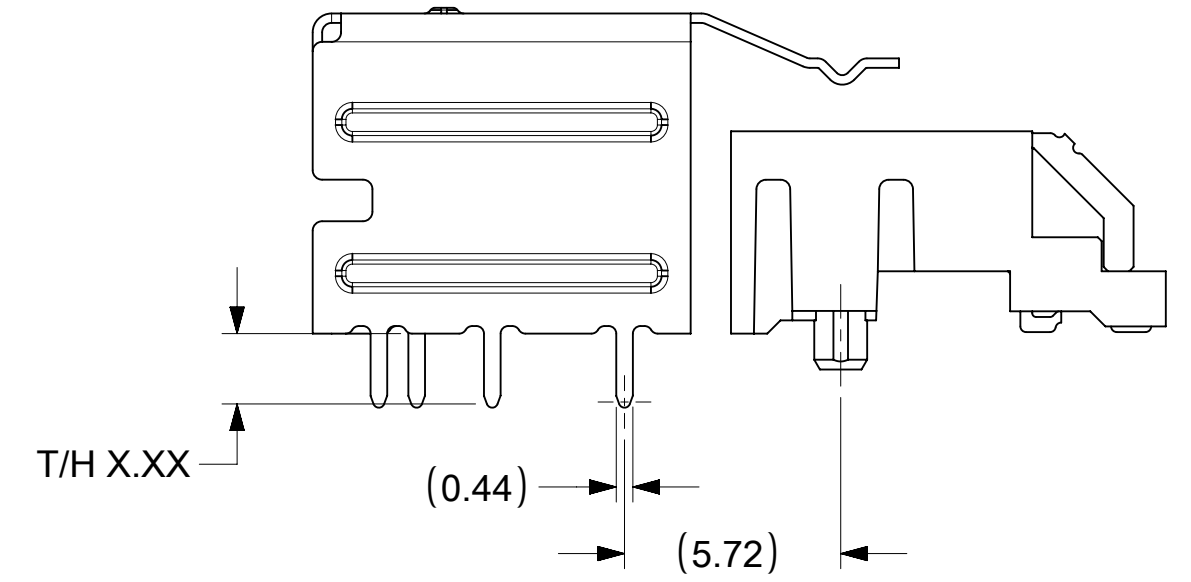
# SHELL PCB INTERFACE



RETENTION-FIT  
SHELL OPTION



SMT SHELL OPTION



THRU-HOLE SHELL OPTION  
SEE TABLE FOR LENGTH  
(X.XX DENOTES TAIL LENGTH)

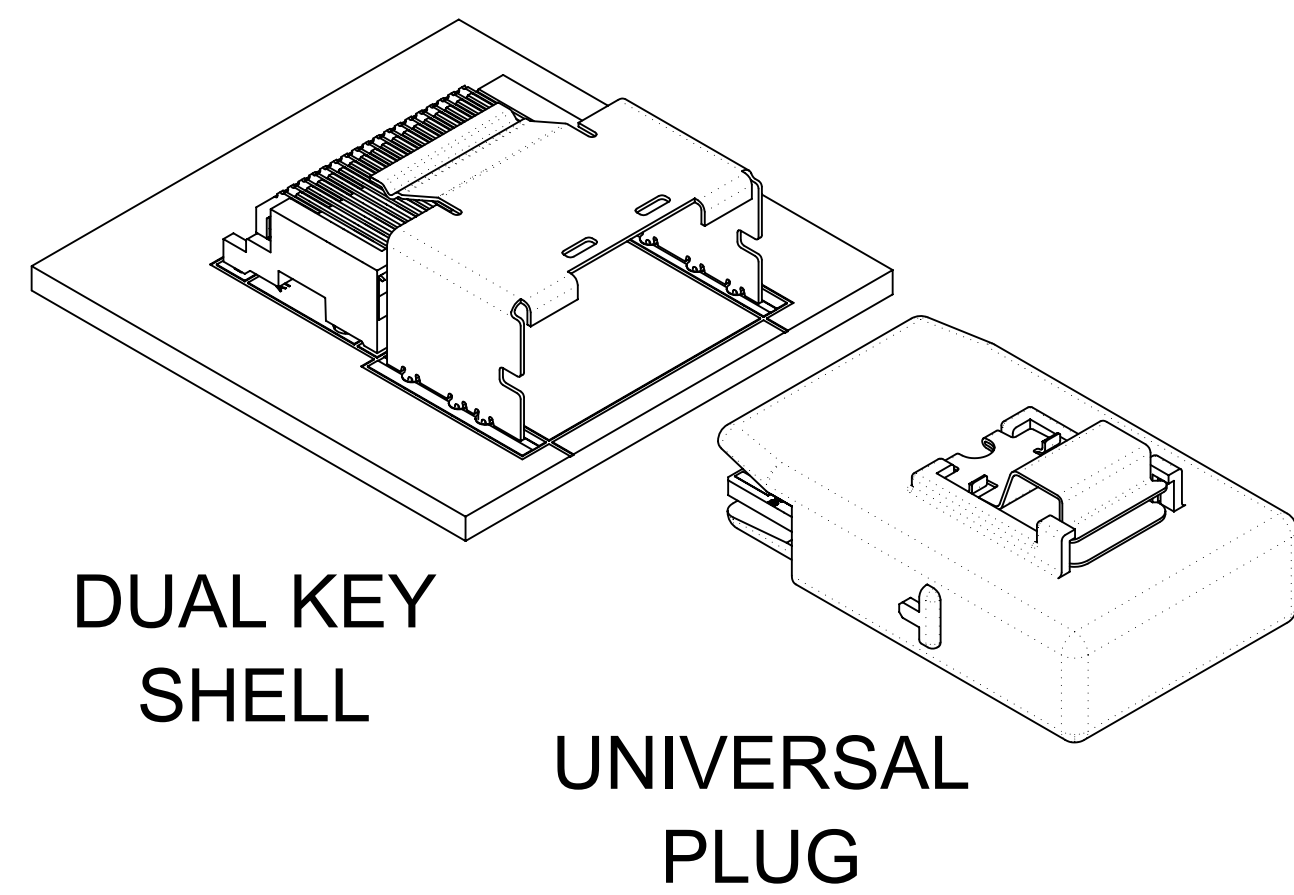
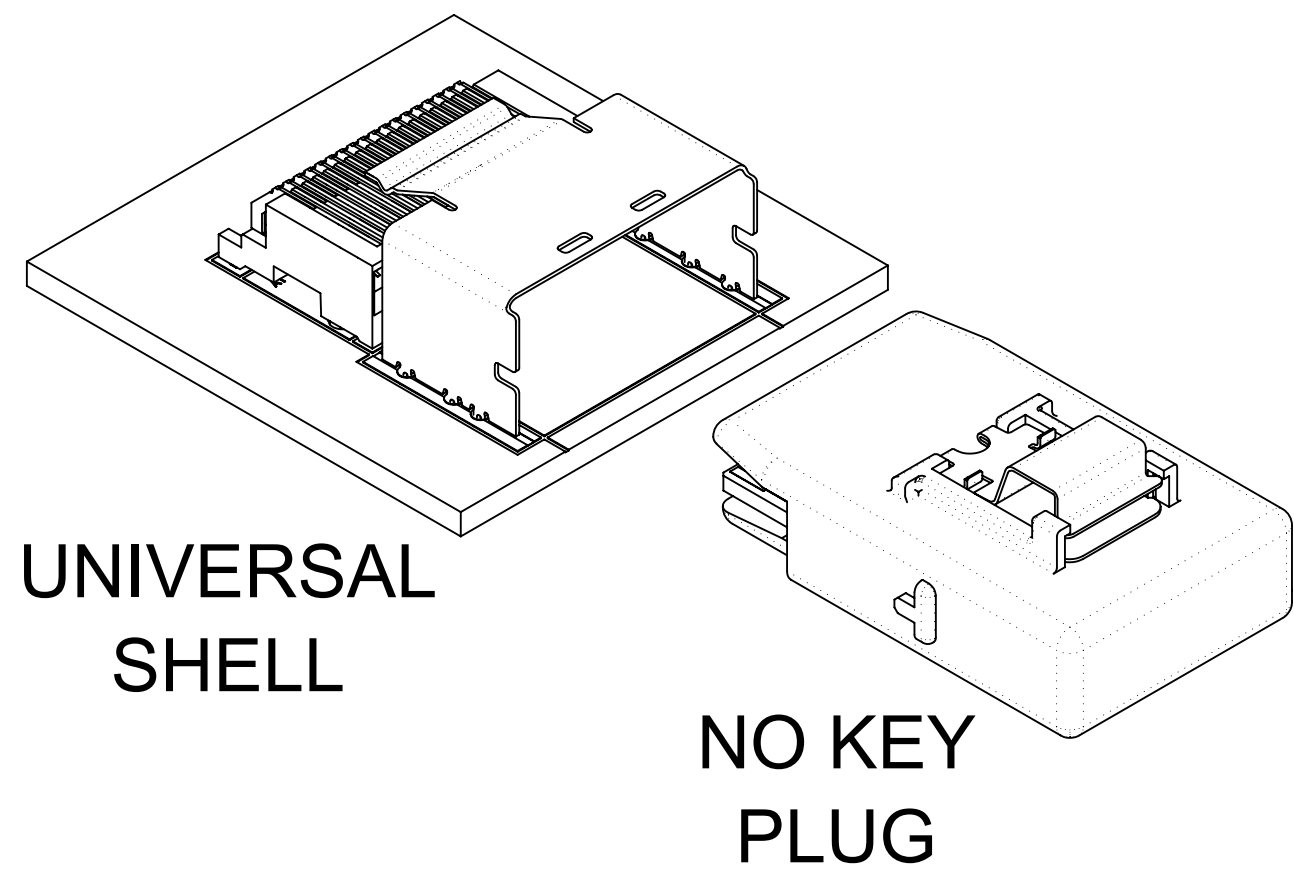
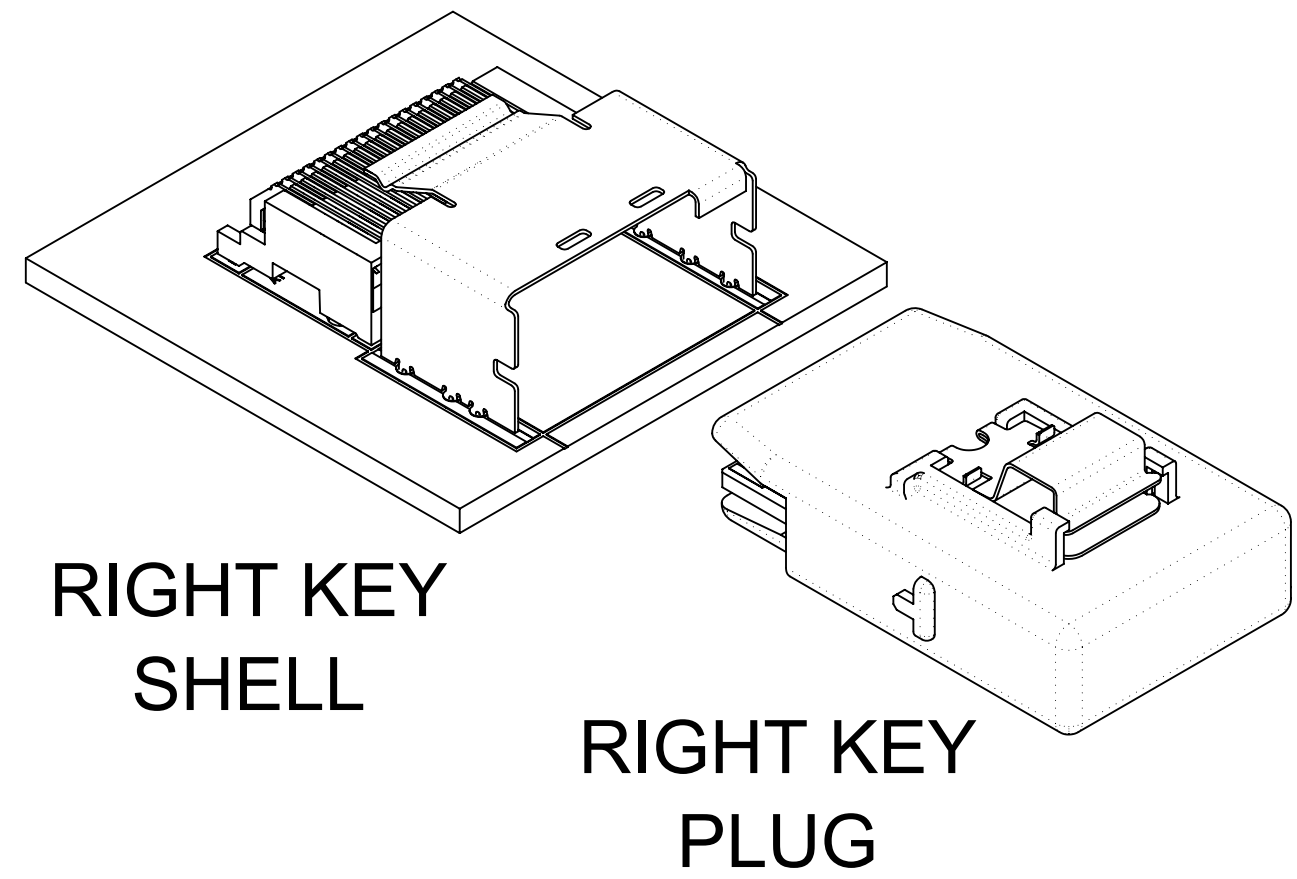
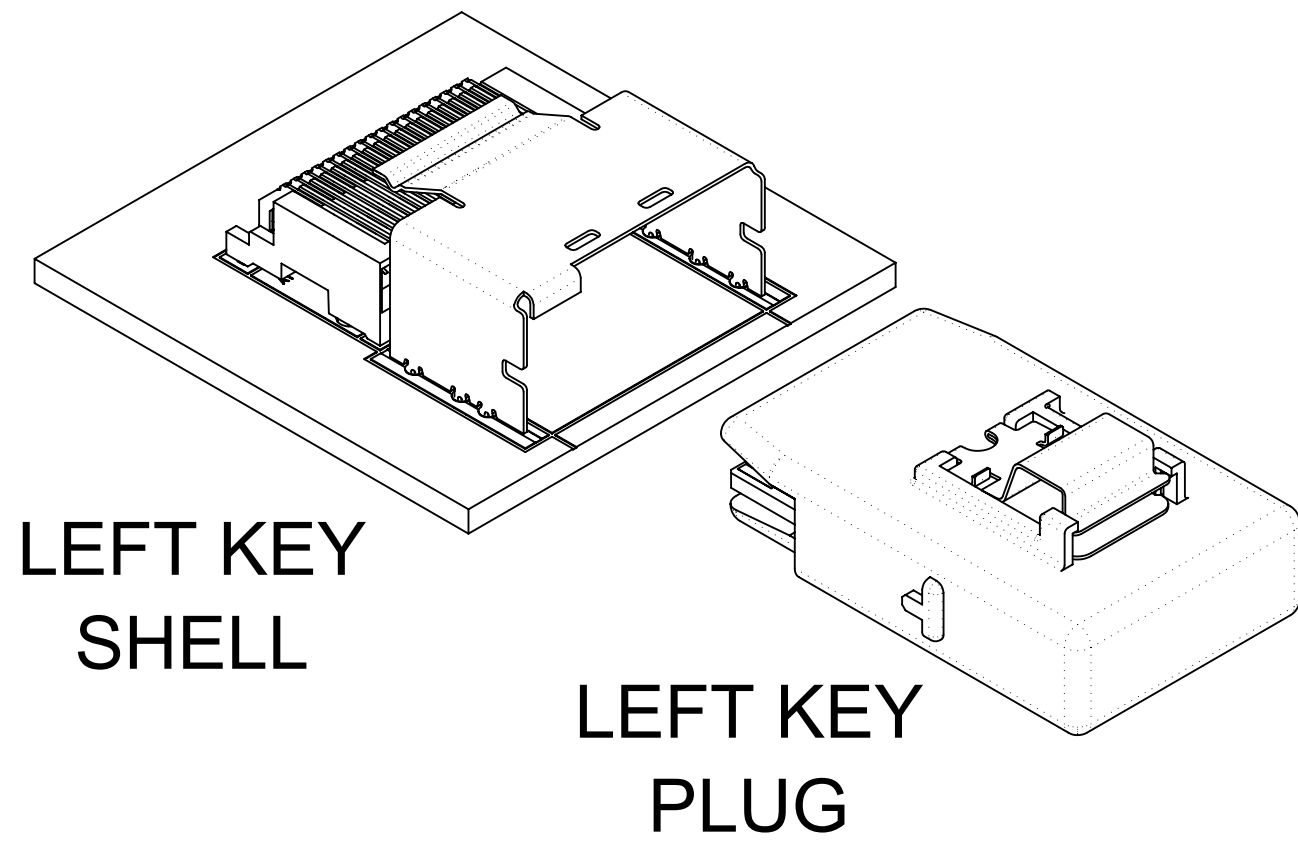
RECOMMENDED PCB THICKNESS  
FOR SPECIFIED TAIL LENGTH

| TAIL LENGTH | PCB THICKNESS |
|-------------|---------------|
| 1.96        | 1.57(.062)    |
| 2.79        | 2.36(.093)    |
| 3.18        | 2.79(.110)    |
| 3.56        | 3.18(.125)    |

NOTE:  
RETENTION FIT DENOTES TAILS THAT OFFER RETENTION TO PCB DURING REFLOW PROCESS  
SMT DENOTES SURFACE MOUNT TERMINATION  
T/H X.XX DENOTES THRU-HOLE TAIL OF LENGTH X.XX

|                 |   |                |   |
|-----------------|---|----------------|---|
| SYMBOLS         | THIS DRAWING CONTAINS INFORMATION THAT IS PROPRIETARY TO MOLEX ELECTRONIC TECHNOLOGIES, LLC AND SHOULD NOT BE USED WITHOUT WRITTEN PERMISSION |                |   |
|                 | DIMENSION UNITS   | SCALE          | CURRENT REV DESC: OBSOLETE PART NO  |
| ▽ = 0           | mm  | 5:1            | <b>molex</b><br>I-PASS R/A CONNECTOR<br>INTERNAL ASSY W/SHELL 0.8MM PITCH I/O |
| ▽ = 0           | GENERAL TOLERANCES (UNLESS SPECIFIED)   |                |   |
| ▽ = 0           | ANGULAR TOL ± 0.5°  |                | EC NO: 696749   |
| ▽ = 0           | 4 PLACES ±  |                | DRWN: MUM 2019/03/27  |
| ▽ = 0           | 3 PLACES ±  |                | CHK'D: GB 2019/11/06  |
| ▽ = 0           | 2 PLACES ± 0.13   |                | APPR: JKACHLIC 2022/02/23   |
| ▽ = 0           | 1 PLACE ± 0.25  |                | INITIAL REVISION:   |
| ⊠ = 0           | 0 PLACES ±  |                | DRWN: KLANG 2005/04/15  |
| ■ = 0           | DRAFT WHERE APPLICABLE MUST REMAIN WITHIN DIMENSIONS  |                | APPR: RNELSON 2005/04/18  |
| ▽ = 0           | THIRD ANGLE PROJECTION  | DRAWING        | SERIES  |
|                 |   | C-SIZE         | 75783   |
| DOCUMENT NUMBER |   | DOC TYPE       | DOC PART  |
| SD-75783-001    |   | PSD            | 001   |
| MATERIAL NUMBER |   | CUSTOMER       | SHEET NUMBER  |
| SEE TABLE       |   | GENERAL MARKET | 6 OF 13   |

# KEYING OPTIONS



|                | UNIVERSAL SHELL | LEFT KEY SHELL | RIGHT KEY SHELL | DUAL KEY SHELL |
|----------------|-----------------|----------------|-----------------|----------------|
| NO KEY PLUG    | YES             | NO             | NO              | NO             |
| LEFT KEY PLUG  | YES             | YES            | NO              | NO             |
| RIGHT KEY PLUG | YES             | NO             | YES             | NO             |
| UNIVERSAL PLUG | YES             | YES            | YES             | YES            |

|   |  |  |  |         |  |   |  |                   |  |
|---|--|--|--|---------|--|---|--|-------------------|--|
| THIS DRAWING CONTAINS INFORMATION THAT IS PROPRIETARY TO MOLEX ELECTRONIC TECHNOLOGIES, LLC AND SHOULD NOT BE USED WITHOUT WRITTEN PERMISSION |  |  |  |         |  |   |  |                   |  |
| SYMBOLS   |  | DIMENSION UNITS                                      |  | SCALE   |  | CURRENT REV DESC: OBSOLETE PART NO  |  |                   |  |
| ▽ = 0   |  | mm   |  | 1:1     |  | <b>molex</b><br>I-PASS R/A CONNECTOR<br>INTERNAL ASSY W/SHELL 0.8MM PITCH I/O<br>PRODUCT CUSTOMER DRAWING<br>DOCUMENT NUMBER: <b>SD-75783-001</b>   DOC TYPE: PSD   DOC PART: 001   REVISION: F1<br>MATERIAL NUMBER: SEE TABLE   CUSTOMER: GENERAL MARKET   SHEET NUMBER: 7 OF 13 |  |                   |  |
| ▽ = 0   |  | GENERAL TOLERANCES (UNLESS SPECIFIED)                |  |         |  |   |  |                   |  |
| ▽ = 0   |  | ANGULAR TOL ± 0.5°                                   |  |         |  |   |  |                   |  |
| ▽ = 0   |  | 4 PLACES ±   |  |         |  |   |  |                   |  |
| ▽ = 0   |  | 3 PLACES ±   |  |         |  | EC NO: 696749   |  | 2019/03/27        |  |
| ▽ = 0   |  | 2 PLACES ± 0.13                                      |  |         |  | DRWN: MUM   |  | 2019/11/06        |  |
| ▽ = 0   |  | 1 PLACE ± 0.25                                       |  |         |  | CHK'D: GB   |  | 2022/02/23        |  |
| ☒ = 0   |  | 0 PLACES ±   |  |         |  | APPR: JKACHLIC  |  | INITIAL REVISION: |  |
| ■ = 0   |  | DRAFT WHERE APPLICABLE MUST REMAIN WITHIN DIMENSIONS |  |         |  | DRWN: KLANG   |  | 2005/04/15        |  |
| ▽ = 0   |  | THIRD ANGLE PROJECTION                               |  | DRAWING |  | SERIES  |  | APPR: RNELSON     |  |
|   |  | C-SIZE   |  | 75783   |  |   |  |                   |  |

# 26 CIRCUIT ITEM NUMBERS

| CIRCUIT SIZE | ITEM NUMBER | PLATING OPTION | SHELL PCB OPTION | SHELL KEY OPTION |
|--------------|-------------|----------------|------------------|------------------|
| 26           | 75783-0007  | OPTION 1       | RETENTION        | LEFT             |
| 26           | 75783-0008  | OPTION 1       | RETENTION        | RIGHT            |
| 26           | 75783-0009  | OPTION 1       | RETENTION        | DUAL             |
| 26           | 75783-0010  | OPTION 1       | SMT              | LEFT             |
| 26           | 75783-0011  | OPTION 1       | SMT              | RIGHT            |
| 26           | 75783-0012  | OPTION 1       | SMT              | DUAL             |
| 26           | 75783-0019  | OPTION 2       | RETENTION        | LEFT             |
| 26           | 75783-0020  | OPTION 2       | RETENTION        | RIGHT            |
| 26           | 75783-0021  | OPTION 2       | RETENTION        | DUAL             |
| 26           | 75783-0022  | OPTION 2       | SMT              | LEFT             |
| 26           | 75783-0023  | OPTION 2       | SMT              | RIGHT            |
| 26           | 75783-0024  | OPTION 2       | SMT              | DUAL             |
| 26           | 75783-0025  | OPTION 1       | RETENTION        | UNIVERSAL        |
| 26           | 75783-0026  | OPTION 1       | SMT              | UNIVERSAL        |
| 26           | 75783-0027  | OPTION 2       | RETENTION        | UNIVERSAL        |
| 26           | 75783-0028  | OPTION 2       | SMT              | UNIVERSAL        |
| 26           | 75783-0029  | OPTION 1       | T/H 1.96         | LEFT             |
| 26           | 75783-0030  | OPTION 1       | T/H 1.96         | RIGHT            |
| 26           | 75783-0031  | OPTION 1       | T/H 1.96         | DUAL             |
| 26           | 75783-0032  | OPTION 1       | T/H 1.96         | UNIVERSAL        |
| 26           | 75783-0033  | OPTION 2       | T/H 1.96         | LEFT             |
| 26           | 75783-0034  | OPTION 2       | T/H 1.96         | RIGHT            |
| 26           | 75783-0035  | OPTION 2       | T/H 1.96         | DUAL             |
| 26           | 75783-0036  | OPTION 2       | T/H 1.96         | UNIVERSAL        |

| CIRCUIT SIZE | ITEM NUMBER | PLATING OPTION | SHELL PCB OPTION | SHELL KEY OPTION |
|--------------|-------------|----------------|------------------|------------------|
| 26           | 75783-0037  | OPTION 1       | T/H 2.79         | LEFT             |
| 26           | 75783-0038  | OPTION 1       | T/H 2.79         | RIGHT            |
| 26           | 75783-0039  | OPTION 1       | T/H 2.79         | DUAL             |
| 26           | 75783-0040  | OPTION 1       | T/H 2.79         | UNIVERSAL        |
| 26           | 75783-0041  | OPTION 2       | T/H 2.79         | LEFT             |
| 26           | 75783-0042  | OPTION 2       | T/H 2.79         | RIGHT            |
| 26           | 75783-0043  | OPTION 2       | T/H 2.79         | DUAL             |
| 26           | 75783-0044  | OPTION 2       | T/H 2.79         | UNIVERSAL        |
| 26           | 75783-0045  | OPTION 1       | T/H 3.18         | LEFT             |
| 26           | 75783-0046  | OPTION 1       | T/H 3.18         | RIGHT            |
| 26           | 75783-0047  | OPTION 1       | T/H 3.18         | DUAL             |
| 26           | 75783-0048  | OPTION 1       | T/H 3.18         | UNIVERSAL        |
| 26           | 75783-0049  | OPTION 2       | T/H 3.18         | LEFT             |
| 26           | 75783-0050  | OPTION 2       | T/H 3.18         | RIGHT            |
| 26           | 75783-0051  | OPTION 2       | T/H 3.18         | DUAL             |

|   |   |                        |                                    |              |
|---|---|------------------------|------------------------------------|--------------|
| <b>SYMBOLS</b><br>= 0<br>= 0<br>= 0<br>= 0<br>= 0<br>= 0<br>= 0<br>= 0<br>= 0 | THIS DRAWING CONTAINS INFORMATION THAT IS PROPRIETARY TO MOLEX ELECTRONIC TECHNOLOGIES, LLC AND SHOULD NOT BE USED WITHOUT WRITTEN PERMISSION |                        |                                    |              |
|   | DIMENSION UNITS   | SCALE                  | CURRENT REV DESC: OBSOLETE PART NO |              |
|   | mm  | 1:1                    |                                    |              |
|   | GENERAL TOLERANCES (UNLESS SPECIFIED)   |                        | EC NO: 696749                      |              |
|   | ANGULAR TOL ± 0.5°  |                        | DRWN: MUM                          | 2019/03/27   |
|   | 4 PLACES ±  | CHK'D: GB              |                                    | 2019/11/06   |
|   | 3 PLACES ±  | APPR: JKACHLIC         |                                    | 2022/02/23   |
|   | 2 PLACES ± 0.13   | INITIAL REVISION:      |                                    |              |
|   | 1 PLACE ± 0.25  | DRWN: KLANG            | 2005/04/15                         |              |
|   | 0 PLACES ±  | APPR: RNELSON          | 2005/04/18                         |              |
| DRAFT WHERE APPLICABLE MUST REMAIN WITHIN DIMENSIONS                          |   | THIRD ANGLE PROJECTION | DRAWING                            | SERIES       |
|   |   |                        | C-SIZE                             | 75783        |
| DOCUMENT STATUS   |   | DOC TYPE               | DOC PART                           | REVISION     |
| P1  | RELEASE DATE  | PSD                    | 001                                | F1           |
| 2022/02/23  | 04:11:32  | MATERIAL NUMBER        |                                    | SHEET NUMBER |
| SEE TABLE   |   | CUSTOMER               |                                    | 8 OF 13      |
|   |   | GENERAL MARKET         |                                    |              |

**molex**

I-PASS R/A CONNECTOR  
INTERNAL ASSY W/SHELL 0.8MM PITCH I/O

PRODUCT CUSTOMER DRAWING

DOCUMENT NUMBER: SD-75783-001  
DOC TYPE: PSD  
DOC PART: 001  
REVISION: F1

MATERIAL NUMBER: SEE TABLE  
CUSTOMER: GENERAL MARKET  
SHEET NUMBER: 8 OF 13



# 36 CIRCUIT ITEM NUMBERS

| CIRCUIT SIZE | ITEM NUMBER | PLATING OPTION | SHELL PCB OPTION | SHELL KEY OPTION |
|--------------|-------------|----------------|------------------|------------------|
| 36           | 75783-0107  | OPTION 1       | RETENTION        | LEFT             |
| 36           | 75783-0108  | OPTION 1       | RETENTION        | RIGHT            |
| 36           | 75783-0109  | OPTION 1       | RETENTION        | DUAL             |
| 36           | 75783-0110  | OPTION 1       | SMT              | LEFT             |
| 36           | 75783-0111  | OPTION 1       | SMT              | RIGHT            |
| 36           | 75783-0112  | OPTION 1       | SMT              | DUAL             |
| 36           | 75783-0119  | OPTION 2       | RETENTION        | LEFT             |
| 36           | 75783-0120  | OPTION 2       | RETENTION        | RIGHT            |
| 36           | 75783-0121  | OPTION 2       | RETENTION        | DUAL             |
| 36           | 75783-0122  | OPTION 2       | SMT              | LEFT             |
| 36           | 75783-0123  | OPTION 2       | SMT              | RIGHT            |
| 36           | 75783-0124  | OPTION 2       | SMT              | DUAL             |
| 36           | 75783-0125  | OPTION 1       | RETENTION        | UNIVERSAL        |
| 36           | 75783-0126  | OPTION 1       | SMT              | UNIVERSAL        |
| 36           | 75783-0127  | OPTION 2       | RETENTION        | UNIVERSAL        |
| 36           | 75783-0128  | OPTION 2       | SMT              | UNIVERSAL        |
| 36           | 75783-0129  | OPTION 1       | T/H 1.96         | LEFT             |
| 36           | 75783-0130  | OPTION 1       | T/H 1.96         | RIGHT            |
| 36           | 75783-0131  | OPTION 1       | T/H 1.96         | DUAL             |
| 36           | 75783-0132  | OPTION 1       | T/H 1.96         | UNIVERSAL        |
| 36           | 75783-0133  | OPTION 2       | T/H 1.96         | LEFT             |
| 36           | 75783-0134  | OPTION 2       | T/H 1.96         | RIGHT            |
| 36           | 75783-0135  | OPTION 2       | T/H 1.96         | DUAL             |
| 36           | 75783-0136  | OPTION 2       | T/H 1.96         | UNIVERSAL        |
| 36           | 75783-0170  | OPTION 1       | T/H 1.40         | UNIVERSAL        |

| CIRCUIT SIZE | ITEM NUMBER | PLATING OPTION | SHELL PCB OPTION | SHELL KEY OPTION |
|--------------|-------------|----------------|------------------|------------------|
| 36           | 75783-0137  | OPTION 1       | T/H 2.79         | LEFT             |
| 36           | 75783-0138  | OPTION 1       | T/H 2.79         | RIGHT            |
| 36           | 75783-0139  | OPTION 1       | T/H 2.79         | DUAL             |
| 36           | 75783-0140  | OPTION 1       | T/H 2.79         | UNIVERSAL        |
| 36           | 75783-0141  | OPTION 2       | T/H 2.79         | LEFT             |
| 36           | 75783-0142  | OPTION 2       | T/H 2.79         | RIGHT            |
| 36           | 75783-0143  | OPTION 2       | T/H 2.79         | DUAL             |
| 36           | 75783-0144  | OPTION 2       | T/H 2.79         | UNIVERSAL        |
| 36           | 75783-0147  | OPTION 1       | T/H 3.18         | DUAL             |
| 36           | 75783-0148  | OPTION 1       | T/H 3.18         | UNIVERSAL        |
| 36           | 75783-0149  | OPTION 2       | T/H 3.18         | LEFT             |
| 36           | 75783-0150  | OPTION 2       | T/H 3.18         | RIGHT            |
| 36           | 75783-0151  | OPTION 2       | T/H 3.18         | DUAL             |
| 36           | 75783-0152  | OPTION 2       | T/H 3.18         | UNIVERSAL        |
| 36           | 75783-0153  | OPTION 1       | T/H 3.56         | LEFT             |
| 36           | 75783-0154  | OPTION 1       | T/H 3.56         | RIGHT            |
| 36           | 75783-0155  | OPTION 1       | T/H 3.56         | DUAL             |
| 36           | 75783-0156  | OPTION 1       | T/H 3.56         | UNIVERSAL        |
| 36           | 75783-0157  | OPTION 2       | T/H 3.56         | LEFT             |
| 36           | 75783-0158  | OPTION 2       | T/H 3.56         | RIGHT            |
| 36           | 75783-0159  | OPTION 2       | T/H 3.56         | DUAL             |
| 36           | 75783-0160  | OPTION 2       | T/H 3.56         | UNIVERSAL        |

|   |   |  |                                      |  |   |  |                                    |  |                        |  |                            |  |  |  |   |
|---|---|--|--------------------------------------|--|---|--|------------------------------------|--|------------------------|--|----------------------------|--|--|--|---|
| <b>SYMBOLS</b><br>= 0<br>= 0<br>= 0<br>= 0<br>= 0<br>= 0<br>= 0<br>= 0<br>= 0 | THIS DRAWING CONTAINS INFORMATION THAT IS PROPRIETARY TO MOLEX ELECTRONIC TECHNOLOGIES, LLC AND SHOULD NOT BE USED WITHOUT WRITTEN PERMISSION |  | DIMENSION UNITS: <b>mm</b>           |  | SCALE: <b>1:1</b>                                       |  | CURRENT REV DESC: OBSOLETE PART NO |  |                        |  |                            |  |  |  |   |
|   | GENERAL TOLERANCES (UNLESS SPECIFIED)<br>ANGULAR TOL ± 0.5°   |  | 4 PLACES ±                           |  | 3 PLACES ±  |  | 2 PLACES ± 0.13                    |  |                        |  |                            |  | EC NO: 696749<br>DRWN: MUM 2019/03/27<br>CHK'D: GB 2019/11/06<br>APPR: JKACHLIC 2022/02/23 |  | I-PASS R/A CONNECTOR<br>INTERNAL ASSY W/SHELL 0.8MM PITCH I/O |
|   | 1 PLACE ± 0.25  |  | 0 PLACES ±                           |  | DRAFT WHERE APPLICABLE<br>MUST REMAIN WITHIN DIMENSIONS |  | THIRD ANGLE PROJECTION             |  | DRAWING: <b>C-SIZE</b> |  | SERIES: <b>75783</b>       |  | PRODUCT CUSTOMER DRAWING   |  |   |
|   | INITIAL REVISION:<br>DRWN: KLANG 2005/04/15<br>APPR: RNELSON 2005/04/18   |  | DOCUMENT NUMBER: <b>SD-75783-001</b> |  | DOC TYPE: PSD   |  | DOC PART: 001                      |  | REVISION: <b>F1</b>    |  | MATERIAL NUMBER: SEE TABLE |  | CUSTOMER: GENERAL MARKET   |  | SHEET NUMBER: 9 OF 13   |

# 50 CIRCUIT ITEM NUMBERS

| CIRCUIT SIZE | ITEM NUMBER | PLATING OPTION | SHELL PCB OPTION | SHELL KEY OPTION |
|--------------|-------------|----------------|------------------|------------------|
| 50           | 75783-0207  | OPTION 1       | RETENTION        | LEFT             |
| 50           | 75783-0208  | OPTION 1       | RETENTION        | RIGHT            |
| 50           | 75783-0209  | OPTION 1       | RETENTION        | DUAL             |
| 50           | 75783-0210  | OPTION 1       | SMT              | LEFT             |
| 50           | 75783-0211  | OPTION 1       | SMT              | RIGHT            |
| 50           | 75783-0212  | OPTION 1       | SMT              | DUAL             |
| 50           | 75783-0219  | OPTION 2       | RETENTION        | LEFT             |
| 50           | 75783-0220  | OPTION 2       | RETENTION        | RIGHT            |
| 50           | 75783-0221  | OPTION 2       | RETENTION        | DUAL             |
| 50           | 75783-0222  | OPTION 2       | SMT              | LEFT             |
| 50           | 75783-0223  | OPTION 2       | SMT              | RIGHT            |
| 50           | 75783-0224  | OPTION 2       | SMT              | DUAL             |
| 50           | 75783-0225  | OPTION 1       | RETENTION        | UNIVERSAL        |
| 50           | 75783-0226  | OPTION 1       | SMT              | UNIVERSAL        |
| 50           | 75783-0227  | OPTION 2       | RETENTION        | UNIVERSAL        |
| 50           | 75783-0228  | OPTION 2       | SMT              | UNIVERSAL        |
| 50           | 75783-0229  | OPTION 1       | T/H 1.96         | LEFT             |
| 50           | 75783-0230  | OPTION 1       | T/H 1.96         | RIGHT            |
| 50           | 75783-0231  | OPTION 1       | T/H 1.96         | DUAL             |
| 50           | 75783-0232  | OPTION 1       | T/H 1.96         | UNIVERSAL        |
| 50           | 75783-0233  | OPTION 2       | T/H 1.96         | LEFT             |
| 50           | 75783-0234  | OPTION 2       | T/H 1.96         | RIGHT            |
| 50           | 75783-0235  | OPTION 2       | T/H 1.96         | DUAL             |
| 50           | 75783-0236  | OPTION 2       | T/H 1.96         | UNIVERSAL        |

| CIRCUIT SIZE | ITEM NUMBER | PLATING OPTION | SHELL PCB OPTION | SHELL KEY OPTION |
|--------------|-------------|----------------|------------------|------------------|
| 50           | 75783-0237  | OPTION 1       | T/H 2.79         | LEFT             |
| 50           | 75783-0238  | OPTION 1       | T/H 2.79         | RIGHT            |
| 50           | 75783-0239  | OPTION 1       | T/H 2.79         | DUAL             |
| 50           | 75783-0240  | OPTION 1       | T/H 2.79         | UNIVERSAL        |
| 50           | 75783-0241  | OPTION 2       | T/H 2.79         | LEFT             |
| 50           | 75783-0242  | OPTION 2       | T/H 2.79         | RIGHT            |
| 50           | 75783-0243  | OPTION 2       | T/H 2.79         | DUAL             |
| 50           | 75783-0244  | OPTION 2       | T/H 2.79         | UNIVERSAL        |
| 50           | 75783-0245  | OPTION 1       | T/H 3.18         | LEFT             |
| 50           | 75783-0246  | OPTION 1       | T/H 3.18         | RIGHT            |
| 50           | 75783-0247  | OPTION 1       | T/H 3.18         | DUAL             |
| 50           | 75783-0248  | OPTION 1       | T/H 3.18         | UNIVERSAL        |
| 50           | 75783-0249  | OPTION 2       | T/H 3.18         | LEFT             |
| 50           | 75783-0250  | OPTION 2       | T/H 3.18         | RIGHT            |
| 50           | 75783-0251  | OPTION 2       | T/H 3.18         | DUAL             |
| 50           | 75783-0252  | OPTION 2       | T/H 3.18         | UNIVERSAL        |

|  |   |                        |                                    |                     |
|--|---|------------------------|------------------------------------|---------------------|
| <b>SYMBOLS</b><br>= 0<br>= 0<br>= 0<br>= 0<br>= 0<br>= 0<br>= 0<br>= 0<br>= 0<br>= 0 | THIS DRAWING CONTAINS INFORMATION THAT IS PROPRIETARY TO MOLEX ELECTRONIC TECHNOLOGIES, LLC AND SHOULD NOT BE USED WITHOUT WRITTEN PERMISSION |                        |                                    |                     |
|  | DIMENSION UNITS   | SCALE                  | CURRENT REV DESC: OBSOLETE PART NO |                     |
|  | mm  | 1:1                    |                                    |                     |
|  | GENERAL TOLERANCES (UNLESS SPECIFIED)   |                        | EC NO: 696749                      |                     |
|  | ANGULAR TOL ± 0.5°  |                        | DRWN: MUM                          | 2019/03/27          |
|  | 4 PLACES ±  |                        | CHK'D: GB                          | 2019/11/06          |
|  | 3 PLACES ±  |                        | APPR: JKACHLIC                     | 2022/02/23          |
|  | 2 PLACES ± 0.13   |                        | INITIAL REVISION:                  |                     |
|  | 1 PLACE ± 0.25  |                        | DRWN: KLANG                        | 2005/04/15          |
|  | 0 PLACES ±  |                        | APPR: RNELSON                      | 2005/04/18          |
| DRAFT WHERE APPLICABLE MUST REMAIN WITHIN DIMENSIONS                                 |   | THIRD ANGLE PROJECTION | DRAWING                            | SERIES              |
|  |   |                        | C-SIZE                             | 75783               |
| DOCUMENT STATUS  |   | P1                     | RELEASE DATE                       | 2022/02/23 04:11:32 |
| DOCUMENT NUMBER  |   | DOC TYPE               | DOC PART                           | REVISION            |
| SD-75783-001   |   | PSD                    | 001                                | F1                  |
| MATERIAL NUMBER  |   | CUSTOMER               |                                    | SHEET NUMBER        |
| SEE TABLE  |   | GENERAL MARKET         |                                    | 10 OF 13            |




I-PASS R/A CONNECTOR  
INTERNAL ASSY W/SHELL 0.8MM PITCH I/O

PRODUCT CUSTOMER DRAWING

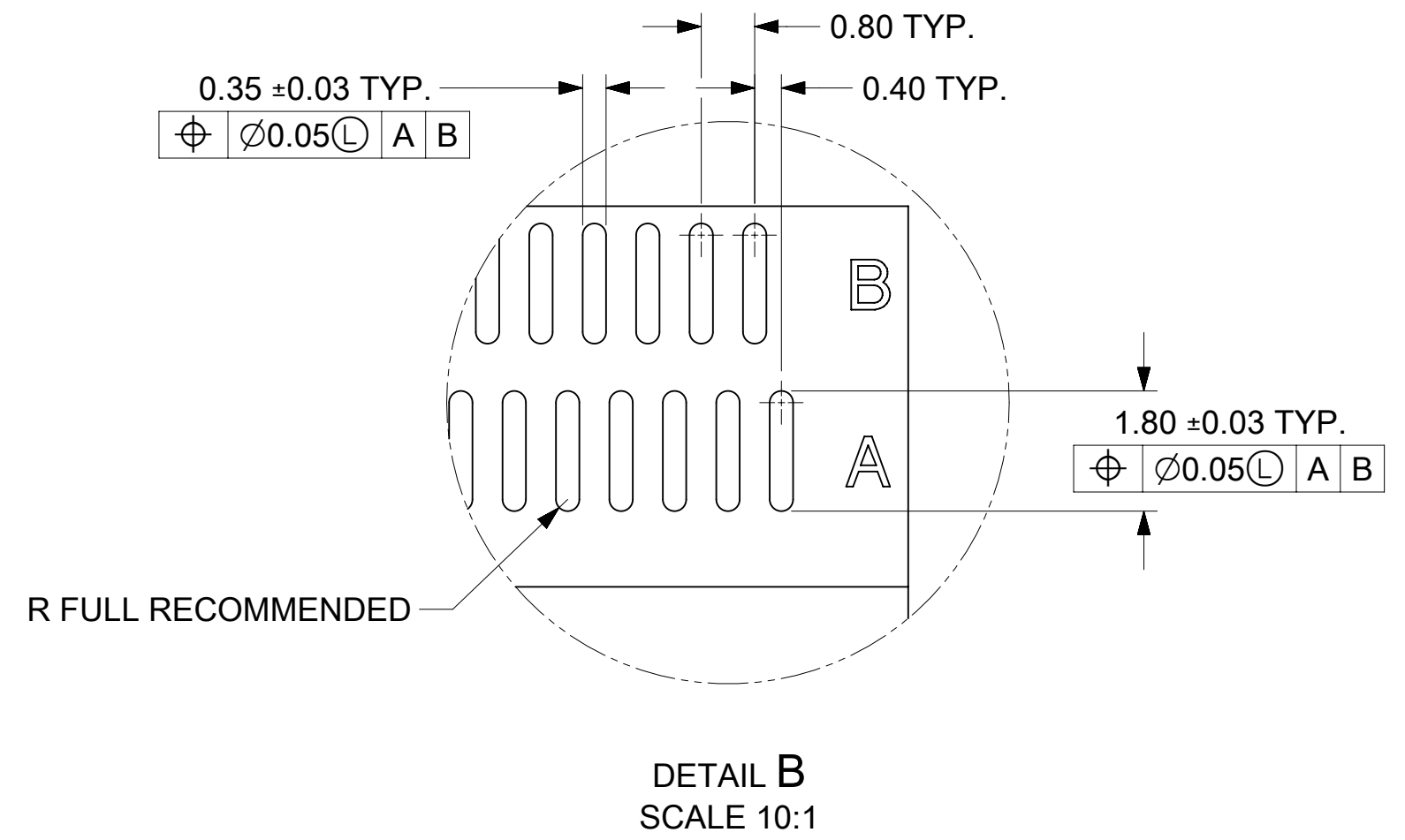
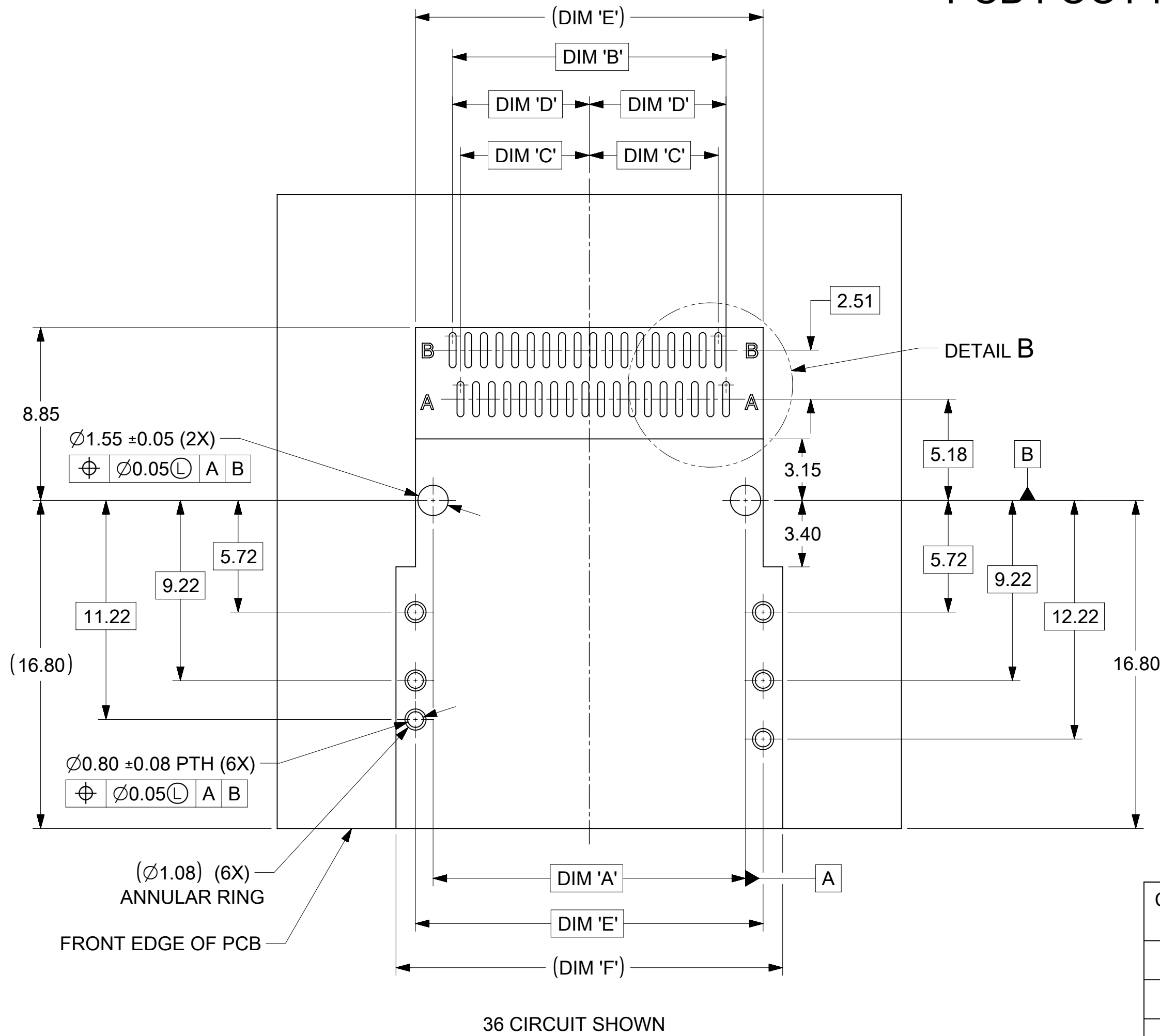
# 68 CIRCUIT ITEM NUMBERS

| CIRCUIT SIZE | ITEM NUMBER | PLATING OPTION | SHELL PCB OPTION | SHELL KEY OPTION |
|--------------|-------------|----------------|------------------|------------------|
| 68           | 75783-0307  | OPTION 1       | RETENTION        | LEFT             |
| 68           | 75783-0308  | OPTION 1       | RETENTION        | RIGHT            |
| 68           | 75783-0309  | OPTION 1       | RETENTION        | DUAL             |
| 68           | 75783-0310  | OPTION 1       | SMT              | LEFT             |
| 68           | 75783-0311  | OPTION 1       | SMT              | RIGHT            |
| 68           | 75783-0312  | OPTION 1       | SMT              | DUAL             |
| 68           | 75783-0319  | OPTION 2       | RETENTION        | LEFT             |
| 68           | 75783-0320  | OPTION 2       | RETENTION        | RIGHT            |
| 68           | 75783-0321  | OPTION 2       | RETENTION        | DUAL             |
| 68           | 75783-0322  | OPTION 2       | SMT              | LEFT             |
| 68           | 75783-0323  | OPTION 2       | SMT              | RIGHT            |
| 68           | 75783-0324  | OPTION 2       | SMT              | DUAL             |
| 68           | 75783-0325  | OPTION 1       | RETENTION        | UNIVERSAL        |
| 68           | 75783-0327  | OPTION 2       | RETENTION        | UNIVERSAL        |
| 68           | 75783-0328  | OPTION 2       | SMT              | UNIVERSAL        |
| 68           | 75783-0329  | OPTION 1       | T/H 1.96         | LEFT             |
| 68           | 75783-0330  | OPTION 1       | T/H 1.96         | RIGHT            |
| 68           | 75783-0331  | OPTION 1       | T/H 1.96         | DUAL             |
| 68           | 75783-0332  | OPTION 1       | T/H 1.96         | UNIVERSAL        |
| 68           | 75783-0333  | OPTION 2       | T/H 1.96         | LEFT             |
| 68           | 75783-0334  | OPTION 2       | T/H 1.96         | RIGHT            |
| 68           | 75783-0335  | OPTION 2       | T/H 1.96         | DUAL             |
| 68           | 75783-0336  | OPTION 2       | T/H 1.96         | UNIVERSAL        |

| CIRCUIT SIZE | ITEM NUMBER | PLATING OPTION | SHELL PCB OPTION | SHELL KEY OPTION |
|--------------|-------------|----------------|------------------|------------------|
| 68           | 75783-0337  | OPTION 1       | T/H 2.79         | LEFT             |
| 68           | 75783-0338  | OPTION 1       | T/H 2.79         | RIGHT            |
| 68           | 75783-0339  | OPTION 1       | T/H 2.79         | DUAL             |
| 68           | 75783-0340  | OPTION 1       | T/H 2.79         | UNIVERSAL        |
| 68           | 75783-0341  | OPTION 2       | T/H 2.79         | LEFT             |
| 68           | 75783-0342  | OPTION 2       | T/H 2.79         | RIGHT            |
| 68           | 75783-0343  | OPTION 2       | T/H 2.79         | DUAL             |
| 68           | 75783-0344  | OPTION 2       | T/H 2.79         | UNIVERSAL        |
| 68           | 75783-0345  | OPTION 1       | T/H 3.18         | LEFT             |
| 68           | 75783-0346  | OPTION 1       | T/H 3.18         | RIGHT            |
| 68           | 75783-0347  | OPTION 1       | T/H 3.18         | DUAL             |
| 68           | 75783-0348  | OPTION 1       | T/H 3.18         | UNIVERSAL        |
| 68           | 75783-0349  | OPTION 2       | T/H 3.18         | LEFT             |
| 68           | 75783-0350  | OPTION 2       | T/H 3.18         | RIGHT            |
| 68           | 75783-0351  | OPTION 2       | T/H 3.18         | DUAL             |
| 68           | 75783-0352  | OPTION 2       | T/H 3.18         | UNIVERSAL        |

|                                       |  |  |  |                                    |  |                 |  |          |  |   |  |   |  |   |  |              |  |  |  |
|---------------------------------------|--|--|--|------------------------------------|--|-----------------|--|----------|--|---|--|---|--|---|--|--------------|--|--|--|
| SYMBOLS                               |  |  |  |                                    |  |                 |  |          |  | THIS DRAWING CONTAINS INFORMATION THAT IS PROPRIETARY TO MOLEX ELECTRONIC TECHNOLOGIES, LLC AND SHOULD NOT BE USED WITHOUT WRITTEN PERMISSION |  |   |  |   |  |              |  |  |  |
| DIMENSION UNITS                       |  | SCALE  |  | CURRENT REV DESC: OBSOLETE PART NO |  |                 |  |          |  |   |  |   |  |  <p>I-PASS R/A CONNECTOR<br/>INTERNAL ASSY W/SHELL 0.8MM PITCH I/O</p> |  |              |  |  |  |
| mm                                    |  | 1:1  |  | EC NO: 696749                      |  |                 |  |          |  |   |  |   |  |   |  |              |  |  |  |
| GENERAL TOLERANCES (UNLESS SPECIFIED) |  | DRWN: MUM 2019/03/27                                 |  |                                    |  |                 |  |          |  |   |  | <p>PRODUCT CUSTOMER DRAWING</p>                   |  |   |  |              |  |  |  |
| ANGULAR TOL ± 0.5°                    |  | CHK'D: GB 2019/11/06                                 |  |                                    |  |                 |  |          |  |   |  |   |  |   |  |              |  |  |  |
| 4 PLACES ±                            |  | APPR: JKACHLIC 2022/02/23                            |  |                                    |  |                 |  |          |  |   |  | <p>DOCUMENT NUMBER</p> <p><b>SD-75783-001</b></p> |  |   |  |              |  |  |  |
| 3 PLACES ±                            |  | INITIAL REVISION:                                    |  |                                    |  |                 |  |          |  |   |  |   |  |   |  |              |  |  |  |
| 2 PLACES ± 0.13                       |  | DRWN: KLANG 2005/04/15                               |  |                                    |  |                 |  |          |  |   |  | DOC TYPE  |  | DOC PART  |  | REVISION     |  |  |  |
| 1 PLACE ± 0.25                        |  | APPR: RNELSON 2005/04/18                             |  |                                    |  |                 |  |          |  |   |  | PSD   |  | 001   |  | F1           |  |  |  |
| 0 PLACES ±                            |  | DRAFT WHERE APPLICABLE MUST REMAIN WITHIN DIMENSIONS |  |                                    |  |                 |  |          |  |   |  | MATERIAL NUMBER                                   |  | CUSTOMER  |  | SHEET NUMBER |  |  |  |
| THIRD ANGLE PROJECTION                |  | DRAWING  |  | SERIES                             |  | MATERIAL NUMBER |  | CUSTOMER |  | SHEET NUMBER  |  | SEE TABLE   |  | GENERAL MARKET  |  | 11 OF 13     |  |  |  |
| C-SIZE                                |  | 75783  |  |                                    |  |                 |  |          |  |   |  |   |  |   |  |              |  |  |  |

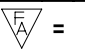
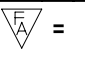
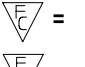
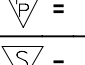

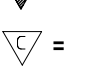
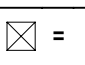

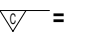

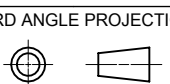
# RIGHT ANGLE CONNECTOR WITH RETENTION FIT & THRU-HOLE SHELL PCB FOOT PRINT



| CIRCUIT SIZE | DIMENSIONS |                       |                   |                   |                                  |                       |
|--------------|------------|-----------------------|-------------------|-------------------|----------------------------------|-----------------------|
|              | PEG TO PEG | FIRST PAD TO LAST PAD | CENTERLINE TO PAD | CENTERLINE TO PAD | CONNECTOR WIDTH SHELL PEG TO PEG | SHELL FOOTPRINT WIDTH |
| 26           | DIM 'A'    | DIM 'B'               | DIM 'C'           | DIM 'D'           | DIM 'E'                          | DIM 'F'               |
| 36           | 12.00      | 10.00                 | 4.60              | 5.00              | 13.80                            | 15.80                 |
| 50           | 16.00      | 14.00                 | 6.60              | 7.00              | 17.80                            | 19.80                 |
| 68           | 21.60      | 19.60                 | 9.40              | 9.80              | 23.40                            | 25.40                 |
|              | 28.80      | 26.80                 | 13.00             | 13.40             | 30.60                            | 32.60                 |

|  |   |                                      |  |  |   |  |  |  |
|--|---|--------------------------------------|--|--|---|--|--|--|
| <b>SYMBOLS</b><br>▽ = 0<br>▽ = 0<br>▽ = 0<br>▽ = 0<br>▽ = 0<br>▽ = 0<br>▽ = 0<br>▽ = 0<br>▽ = 0<br>▽ = 0 | THIS DRAWING CONTAINS INFORMATION THAT IS PROPRIETARY TO MOLEX ELECTRONIC TECHNOLOGIES, LLC AND SHOULD NOT BE USED WITHOUT WRITTEN PERMISSION |                                      | DIMENSION UNITS: <b>mm</b><br>SCALE: <b>5:1</b>  |  | CURRENT REV DESC: OBSOLETE PART NO                            |  |  |  |
|  | GENERAL TOLERANCES (UNLESS SPECIFIED)<br>ANGULAR TOL ± 0.5°   |                                      | EC NO: 696749<br>DRWN: MUM 2019/03/27<br>CHK'D: GB 2019/11/06<br>APPR: JKACHLIC 2022/02/23 |  | I-PASS R/A CONNECTOR<br>INTERNAL ASSY W/SHELL 0.8MM PITCH I/O |  |  |  |
| DRAFT WHERE APPLICABLE MUST REMAIN WITHIN DIMENSIONS   |   | THIRD ANGLE PROJECTION               |  | DRAWING SERIES: <b>C-SIZE 75783</b>            |   | PRODUCT CUSTOMER DRAWING   |  |  |
| INITIAL REVISION:<br>DRWN: KLANG 2005/04/15<br>APPR: RNELSON 2005/04/18                                  |   | DOCUMENT NUMBER: <b>SD-75783-001</b> |  | DOC TYPE: PSD<br>DOC PART: 001<br>REVISION: F1 |   | MATERIAL NUMBER: SEE TABLE<br>CUSTOMER: GENERAL MARKET<br>SHEET NUMBER: 12 OF 13 |  |  |

| DATE       | REV | DESCRIPTION   |
|------------|-----|---|
| 2018/03/20 | F   | 1. REMASTERED FROM MODEL MANAGER                                |
|            |     | 2. SHEET 1, NOTE 3, COPLANAR DISTANCE CHANGED FROM 0.15 TO 0.10 |
| 2019/03/28 | F1  | 1. RECREATED IN NX  |
|            |     | 2. OBSOLETED PART NO 757830052,757830145,757830146,757830326    |
|            |     |   |
|            |     |   |
|            |     |   |

|   |   |                                       |   |                           |         |        |                 |                |              |   |   |  |
|---|---|---------------------------------------|---|---------------------------|---------|--------|-----------------|----------------|--------------|---|---|--|
| SYMBOLS   | THIS DRAWING CONTAINS INFORMATION THAT IS PROPRIETARY TO MOLEX ELECTRONIC TECHNOLOGIES, LLC AND SHOULD NOT BE USED WITHOUT WRITTEN PERMISSION |                                       |   |                           |         |        |                 |                |              |   |   |  |
|   | DIMENSION UNITS   | SCALE                                 | CURRENT REV DESC: OBSOLETED PART NO   |                           |         |        |                 |                |              |  |   |  |
|   |  = 0   | mm                                    | 1:1   |                           |         |        |                 |                |              |   |   |  |
|   |  = 0   | GENERAL TOLERANCES (UNLESS SPECIFIED) |   | EC NO: 696749             |         |        |                 |                |              |   | I-PASS R/A CONNECTOR<br>INTERNAL ASSY W/SHELL 0.8MM PITCH I/O |  |
|   |  = 0   | ANGULAR TOL                           | ± 0.5°  | DRWN: MUM 2019/03/27      |         |        |                 |                |              |   |   |  |
|   |  = 0   | 4 PLACES                              | ±   | CHK'D: GB 2019/11/06      |         |        |                 |                |              |   |   |  |
|   |  = 0   | 3 PLACES                              | ±   | APPR: JKACHLIC 2022/02/23 |         |        |                 |                |              |   | PRODUCT CUSTOMER DRAWING                                      |  |
|   |  = 0   | 2 PLACES                              | ± 0.13  | INITIAL REVISION:         |         |        |                 |                |              |   | DOCUMENT NUMBER   |  |
|   |  = 0   | 1 PLACE                               | ± 0.25  | DRWN: KLANG 2005/04/15    |         |        |                 |                |              |   | SD-75783-001  |  |
|   |  = 0   | 0 PLACES                              | ±   | APPR: RNELSON 2005/04/18  |         |        |                 |                |              |   | DOC TYPE   DOC PART   REVISION                                |  |
|  = 0 | DRAFT WHERE APPLICABLE MUST REMAIN WITHIN DIMENSIONS  |                                       | THIRD ANGLE PROJECTION  |                           | DRAWING | SERIES | MATERIAL NUMBER | CUSTOMER       | SHEET NUMBER |   |   |  |
|  = 0 |   |                                       |  |                           | C-SIZE  | 75783  | SEE TABLE       | GENERAL MARKET | 13 OF 13     |   |   |  |

|                 |    |              |                     |
|-----------------|----|--------------|---------------------|
| DOCUMENT STATUS | P1 | RELEASE DATE | 2022/02/23 04:11:32 |
|-----------------|----|--------------|---------------------|