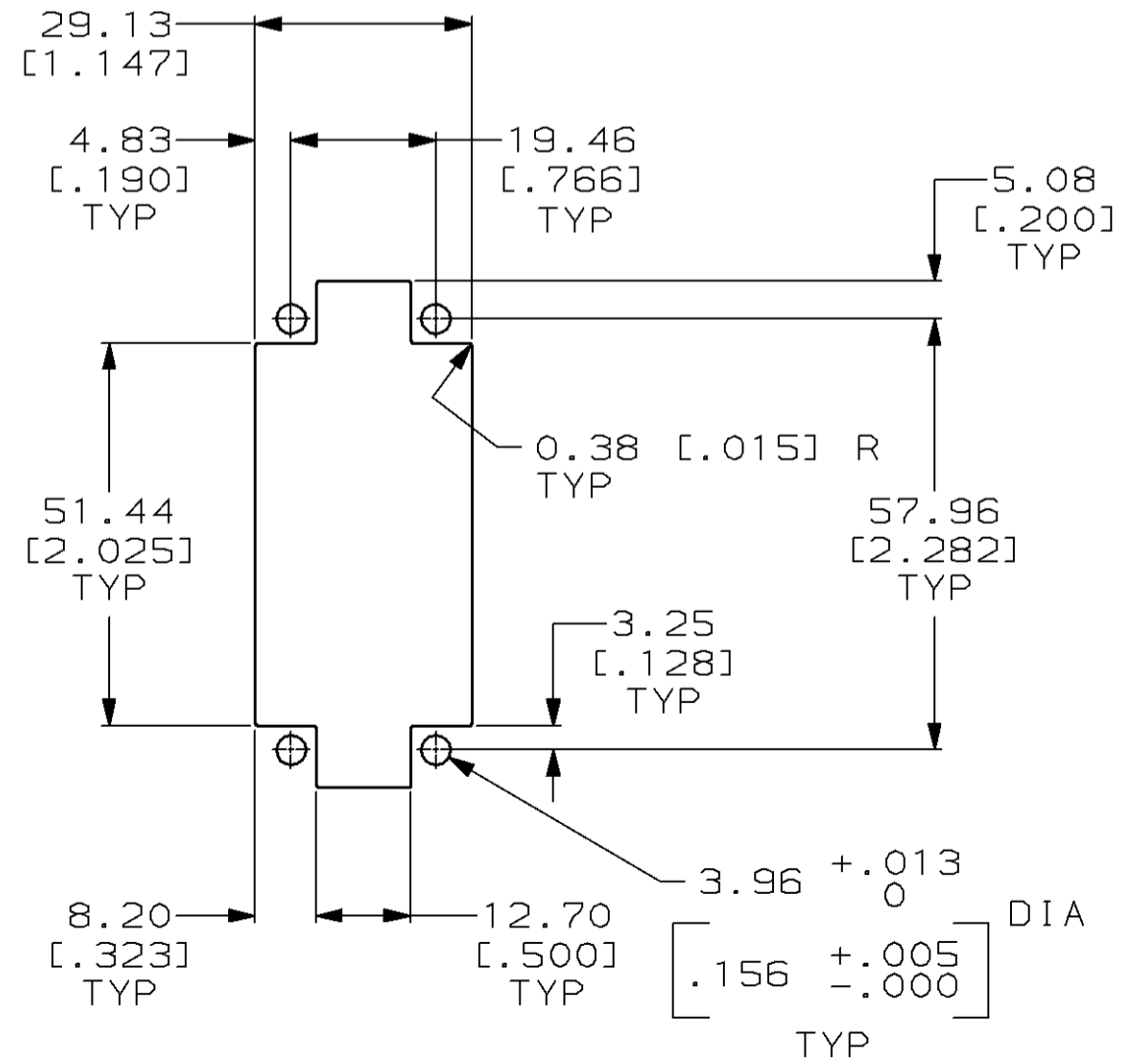
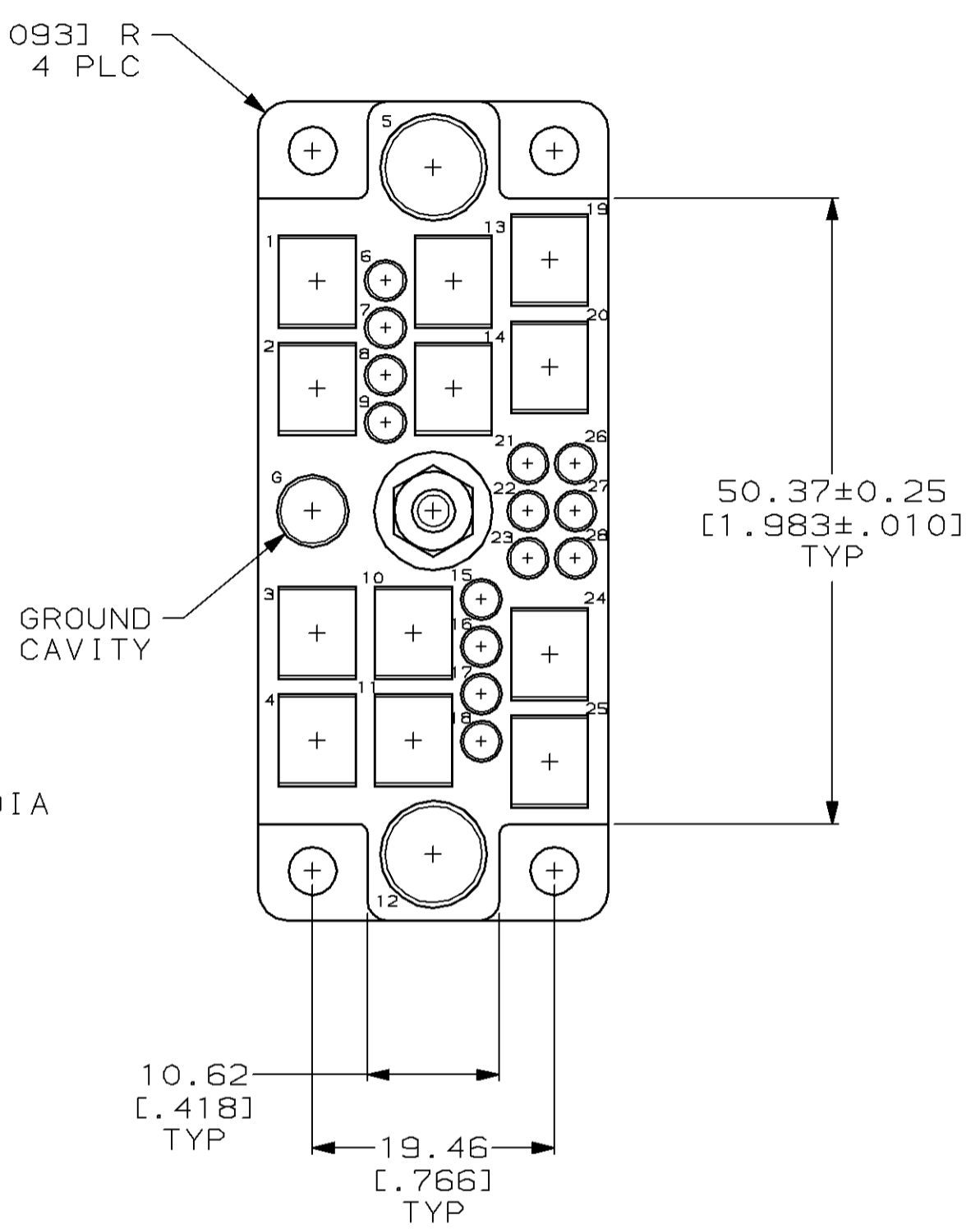
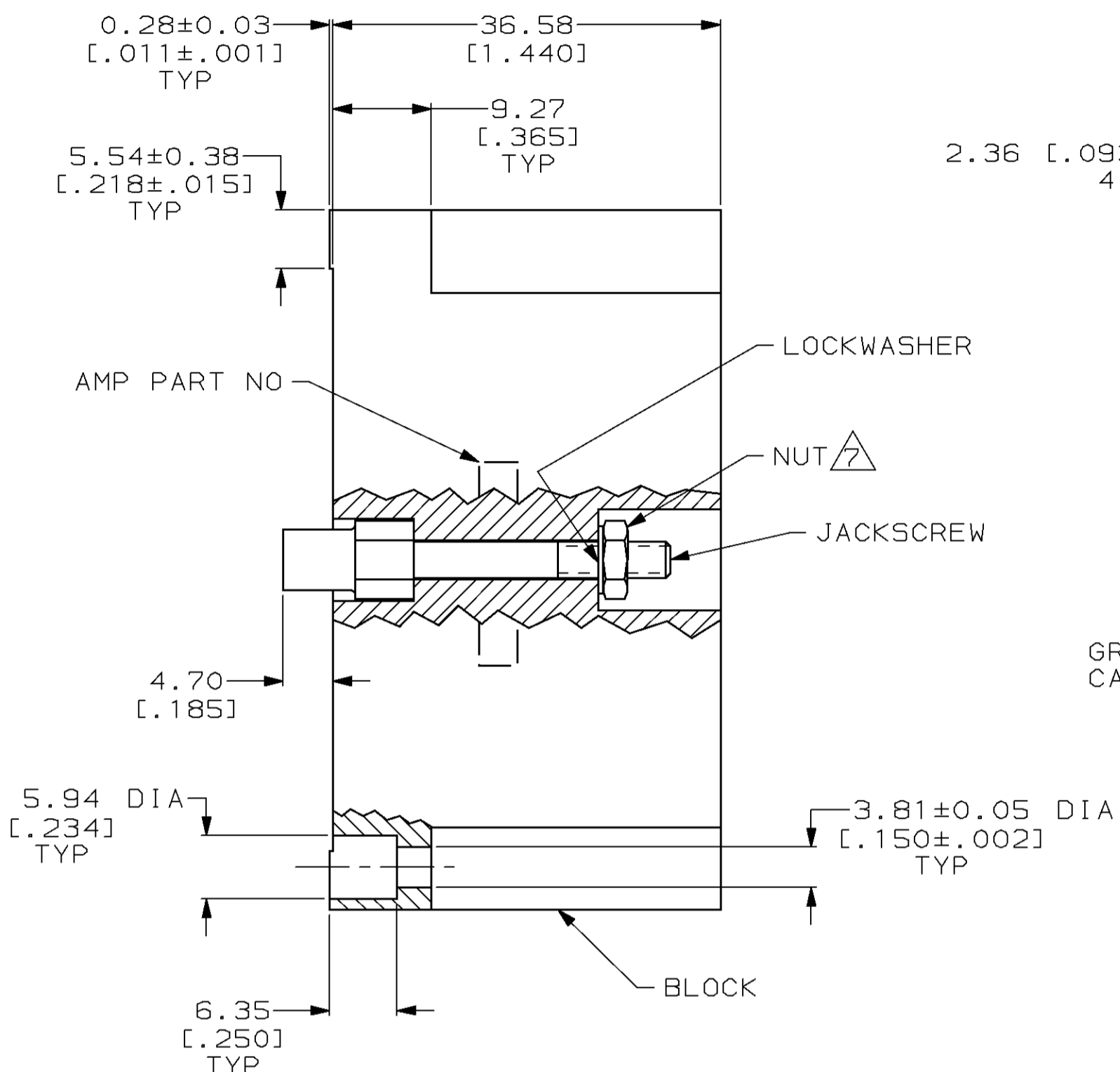
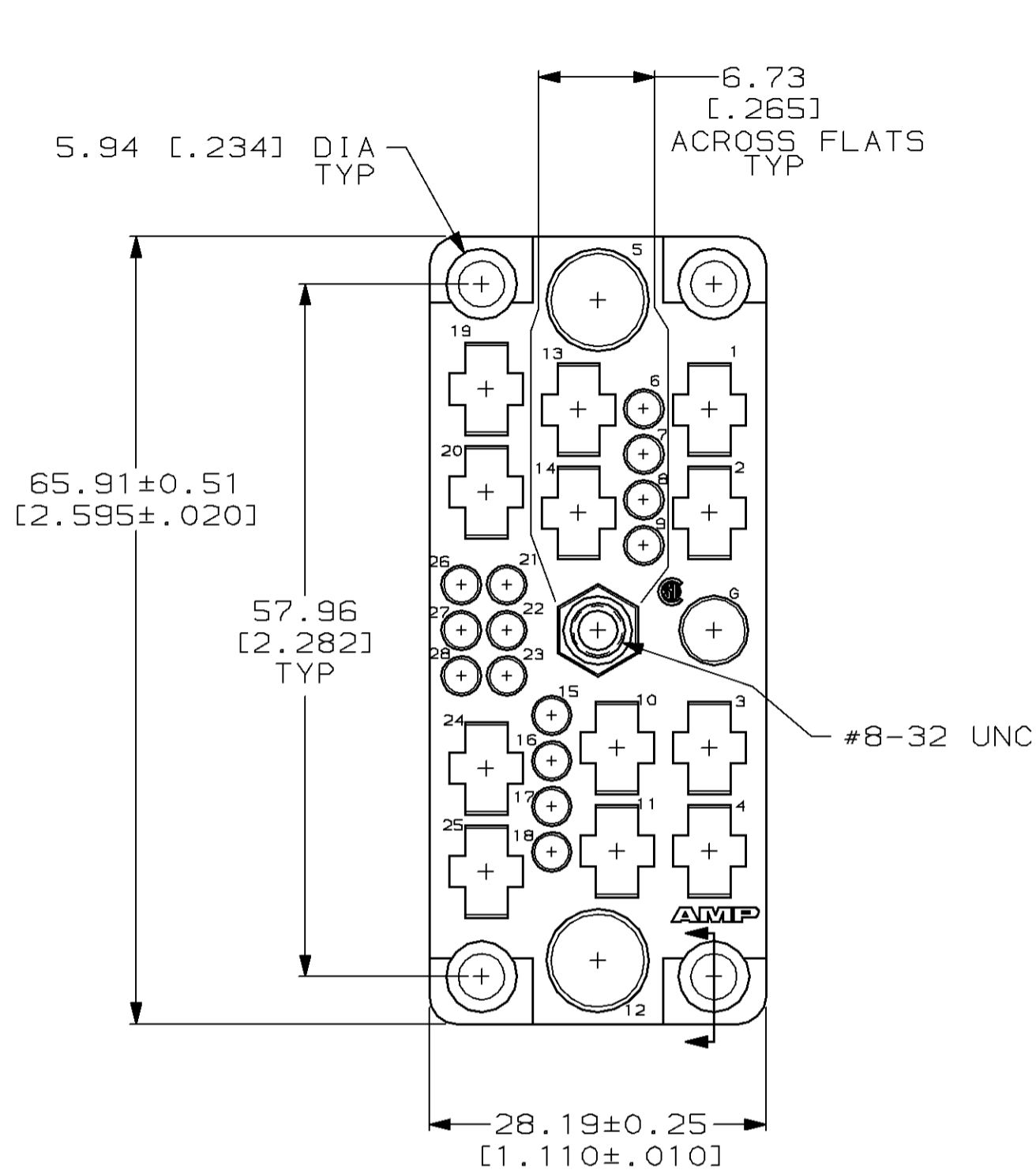


THIS DRAWING IS UNPUBLISHED. RELEASED FOR PUBLICATION  
 © COPYRIGHT 19 BY AMP INCORPORATED. ALL RIGHTS RESERVED.

Loc		DIST		REVISIONS			
P	LTR	DESCRIPTION		DATE	DWN	APVD	
FT	8	J		REDRAWN W/O CHANGE PER EC 0020-292-96	10 JUL 96	-	-



RECOMMENDED PANEL CUTOUT  
SCALE 1:1

- ① BLOCK: PHENOLIC, BLACK, PER MIL-M-14 TYPE CFG. JACKSCREW & LOCKWASHER: STAINLESS STEEL. NUT: CARBON STEEL.
- ② NUT: ZINC PLATED. LOCKWASHER: PASSIVATED.
- 3. ACCOMODATES 14 TYPE II OR III #16 PIN OR SOCKET CONTACTS.
- 4. COAXICON SOCKET CONTACTS & 12 FEMALE POWER CONN CONTACTS.
- 5. FOR MATING PLUG SEE 202479.
- 6. TYPE I #12 SOCKET CONTACT USED FOR GROUND.
- ⑦ TORQUED TO 10-15 IN-LB AT ASSEMBLY.

202478-2  
PART NUMBER

THIS DRAWING IS A CONTROLLED DOCUMENT.		DWN B. CARBO 10 JUL 96	AMP Incorporated Harrisburg, PA 17105-3608
DIMENSIONS: mm [INCHES]		CHK R. STONE 7 AUG 96	
TOLERANCES UNLESS OTHERWISE SPECIFIED:		APVD G. STEINHAUER 22 AUG 96	NAME RECEPTACLE BLOCK ASSEMBLY, 29 POSITION, FOR CENTER FASTENER, M SERIES
0 PLC ±-	1 PLC ±-	PRODUCT SPEC	SIZE A2
2 PLC ±0.13 [0.005]	3 PLC ±-	APPLICATION SPEC	CAGE CODE 00779
4 PLC ±-	ANGLES ±-	FINISH	DRAWING NO C-202478
MATERIAL	①	WEIGHT	SCALE 2:1
CUSTOMER DRAWING		REV J	SHEET 1 OF 1

202478