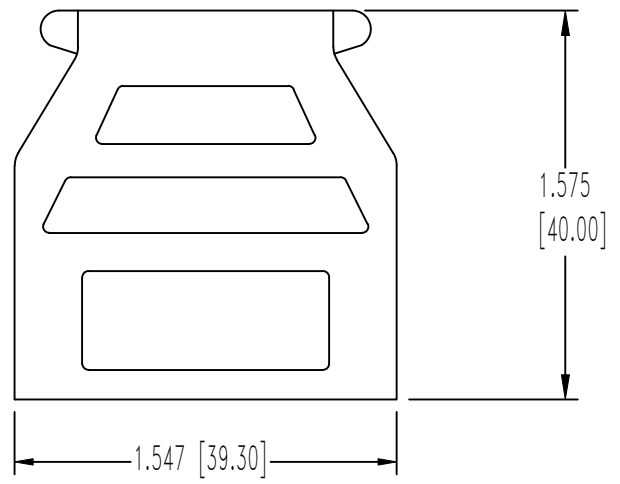


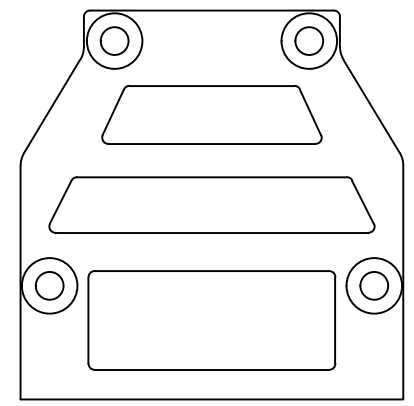
SK1988

DATE	REV	REVISION RECORD	APP	DR	CK
12-22-06	B	ECO 27227		YK	

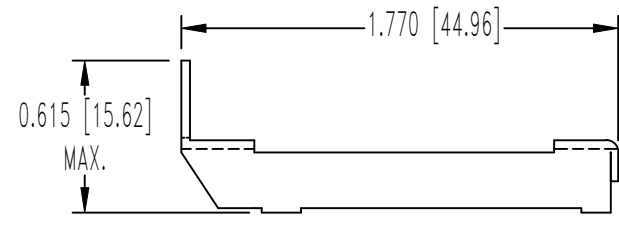
THIS DRAWING CONTAINS INFORMATION PROPRIETARY TO POSITRONIC AND ITS SUBSIDIARIES. POSITRONIC BELIEVES THE DATA ON THIS DRAWING TO BE RELIABLE. SINCE THE TECHNICAL INFORMATION IS GIVEN FREE OF CHARGE, THE USER EMPLOYS SUCH INFORMATION AT HIS OWN DISCRETION AND RISK. POSITRONIC ASSUMES NO RESPONSIBILITY FOR RESULTS OBTAINED OR DAMAGES INCURRED FROM USE OF SUCH INFORMATION IN WHOLE OR IN PART.



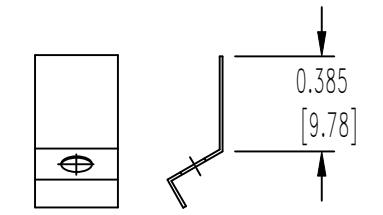
HOOD



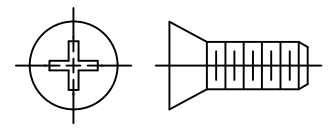
COVER



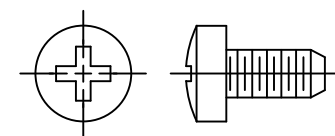
LOCKARM



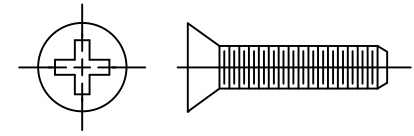
LOCKARM SPRING



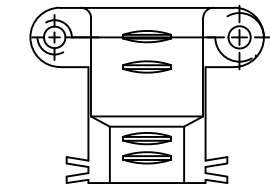
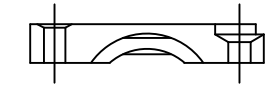
COVER SCREW(4)



INTERNAL GROUNDING SCREW(1)



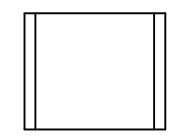
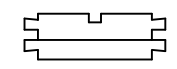
CABLE CLAMP SCREW(2)



CABLE CLAMP (1 SET)



MOUNTING SCREW(2)



PLUG(2)

NOTES:

- MATERIALS AND FINISHES:
 HOOD AND COVER: ZINC, DIE CAST.
 CABLE CLAMPS: ZINC, DIE CAST.
 LOCK LEVER: STEEL, NICKEL PLATE.
 SCREWS: STEEL, NICKEL PLATE.
 LOCKARM SPRING: BERYLLIUM COPPER, NICKEL PLATE.
 MOUNTING SCREWS: STAINLESS STEEL, PASSIVATED.
- DIMENSIONS ARE IN INCHES [MILLIMETERS].

	POSITRONIC INDUSTRIES INC. www.connectpositronic.com		FSCM 28198
	SCALE N.T.S.	DRAWN BY YK	APPROVED BY
DECIMAL TOL. ± 0.015 [0.38]	TITLE D SERIES		
D15000GVLO			
ANGULAR TOL. ± 5°	DATE 12-21-06	DRAWING NUMBER SK1988	REV. B