

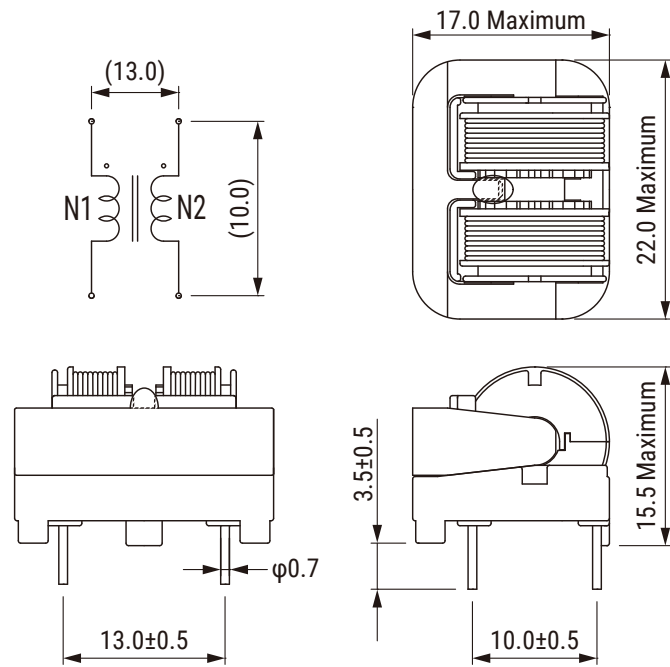
# Common Mode & Dual Mode Chokes Coils, 0.3 – 0.8 A Low Current Kit

## Sample Kit Contents

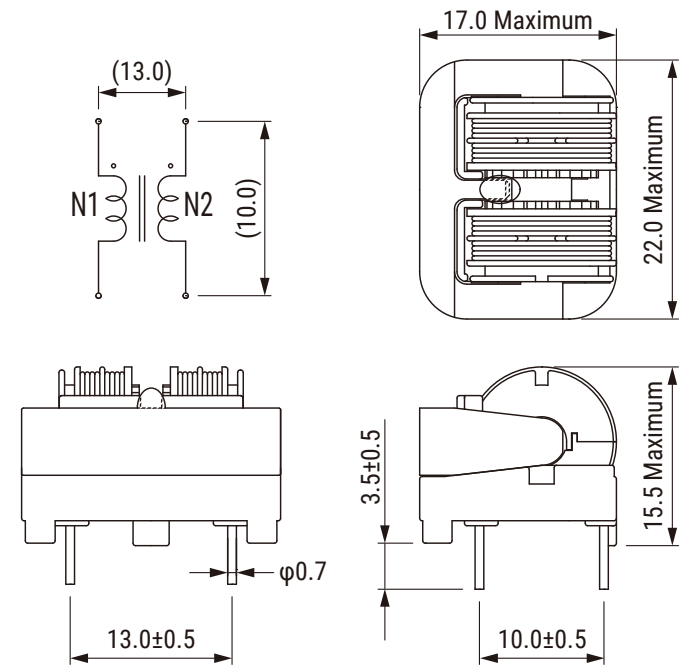
KEMET Part Number	Rated Voltage (VAC)	Rated Current (A)	Inductance (mH) at 10 kHz Minimum	DC Resistance/Line (Ω) Maximum	Temperature Range	Quantity	Description
SSRH7HS-M03925	250	0.30	92.50	3.18	-25/+120°C	1	SSRH7HS-M, Common Mode
SSRH7H-M031157	250	0.30	115.70	3.57	-25/+120°C	1	SSRH7H-M, Common Mode
SSR21NVS-M031500	250	0.30	150.00	2.70	-25/+120°C	1	SSR21NVS-M/NHS-M, Common Mode
SSR21NV-M031900	250	0.30	190.00	2.90	-25/+120°C	1	SSR21NV-M/NH-M, Common Mode
SSHB10HS-04265	250	0.40	26.50	2.45	-25/+130°C	1	SSHB10HS, Dual Mode
SSHB10H-04320	250	0.40	32.00	2.70	-25/+130°C	1	SSHB10H, Dual Mode
SSRH7HS-M04467	250	0.40	46.70	1.79	-25/+120°C	1	SSRH7HS-M, Common Mode
SSRH7H-M04596	250	0.40	59.60	2.02	-25/+120°C	1	SSRH7H-M, Common Mode
SSHB10HS-R04620	250	0.40	62.00	2.45	-25/+120°C	1	SSHB10HS, Dual Mode
SSR10VS-04745	250	0.40	74.50	2.50	-25/+120°C	1	SSR10VS/HS, Common Mode
SSHB10H-R04760	250	0.40	76.00	2.70	-25/+120°C	1	SSHB10H, Dual Mode
SSR10V-04910	250	0.40	91.00	2.80	-25/+120°C	1	SSR10V/H, Common Mode
SSR21NVS-M041350	250	0.40	135.00	2.00	-25/+120°C	1	SSR21NVS-M/NHS-M, Common Mode
SSR21NV-M041500	250	0.40	150.00	2.00	-25/+120°C	1	SSR21NV-M/NH-M, Common Mode
SSHB10HS-05177	250	0.50	17.70	1.55	-25/+130°C	1	SSHB10HS, Dual Mode
SSHB10H-05212	250	0.50	21.20	1.70	-25/+130°C	1	SSHB10H, Dual Mode
SSRH7HS-M05324	250	0.50	32.40	1.21	-25/+120°C	1	SSRH7HS-M, Common Mode
SSRH7H-M05408	250	0.50	40.80	1.36	-25/+120°C	1	SSRH7H-M, Common Mode
SSHB10HS-R05415	250	0.50	41.50	1.55	-25/+120°C	1	SSHB10HS, Dual Mode
SSR10VS-05495	250	0.50	49.50	1.60	-25/+120°C	1	SSR10VS/HS, Common Mode
SSHB10H-R05500	250	0.50	50.00	1.70	-25/+120°C	1	SSHB10H, Dual Mode
SSR10V-05595	250	0.50	59.50	1.70	-25/+120°C	1	SSR10V/H, Common Mode
SSR21NVS-M051200	250	0.50	120.00	1.85	-25/+120°C	1	SSR21NVS-M/NHS-M, Common Mode
SSR21NV-M051350	250	0.50	135.00	1.90	-25/+120°C	1	SSR21NV-M/NH-M, Common Mode
SSHB10HS-06140	250	0.60	14.00	1.17	-25/+130°C	1	SSHB10HS, Dual Mode
SSHB10H-06171	250	0.60	17.10	1.30	-25/+130°C	1	SSHB10H, Dual Mode
SSRH7HS-M06185	250	0.60	18.50	0.69	-25/+120°C	1	SSRH7HS-M, Common Mode
SSRH7H-M06237	250	0.60	23.70	0.78	-25/+120°C	1	SSRH7H-M, Common Mode
SSHB10HS-R06330	250	0.60	33.00	1.17	-25/+120°C	1	SSHB10HS, Dual Mode
SSR10VS-06385	250	0.60	38.50	1.20	-25/+120°C	1	SSR10VS/HS, Common Mode
SSHB10H-R06400	250	0.60	40.00	1.30	-25/+120°C	1	SSHB10H, Dual Mode
SSR10V-06475	250	0.60	47.50	1.30	-25/+120°C	1	SSR10V/H, Common Mode
SSR21NVS-M06890	250	0.60	89.00	1.35	-25/+120°C	1	SSR21NVS-M/NHS-M, Common Mode
SSR21NV-M061200	250	0.60	120.00	1.50	-25/+120°C	1	SSR21NV-M/NH-M, Common Mode
SSHB10HS-07099	250	0.70	9.90	0.81	-25/+130°C	1	SSHB10HS, Dual Mode
SSHB10H-07120	250	0.70	12.00	0.90	-25/+130°C	1	SSHB10H, Dual Mode
SSRH7HS-M07154	250	0.70	15.40	0.63	-25/+120°C	1	SSRH7HS-M, Common Mode
SSRH7H-M07196	250	0.70	19.60	0.71	-25/+120°C	1	SSRH7H-M, Common Mode
SSHB10HS-R07230	250	0.70	23.00	0.81	-25/+120°C	1	SSHB10HS, Dual Mode
SSR10VS-07265	250	0.70	26.50	0.85	-25/+120°C	1	SSR10VS/HS, Common Mode
SSHB10H-R07284	250	0.70	28.40	0.90	-25/+120°C	1	SSHB10H, Dual Mode
SSR10V-07330	250	0.70	33.00	0.90	-25/+120°C	1	SSR10V/H, Common Mode
SSR21NVS-M07680	250	0.70	68.00	0.95	-25/+120°C	1	SSR21NVS-M/NHS-M, Common Mode
SSR21NV-M07890	250	0.70	89.00	1.05	-25/+120°C	1	SSR21NV-M/NH-M, Common Mode
SSHB10HS-08068	250	0.80	6.80	0.58	-25/+130°C	1	SSHB10HS, Dual Mode
SSHB10H-08082	250	0.80	8.20	0.64	-25/+130°C	1	SSHB10H, Dual Mode
SSRH7HS-M08134	250	0.80	13.40	0.50	-25/+120°C	1	SSRH7HS-M, Common Mode
SSHB10HS-R08160	250	0.80	16.00	0.58	-25/+120°C	1	SSHB10HS, Dual Mode
SSRH7H-M08169	250	0.80	16.90	0.56	-25/+120°C	1	SSRH7H-M, Common Mode
SSR10VS-08180	250	0.80	18.00	0.60	-25/+120°C	1	SSR10VS/HS, Common Mode
SSHB10H-R08194	250	0.80	19.40	0.64	-25/+120°C	1	SSHB10H, Dual Mode
SSR10V-08220	250	0.80	22.00	0.65	-25/+120°C	1	SSR10V/H, Common Mode
SSR21NVS-M08475	250	0.80	47.50	0.68	-25/+120°C	1	SSR21NVS-M/NHS-M, Common Mode
SSR21NV-M08680	250	0.80	68.00	0.80	-25/+120°C	1	SSR21NV-M/NH-M, Common Mode
KEMET Part Number	Rated Voltage (VAC)	Rated Current (A)	Inductance (mH) at 10 kHz Minimum	DC Resistance/Line (Ω) Maximum	Temperature Range	Quantity	Description

## Dimensions – Millimeters (Inches)

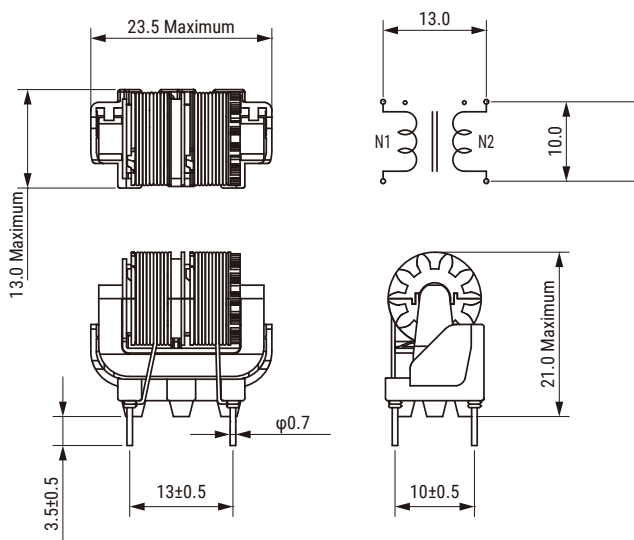
SSHB10H



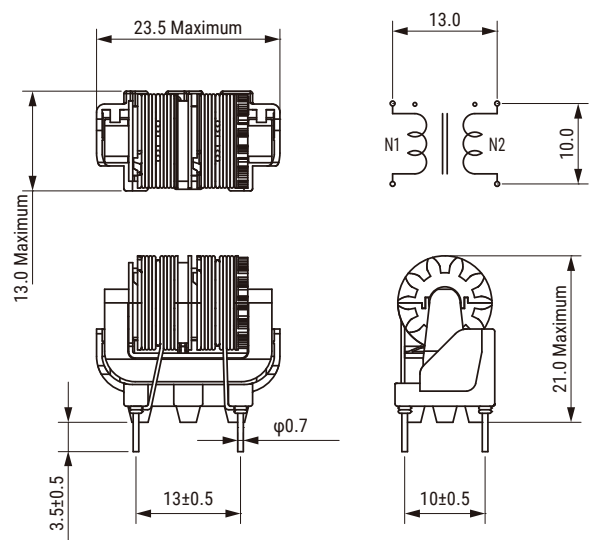
SSHB10HS



SSR10V

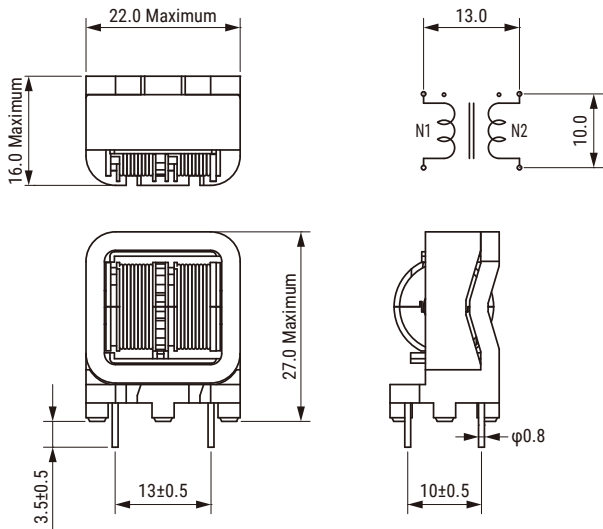


SSR10VS

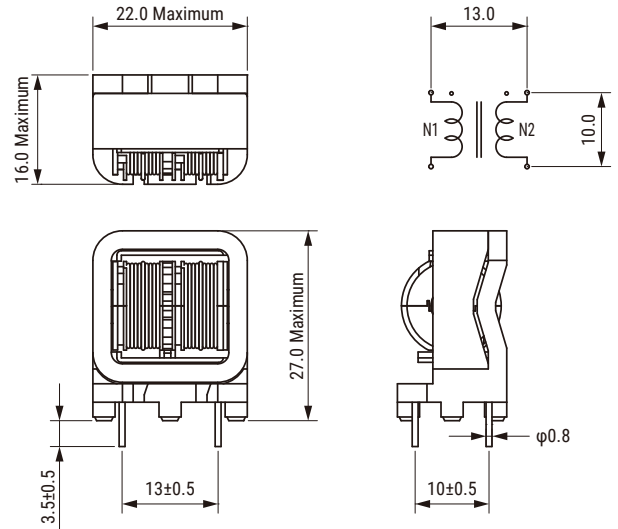


## Dimensions – Millimeters (Inches) cont.

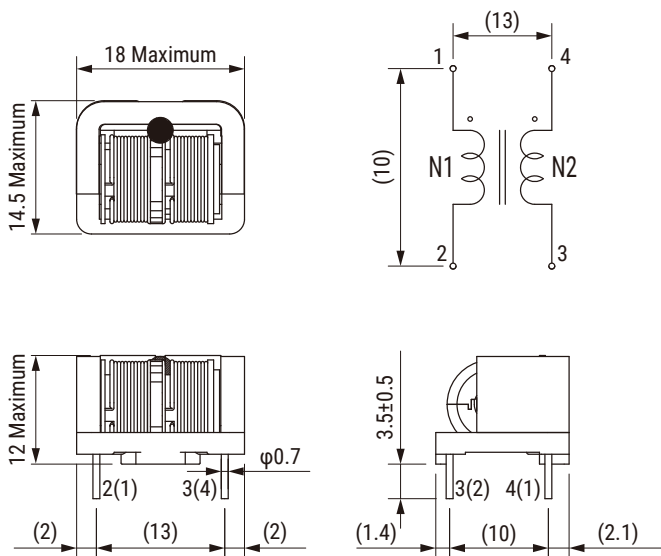
### SSR21NV-M



### SSR21NVS-M



### SSRH7H-M



### SSRH7HS-M

