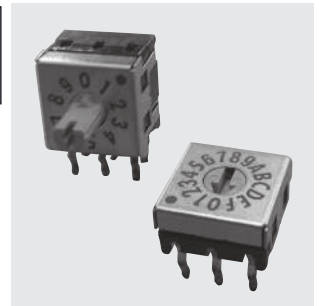


# DRS·DRR 7000C 8000C

Washable

## Hyper-Miniature Dip Rotary Switches (7.5mm sq.) (PC Mount)



RoHS Compliant

### ■ Features

- 1. Hyper-miniature Size(7.5mm sq.)**  
Designed for high density mounting.
- 2. Process Sealed**
- 3. Gold Plated Contacts**
- 4. Clearly Visible Legends and Position Indicator**

### ■ Specifications

Rating	Switching	Max.	30mA 15VDC
		Min.	1μA 20mVDC
	Non-switching		100mA 50VDC
Contact resistance		100mΩ maximum	
Dielectric strength		250VAC, 60s	
Insulation resistance		1,000MΩ minimum (100VDC)	
Load life		20,000 steps 30mA 15VDC	
Operating torque		49mN·m [500gf·cm] maximum	
Operating temperature range		-25~+85°C	
Storage temperature range		-40~+85°C	

### ■ Part Numbering

<b>DR</b>	<b>S</b>	<b>7</b>	<b>0</b>	<b>10</b>	<b>C</b>
Series code	Terminals	Actuators	Circuits	Number of positions	Structure
<b>S</b> Straight		<b>7</b> Screwdriver Actuator	<b>0</b> Real code	<b>10</b> 10 positions	
<b>R</b> Right angle		<b>8</b> Shaft Actuator	<b>1</b> Complementary code	<b>16</b> 16 positions	

### ■ 品種一覧表 / Table of Part Numbers

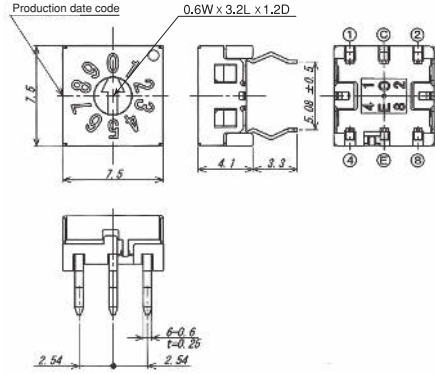
Circuit function	positions	Actuators	Screwdriver Actuator		Shaft Actuator	
		Terminal style	PC Straight	Right-Angle	Straight	Right Angle
Real code	10		<b>DRS7010C</b>	<b>DRR7010C</b>	<b>DRS8010C</b>	★ <b>DRR8010C</b>
	16		<b>DRS7016C</b>	<b>DRR7016C</b>	<b>DRS8016C</b>	<b>DRR8016C</b>
Complementary code	10		<b>DRS7110C</b>	<b>DRR7110C</b>	★ <b>DRS8110C</b>	★ <b>DRR8110C</b>
	16		<b>DRS7116C</b>	<b>DRR7116C</b>	<b>DRS8116C</b>	★ <b>DRR8116C</b>

★ : Made-to-order products.

DRS7010C  
DRS7110C



Straight



Terminal numbers are shown on the bottom of the switch.

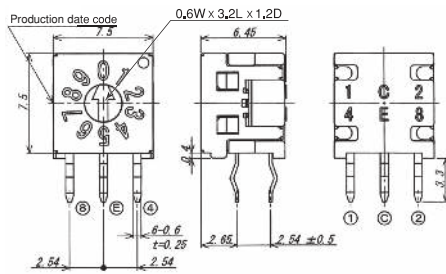
● Real code Actuator color : Yellow

Part No.	Position	Terminal #			
		1	2	4	8
DRS7010C DRR7010C	0				
	1	●			
	2		●		
	3	●	●		
	4			●	
	5	●		●	
	6		●	●	
	7	●	●	●	
	8				●
9	●			●	

DRR7010C  
DRR7110C



Right Angle



Terminal numbers are shown on the bottom of the switch.

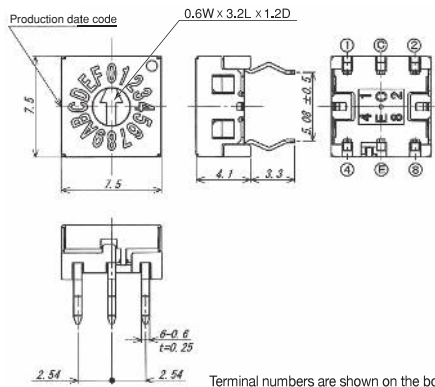
● Complementary code Actuator color : Red

Part No.	Position	Terminal #			
		1	2	4	8
DRS7110C DRR7110C	0	●	●	●	●
	1		●	●	●
	2	●		●	●
	3			●	●
	4	●	●		●
	5		●		●
	6	●			●
	7				●
	8	●	●	●	
9		●	●		

DRS7016C  
DRS7116C



Straight



Terminal numbers are shown on the bottom of the switch.

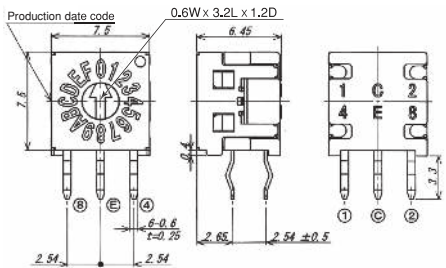
● Real code Actuator color : Yellow

Part No.	Position	Terminal #			
		1	2	4	8
DRS7016C DRR7016C	0				
	1	●			
	2		●		
	3	●	●		
	4			●	
	5	●		●	
	6		●	●	
	7	●	●	●	
	8				●
	9	●			●
	A		●		●
	B	●	●		●
	C			●	●
D	●		●	●	
E		●	●	●	
F	●	●	●	●	

DRR7016C  
DRR7116C



Right Angle

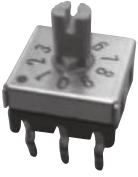


Terminal numbers are shown on the bottom of the switch.

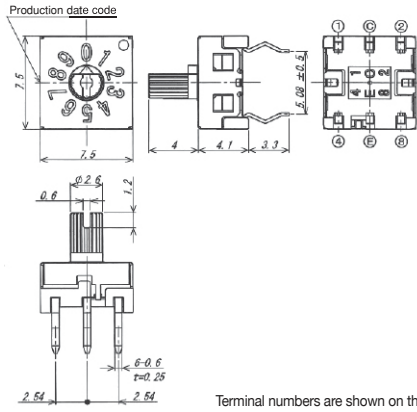
● Complementary code Actuator color : Red

Part No.	Position	Terminal #			
		1	2	4	8
DRS7116C DRR7116C	0	●	●	●	●
	1		●	●	●
	2	●		●	●
	3			●	●
	4	●	●		●
	5		●		●
	6	●			●
	7				●
	8	●	●	●	
	9		●	●	
	A	●		●	
	B			●	
	C	●	●		
D		●			
E	●				
F					

DRS8010C  
DRS8110C



Straight



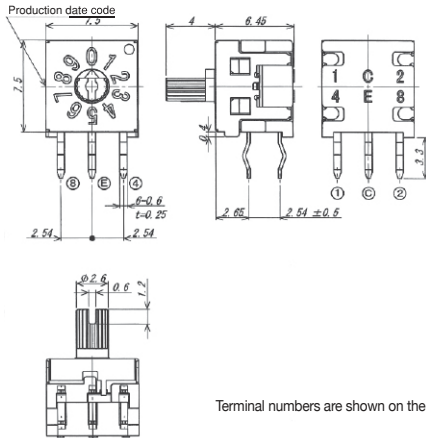
● Real code Actuator color : Yellow

Part No.	Position	Terminal #			
		1	2	4	8
DRS8010C DRR8010C	0				
	1	●			
	2		●		
	3	●	●		
	4			●	
	5	●		●	
	6		●	●	
	7	●	●	●	
	8				●
	9	●			●

DRR8010C  
DRR8110C



Right Angle



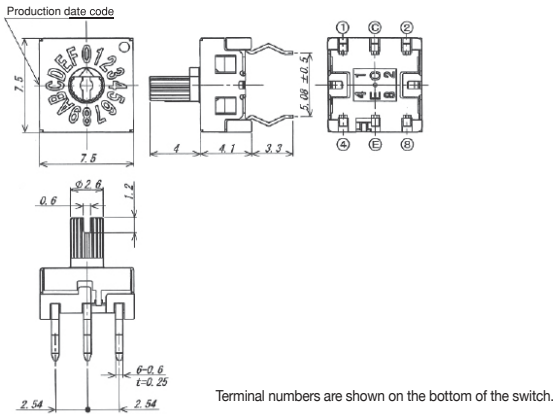
● Complementary code Actuator color : Red

Part No.	Position	Terminal #			
		1	2	4	8
DRS8110C DRR8110C	0	●	●	●	●
	1		●	●	●
	2	●		●	●
	3			●	●
	4	●	●		●
	5		●		●
	6	●			●
	7				●
	8	●	●	●	
	9		●	●	

DRS8016C  
DRS8116C



Straight



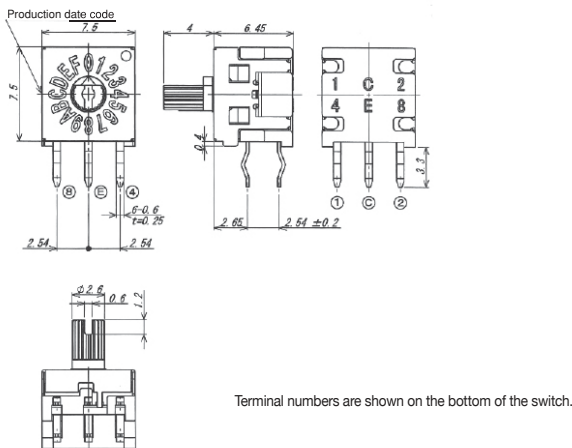
● Real code Actuator color : Yellow

Part No.	Position	Terminal #			
		1	2	4	8
DRS8016C DRR8016C	0				
	1	●			
	2		●		
	3	●	●		
	4			●	
	5	●		●	
	6		●	●	
	7	●	●	●	
	8				●
	9	●			●
	A		●		●
	B	●	●		●
	C			●	●
	D	●		●	●
	E		●	●	●
	F	●	●	●	●

DRR8016C  
DRR8116C



Right Angle



● Complementary code Actuator color : Red

Part No.	Position	Terminal #			
		1	2	4	8
DRS8116C DRR8116C	0	●	●	●	●
	1		●	●	●
	2	●		●	●
	3			●	●
	4	●	●		●
	5		●		●
	6	●			●
	7				●
	8	●	●	●	
	9		●	●	
	A	●		●	
	B		●		
	C	●	●		
	D		●		
	E	●			
	F				

■ **PCB Footprints**

(Top view)

Terminal style	Straight	Right Angle
Footprint dimensions		

■ **Packaging Specifications**

Series	DRS7000C/8000C	DRR7000C/8000C
Stick-Tube Specifications		

※Order in 50 piece increments.

■ **Soldering Specifications**

- (1) Manual Soldering  
350°C, 3 sec. Max
- (2) Flow  
245~260°C, Max.; 3 to 5 seconds (One time)  
Total dip time within 10 sec.

■ **Flux Cleaning**

After soldering, wait until the switches cool down to room temperature (30°C or below) before washing. If the switches are cleaned while still above 30°C, a vacuum will occur which will cause the cleaning solution to be sucked into the switches.

■ **Switch Operation**

Use a screwdriver for setting position of the actuator.