

THIS DRAWING IS UNPUBLISHED.
 VERTRÄULICHE UNVERÖFFENTLICHTE ZEICHNUNG
 © COPYRIGHT 2014 Tyco Electronics AMP GmbH

RELEASED FOR PUBLICATION
 FREI FÜR VERÖFFENTLICHUNG
 2014
 ALL RIGHTS RESERVED.
 ALLE RECHTE VORBEHALTEN.

MATED WITH:
 PASSEND ZU:

DIESE ZEICHNUNG IST EIN KONTROLLIERTES DOKUMENT.
 BEMASSUNGEN UND TOLERANZEN GEMAESS GPS (ISO STANDARDS).

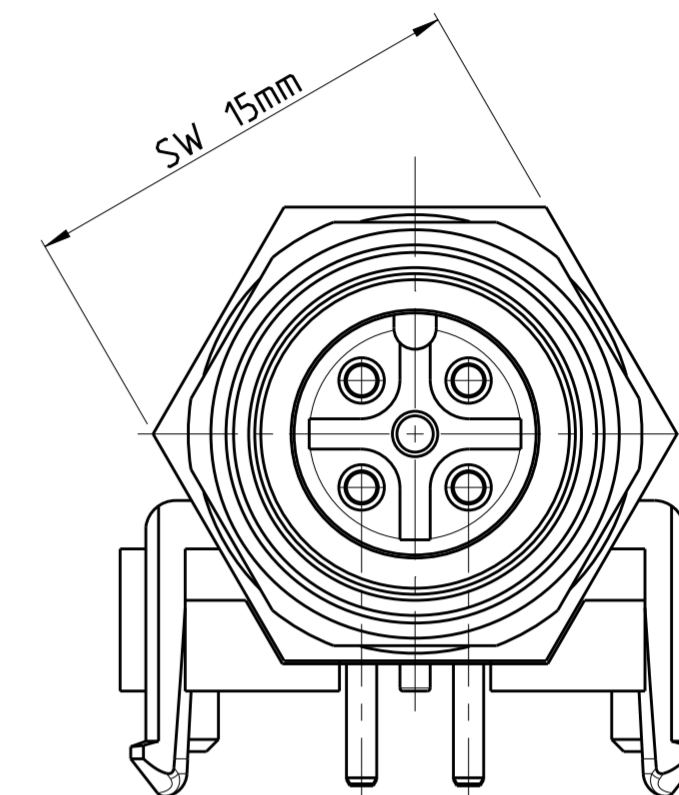
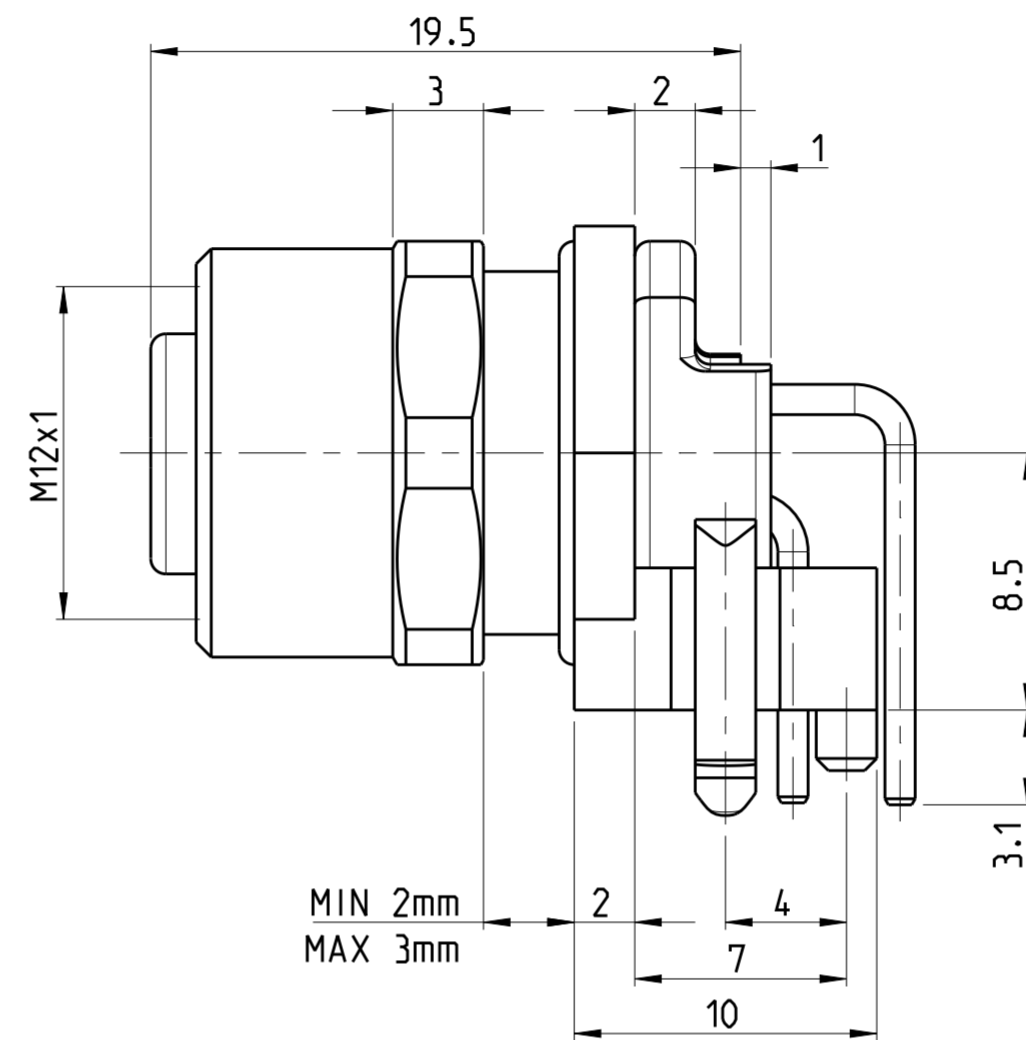
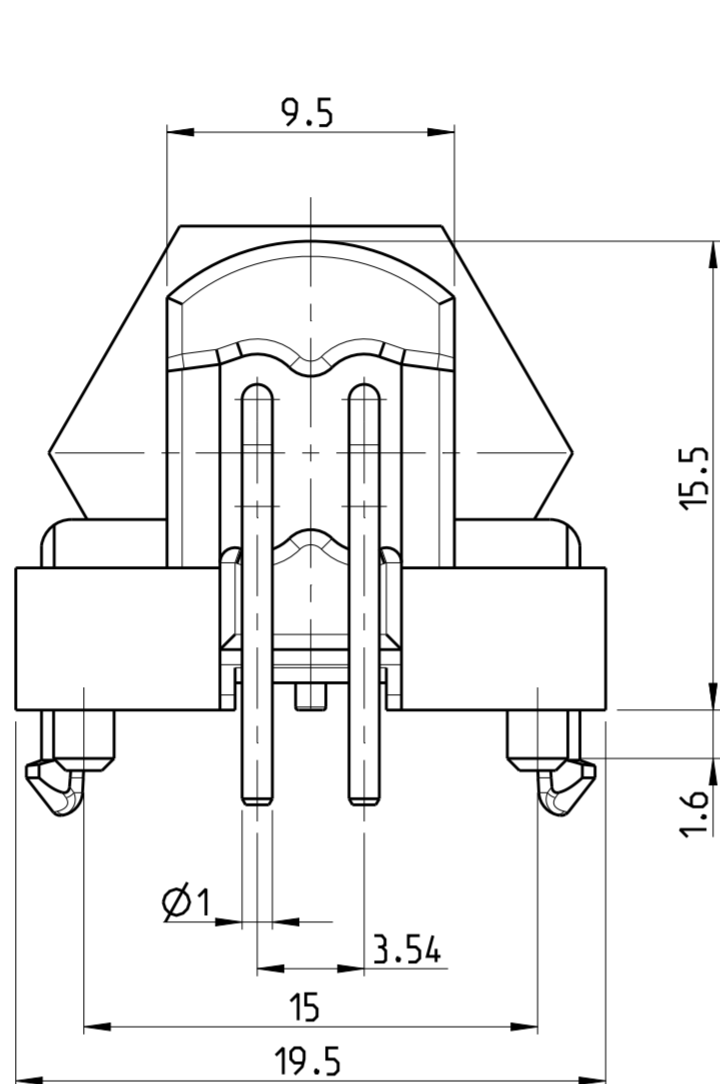
PROJEKT NR.:
 PRJ-11-000004377

REVISIONS		DATE	DWN	APVD
ÄNDERUNGEN				
P	LTR	DESCRIPTION		
BESCHREIBUNG				
A		NEW RELEASE	27NOV2014	CR JK
A1		NUT SHELL AND 5P HOUSING PN INTRODUCED	23SEP2015	TJ NG

⚠ MATERIAL: ITEM NO. 1: NUT SHELL - CuZn (BRASS, NICKEL PLATED)
 ITEM NO. 2: HOUSING - PA
 ITEM NO. 3: CONTACT - CuZn (BRASS)
 CONTACT FINISH - Au (GOLD)

2 ALL DIMENSIONS ARE FOR NOMINAL REFERENCE ONLY UNLESS OTHERWISE STATED

TECHNICAL DATA	3-2172079-2	4-2172079-2	5-2172079-2
RATED VOLTAGE	250V	125V	60V
RATED IMPULSE VOLTAGE	2500V	1500V	800V
POLLUTION DEGREE	3	3	3
OVERVOLTAGE CATEGORY	II	II	II
MATERIAL GROUP	III	III	III
RATED CURRENT	4A	4A	2A
VOLUME RESISTIVITY	≤ 3mΩ	≤ 3mΩ	≤ 3mΩ
DEGREE OF PROTECTION	IP68	IP68	IP68
UPPER TEMPERATURE	+85 °C	+85 °C	+85 °C
LOWER TEMPERATURE	-40 °C	+40 °C	+40 °C

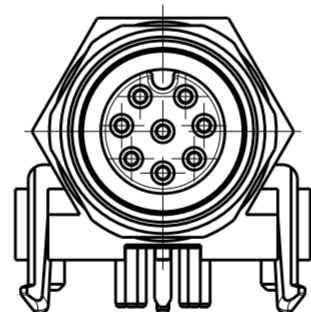
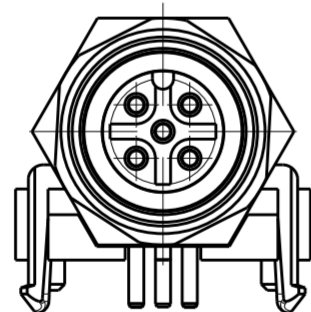
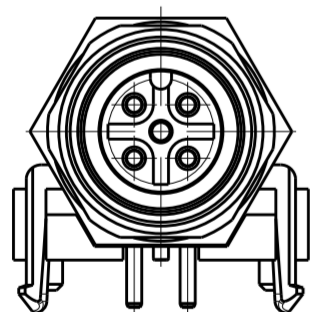


PIN ARRANGEMENT
 A-CODING (SCALE 2:1)

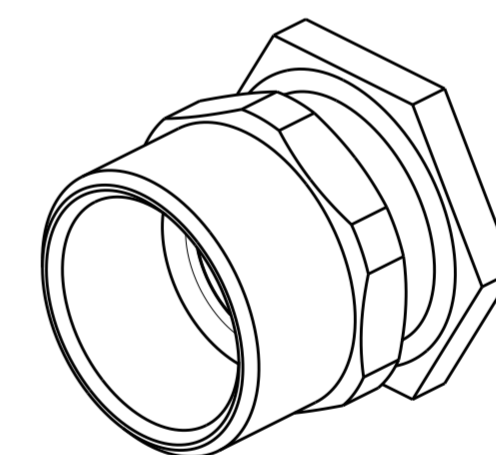
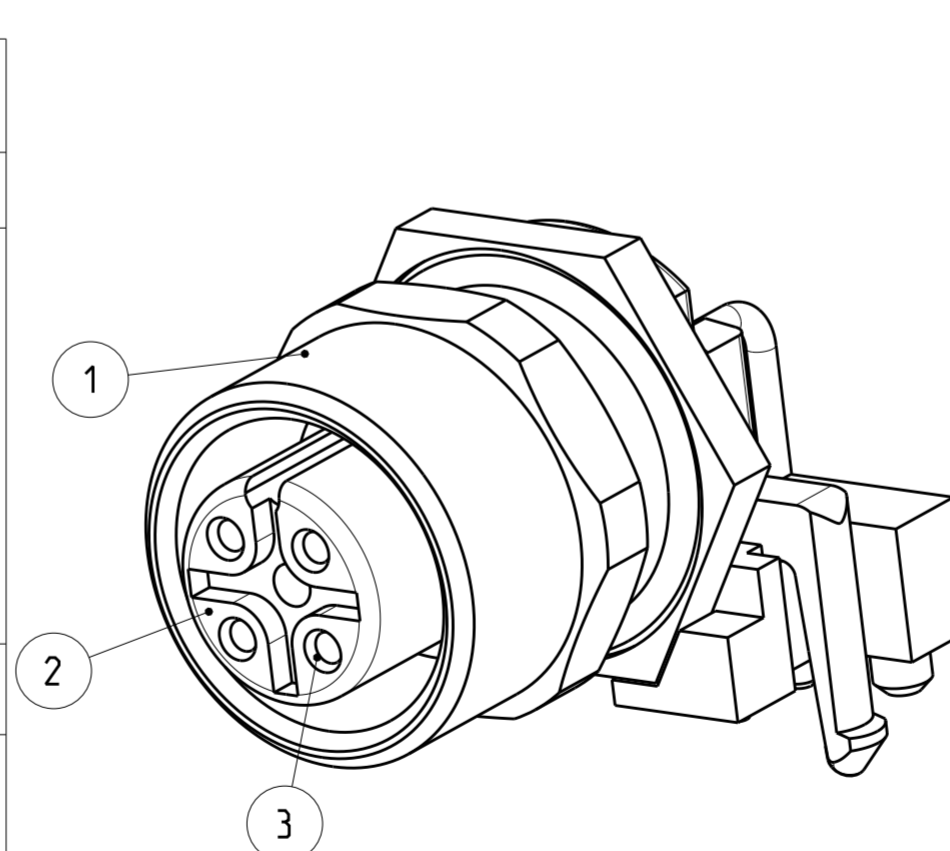
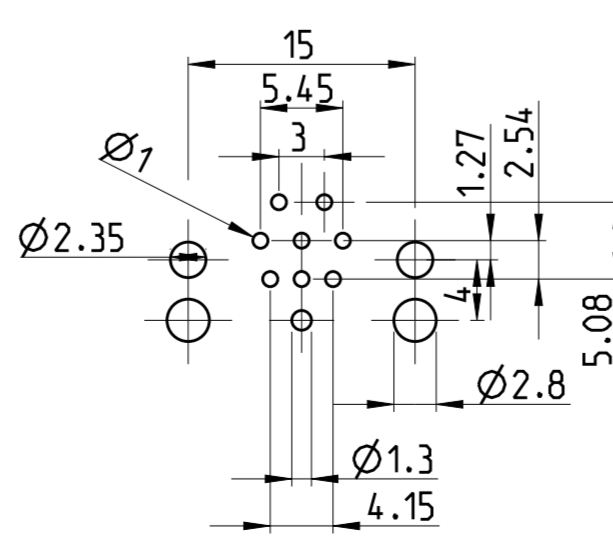
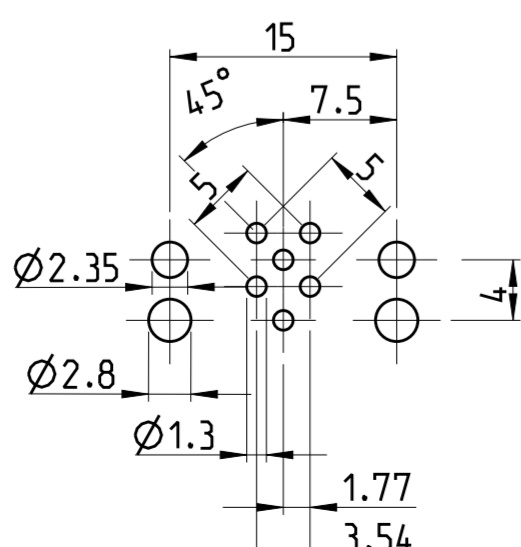
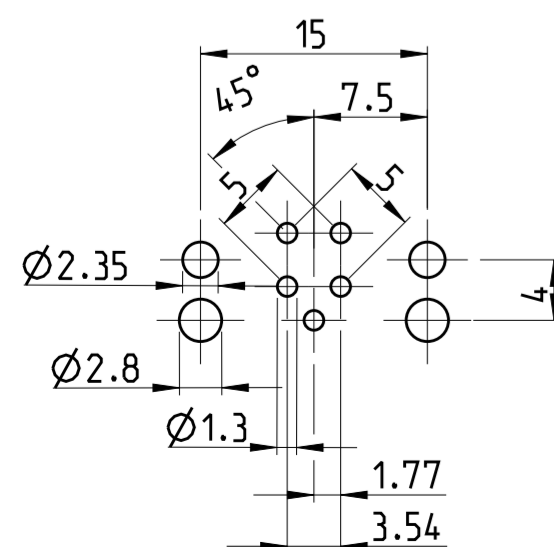
3-2172079-2

4-2172079-2

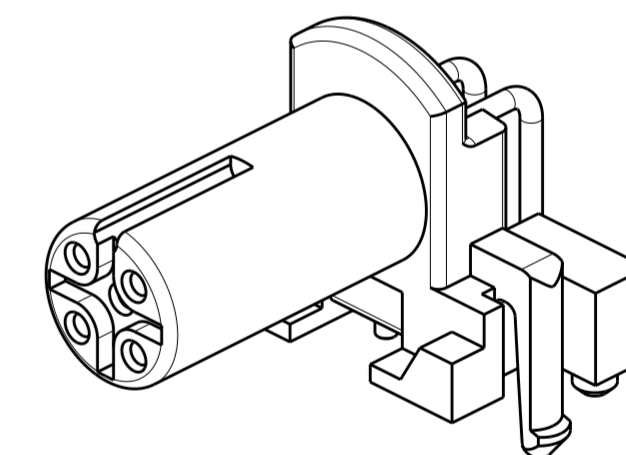
5-2172079-2



CONDUCTOR LAYOUT



NUT SHELL
 PN 2172079-3



REFER TABLE FOR
 HOUSING PN

ALSO SOLD SEPARATELY

⚠	8	5-2172079-2	
⚠	5	4-2172079-2	4-2172079-3
⚠	4	3-2172079-2	
MATERIAL	NUMBER OF POLES	PART NUMBER	HOUSING PN

DIMENSIONS: MASSEINHEITEN: [mm]		TOLERANCES UNLESS OTHERWISE SPECIFIED: ALLGEMEINTOLERANZEN
0 PLC	±	
1 PLC	±	
2 PLC	±	
3 PLC	±	
4 PLC	±	
ANGLES/WINKEL	±	
FINISH/OBERFLÄCHE/FARBE		

DWN	YASHKUMAR	09AUG2014
CHK	M. BRUBAKER	09AUG2014
APVD	M. BRUBAKER	09AUG2014
PRODUCT SPEC	108-19483	
APPLICATION SPEC	114-32127	
WEIGHT	-	
Customer Drawing		

STE TE Connectivity			
NAME: M12 RECEPTACLE, FEMALE, PCB MOUNT, PANEL MOUNT, ANGLED, SHIELDED, WITH STANDOFF, A-CODED			
SIZE	CAGE CODE	DRAWING NO	RESTRICTED TO
A2	00779	C-2172079	MUR FÜR
/KUNDENZEICHNUNG		SCALE	SHEET
		MASSSTAB	BLATT
		3:1	1 OF 1
		REV	A1

SIZE ISO 14405 (E)