

5-160446-5 ✓ ACTIVE

FASTIN-FASTON | FASTIN-FASTON 250

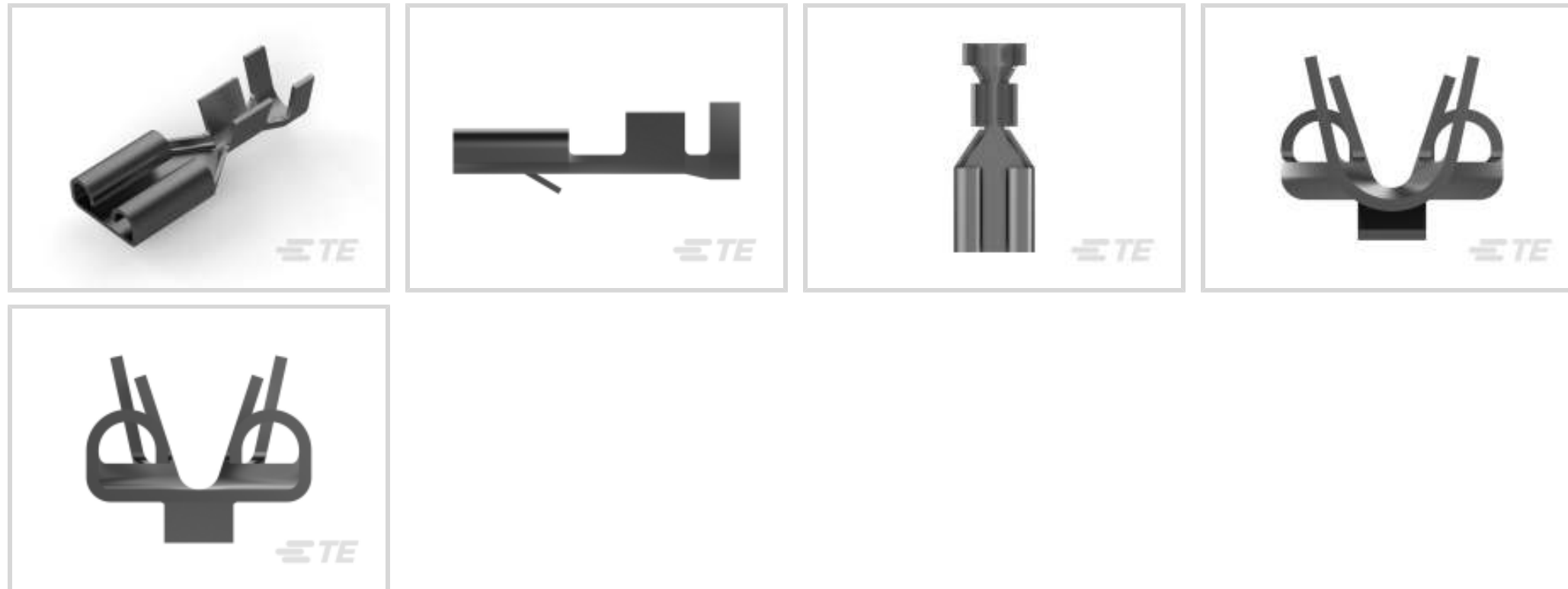
TE Internal #: 5-160446-5

Quick Disconnects, Receptacle, 17 – 13 AWG Wire Size, 1.03 – 2.62 mm² Wire Size, Mating Tab Width 6.35 mm [.25 in], Straight, Brass, FASTIN-FASTON 250

[View on TE.com >](#)



Terminals & Splices > Quick Disconnects



Quick Disconnect Terminal Type: **Receptacle**

Wire Size: 1.03 – 2.62 mm²

Mating Tab Width: 6.35 mm [.25 in]

Mating Tab Thickness: .81 mm [.032 in]

Features

Product Type Features

Insertion Force	Normal
-----------------	--------

Configuration Features

Connection Capacity	Single
Compatible With Wire & Cable Type	Discrete Wire

Contact Features

Quick Disconnect Terminal Type	Receptacle
Mating Tab Width	6.35 mm [.25 in]
Mating Tab Thickness	.81 mm [.032 in]
Terminal Orientation	Straight
Contact Base Material	Brass
Terminal Plating Material	Tin
Crimp Type	F-Crimp
Barrel Type	Open

Termination Features



Product Terminates To	Wire & Cable
-----------------------	--------------

Mechanical Attachment

Wire Insulation Support	With
Mating Retention Type	Locking Lance

Dimensions

Terminal Material Thickness	.41 mm[.016 in]
Product Length	19.2 mm[.756 in]
Compatible Insulation Diameter Range	3.1 – 4.1 mm[.122 – .161 in]
Wire Size	1.03 – 2.62 mm ²

Usage Conditions

Insulation Option	Uninsulated
Operating Temperature Range	-40 – 110 °C[-40 – 230 °F]

Packaging Features

Packaging Quantity	5000
Packaging Method	Strip/Reel

Other

Terminals & Splices Comment	"According to DIN 46340, Part 3", Chamfered, For connections with less than 4 contacts., With dimple
-----------------------------	--

Product Compliance

[For compliance documentation, visit the product page on TE.com>](#)

EU RoHS Directive 2011/65/EU	Compliant
EU ELV Directive 2000/53/EC	Compliant
China RoHS 2 Directive MIIT Order No 32, 2016	No Restricted Materials Above Threshold
EU REACH Regulation (EC) No. 1907/2006	Current ECHA Candidate List: JUNE 2023 (235) Candidate List Declared Against: JUNE 2023 (235) Does not contain REACH SVHC
Halogen Content	Low Halogen - Br, Cl, F, I < 900 ppm per homogenous material. Also BFR/CFR/PVC Free
Solder Process Capability	Not applicable for solder process capability

Product Compliance Disclaimer

This information is provided based on reasonable inquiry of our suppliers and represents our current actual knowledge based on the information they provided. This information is subject to change. The part numbers that TE has identified as EU RoHS compliant have a maximum concentration of 0.1% by weight in homogenous materials for lead, hexavalent chromium, mercury, PBB, PBDE, DBP, BBP, DEHP, DIBP, and 0.01% for cadmium, or qualify for an exemption to these limits as defined in the Annexes of Directive 2011/65/EU (RoHS2). Finished electrical and electronic equipment products will be CE marked as required by Directive 2011/65/EU. Components may not be CE marked. Additionally, the part numbers that TE has identified as EU ELV compliant have a maximum concentration of 0.1% by weight in homogenous materials for lead, hexavalent chromium, and mercury, and 0.01% for cadmium, or qualify for an exemption to these limits as defined in the Annexes of Directive 2000/53/EC (ELV). Regarding the REACH Regulation, the information TE provides on SVHC in articles for this part number is based on the latest European Chemicals Agency (ECHA) 'Guidance on requirements for substances in articles' posted at this URL: <https://echa.europa.eu/guidance-documents/guidance-on-reach>

Compatible Parts



TE Part # 1-1579007-4
EXTRACTION TOOL



TE Part # 4-1579007-3
EXTRACTION TOOL KIT



TE Part # 175042-1
FF 187 REC 2-3MM2 TPBR



TE Part # 626328-2
FF 250 RECEPTACLE 4.0-6.0 MM2 TPBR



TE Part # 175040-1
FF 187 REC 0.5-1.25MM2 TPBR



TE Part # 63467-1
FF 250 REC 14-10AWG TPBR



TE Part # 180398-2
FF 250 REC 1-2.5MM2 TPBR



TE Part # 2-2150235-1
OCEAN_2.0_Applicator-E-110F180F



TE Part # 2-2150235-2
OCEAN_2.0_Applicator-E-110F180F



TE Part # 2150235-1
OCEAN_2.0_Applicator-E-110F180F



TE Part # 2150235-2
OCEAN_2.0_Applicator-E-110F180F



TE Part # 626328-1
FF 250 RECEPTACLE 4.0-6.0 MM2 BR



TE Part # 7-2150235-1
OCEAN_2.0_Applicator-E-110F180F



TE Part # 7-2150235-2
OCEAN_2.0_Applicator-E-110F180F



TE Part # 7-2150235-7
OCEAN_2.0_SPARE_PART_KIT-110F180F



Also in the Series | FASTIN-FASTON 250



Crimp Terminal Housings(211)



Insertion & Extraction Tools(2)

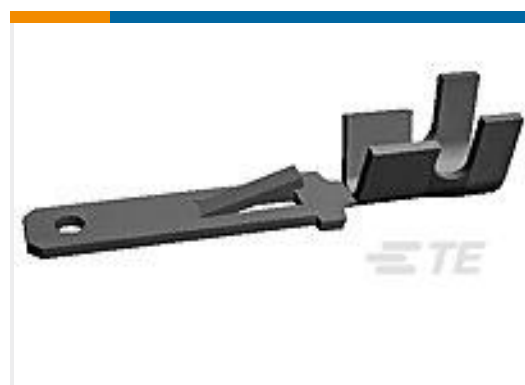


PCB Terminals(2)



Quick Disconnects(254)

Customers Also Bought



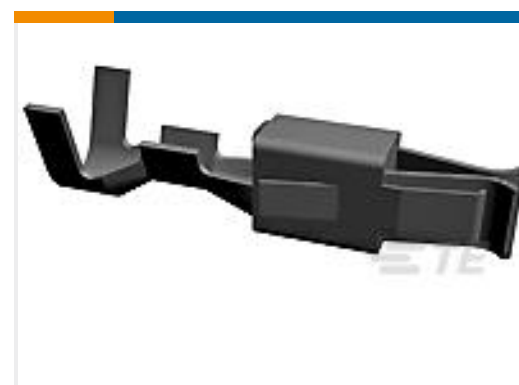
TE Part #42460-2
FF 250 TAB 18-14AWG TPBR



TE Part #T1519101000-000
H10A-ADMS



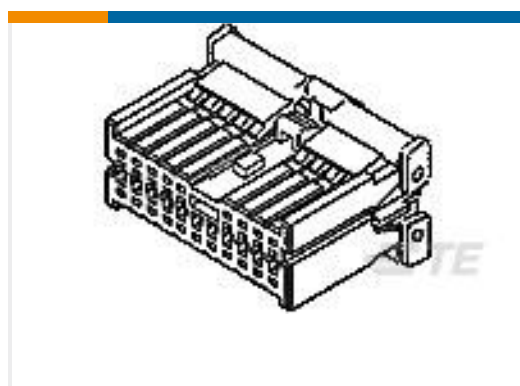
TE Part #6-967630-1
FLACHSTE-GEH2,8 21P



TE Part #927766-1
JPT REC 2.8 Contact SWS Sn



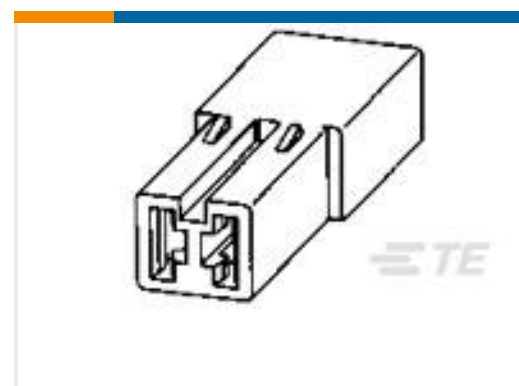
TE Part #1-2369516-1
18POS,TAB1.6X0.6,HDR ASSY,
180DEG,COD A



TE Part #1123379-1
040-3 MLC PLUG HSG ASSY 20P



TE Part #1241374-3
AMP MCP 1.5K, CONTACT



TE Part #280543
FF 250 REC HSG 2P NYLON NAT



TE Part #3-1768036-1
PRP35-20GE



TE Part #2-2292405-0
20P RCPT VAL-U-LOK GW BLUE

Documents

Product Drawings

[FF 250 REC 1.0-2.5MM2 TBRR](#)

English

CAD Files

[3D PDF](#)

[3D](#)



Customer View Model

[ENG_CVM_CVM_5-160446-5_AP_c-5-160446-5-ap.2d_dxf.zip](#)

English

Customer View Model

[ENG_CVM_CVM_5-160446-5_AP_c-5-160446-5-ap.3d_igs.zip](#)

English

Customer View Model

[ENG_CVM_CVM_5-160446-5_AP_c-5-160446-5-ap.3d_stp.zip](#)

English

By downloading the CAD file I accept and agree to the [Terms and Conditions](#) of use.

Product Specifications

[Application Specification](#)

English

[EB**General Application Specification for Open Barrel Terminals](#)

English

[Application Specification](#)

English

Product Environmental Compliance

[Product Compliance](#)

English

[Product Compliance](#)

English