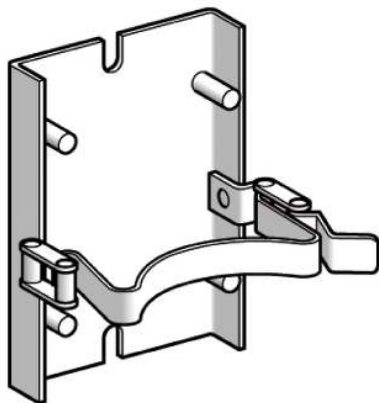


XCRZ09

Limit switches XC Standard, quick fixing release bracket, quick fixing release bracket, for XCRA,B, E, F



Main

Range of Product	OsiSense XC
Series name	Special format
Accessory / separate part designation	Quick fixing release bracket
Accessory / separate part destination	XCRA XCRA XCRE XCRF
Accessory / separate part category	Fixing accessories

Complementary

Net Weight	1.15 lb(US) (0.52 kg)
------------	-----------------------

Ordering and shipping details

Category	22449-LIMIT SWITCHES,ACCESSORIES
Discount Schedule	T
GTIN	3389110606140
Nbr. of units in pkg.	1
Package weight(Lbs)	19.05 oz (540.0 g)
Returnability	No
Country of origin	FR

Packing Units

Unit Type of Package 1	PCE
Package 1 Height	4.92 in (12.5 cm)
Package 1 width	2.76 in (7 cm)
Package 1 Length	5.51 in (14 cm)

Offer Sustainability

California proposition 65	WARNING: This product can expose you to chemicals including: Diisononyl phthalate (DINP), which is known to the State of California to cause cancer, and Di-isodecyl phthalate (DIDP), which is known to the State of California to cause birth defects or other reproductive harm. For more information go to www.P65Warnings.ca.gov
REACH Regulation	REACH Declaration
EU RoHS Directive	Not applicable, out of EU RoHS legal scope
Environmental Disclosure	Product Environmental Profile

Contractual warranty

Warranty	18 months
----------	-----------