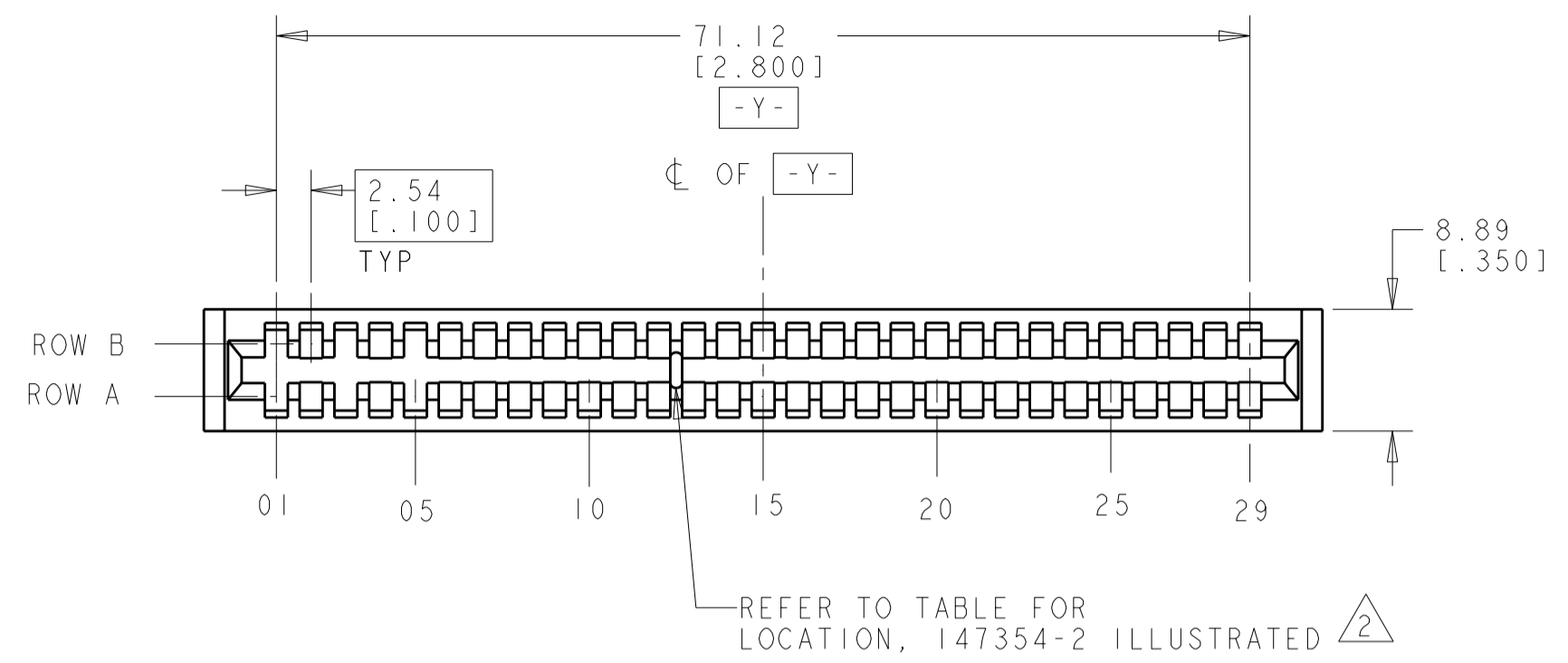
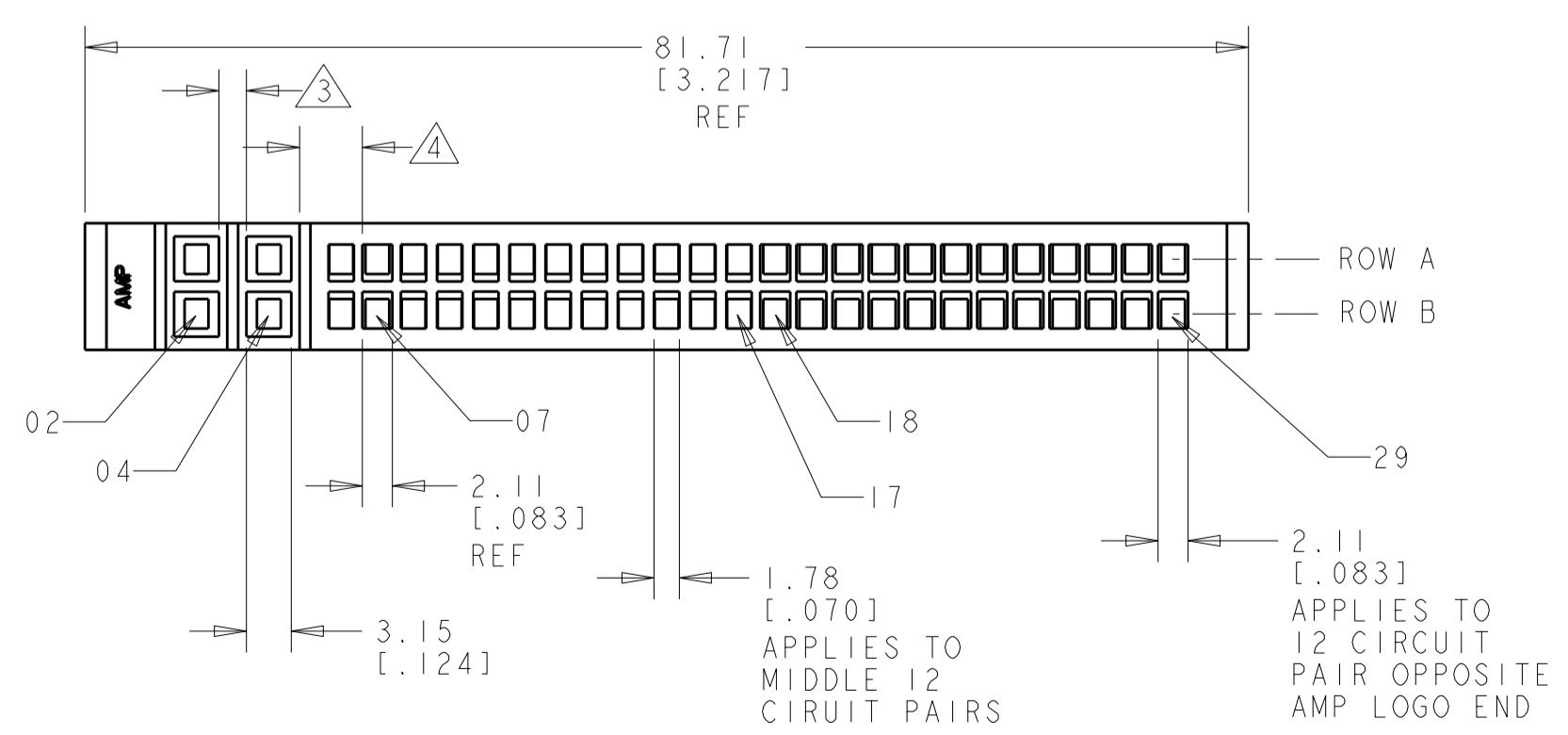
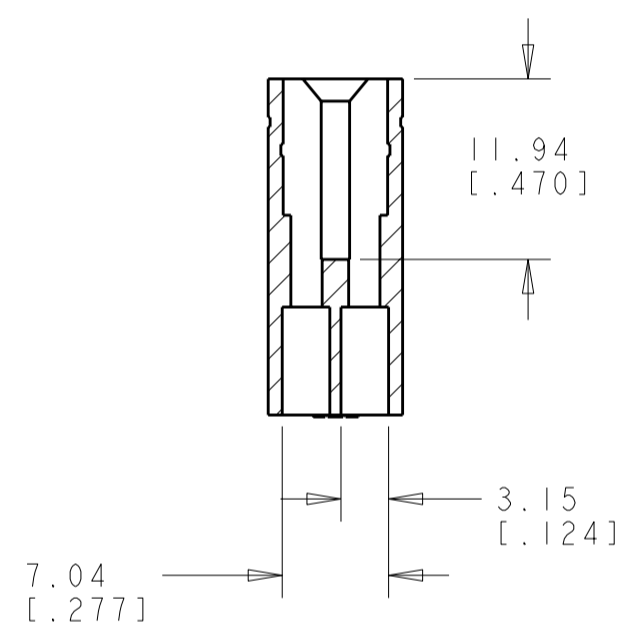
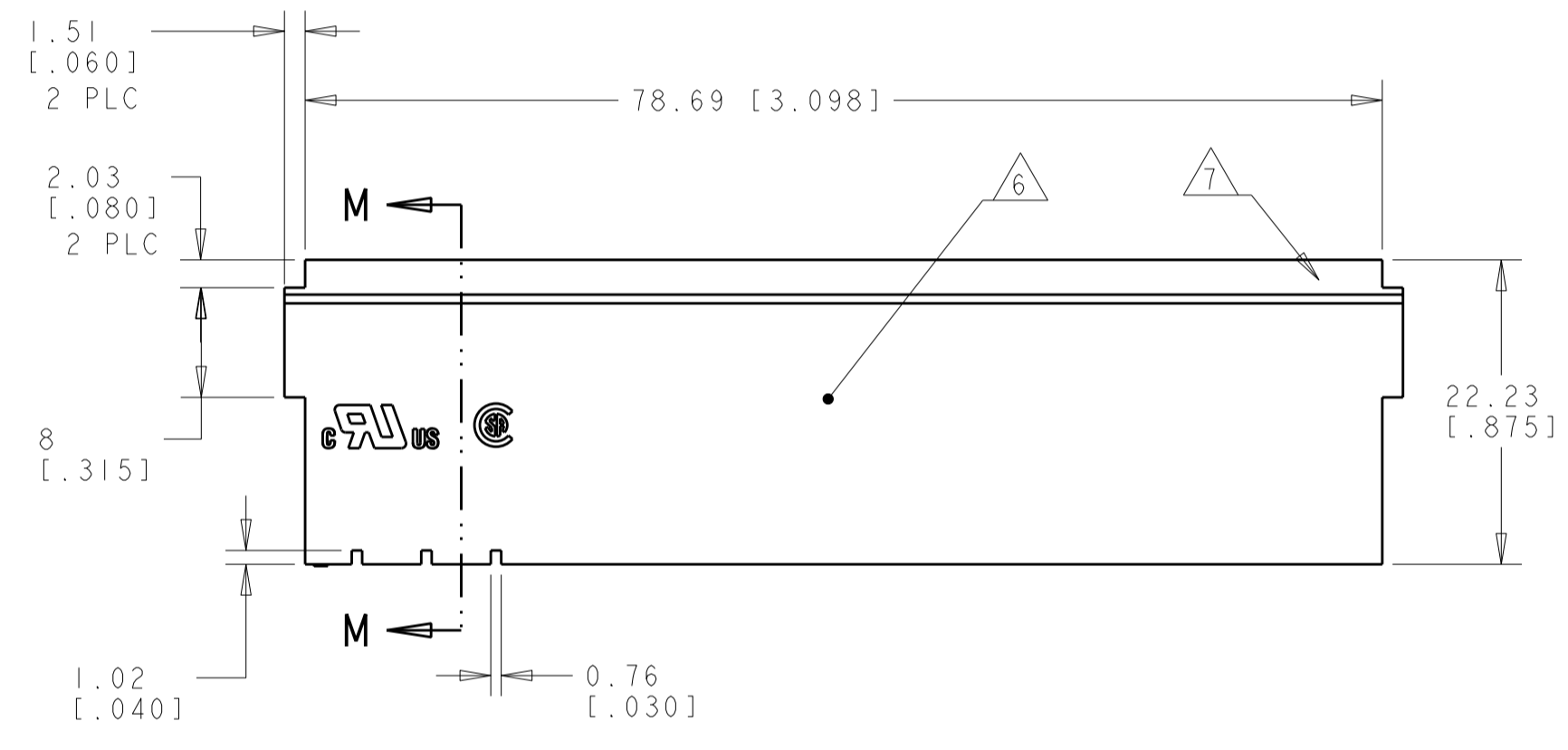


LOC	DIST	REVISIONS			
P	LTR	DESCRIPTION	DATE	DWN	APVD
AD	00	V	ADDED: -13 PER EC 0S1B-0114-01	19NOV2001	DD NN
		VI	REVISED PER ECO-09-027197	10DEC2009	KK AEG



- 1. HOUSING MATERIAL: GLASS FILLED POLYESTER, COLOR-BLACK.
- 2. SEE TABLE.
- 3. CREEPAGE DISTANCE = 3.3[.130].
- 4. CREEPAGE DISTANCE = 6.35[.250].
- 5. NOT RELEASED FOR PRODUCTION.
- 6. HOUSING PART NUMBER AND DATE CODE MARKED IN THIS AREA ON EITHER SIDE OF HOUSING.
- 7. OPTIONAL PULL GROOVE, SIZE AND LOCATION AT DISCRETION OF AMP.
- 8. OBSOLETE PARTS: OBSOLETE CIS STREAMLINING PER D.RENAUD/D.SINISI



NO OF POSN	PART NUMBER
18,19	1-147354-3
19,20	1-147354-2
17,18	1-147354-1
16,17	1-147354-0
14,15	147354-8
13,14	147354-7
10,11	147354-6
11,12	147354-5
8,9	147354-4
15,16	147354-3
12,13	147354-2
9,10	147354-1

KEY POSITION LOCATED BETWEEN CIRCUITS
 NO OF POSN
 PART NUMBER

THIS DRAWING IS A CONTROLLED DOCUMENT FOR TYCO ELECTRONICS CORPORATION IT IS SUBJECT TO CHANGE AND THE CONTROLLING ENGINEERING ORGANIZATION SHOULD BE CONTACTED FOR THE LATEST REVISION.

DWN B. HAYMAKER 09MAR2000
 CHK R. BENDORE 09MAR2000
 APVD R. BENDORE 09MAR2000

tyco Tyco Electronics Corporation
 Harrisburg, PA 17105-3608

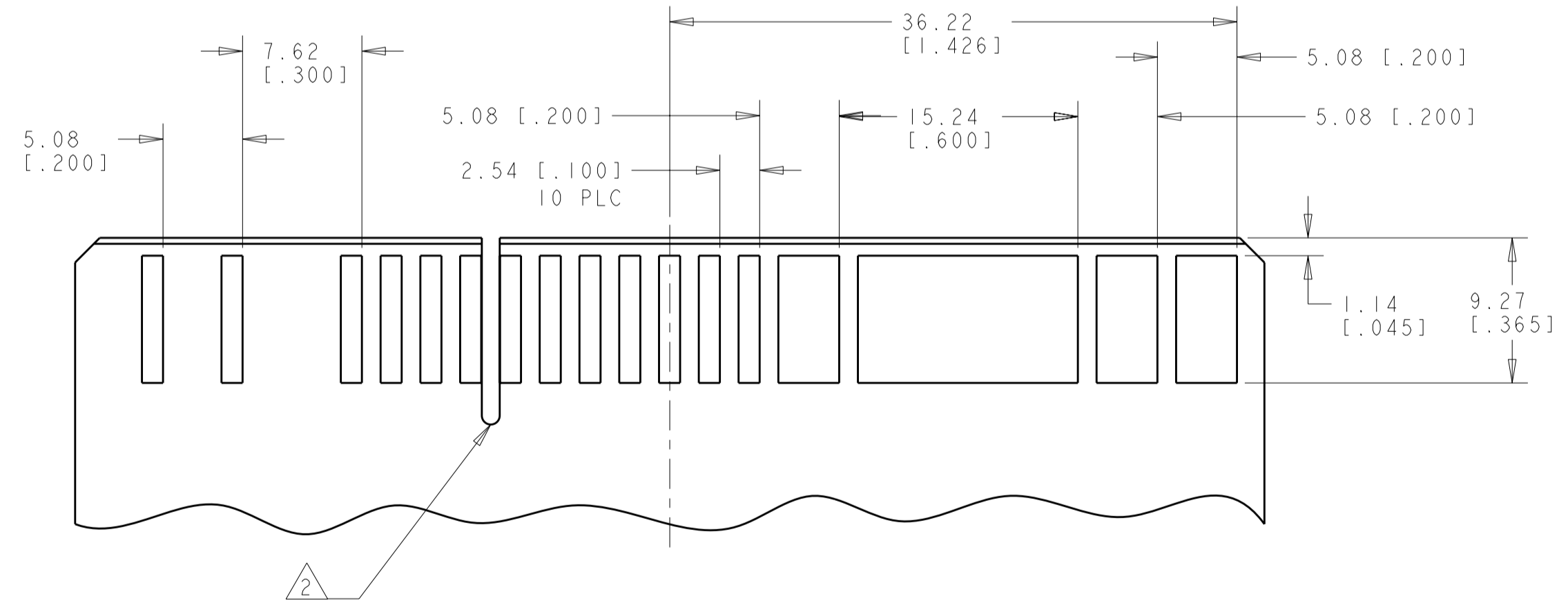
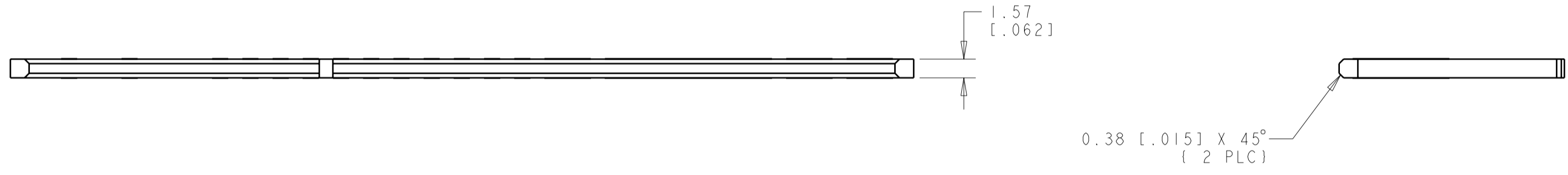
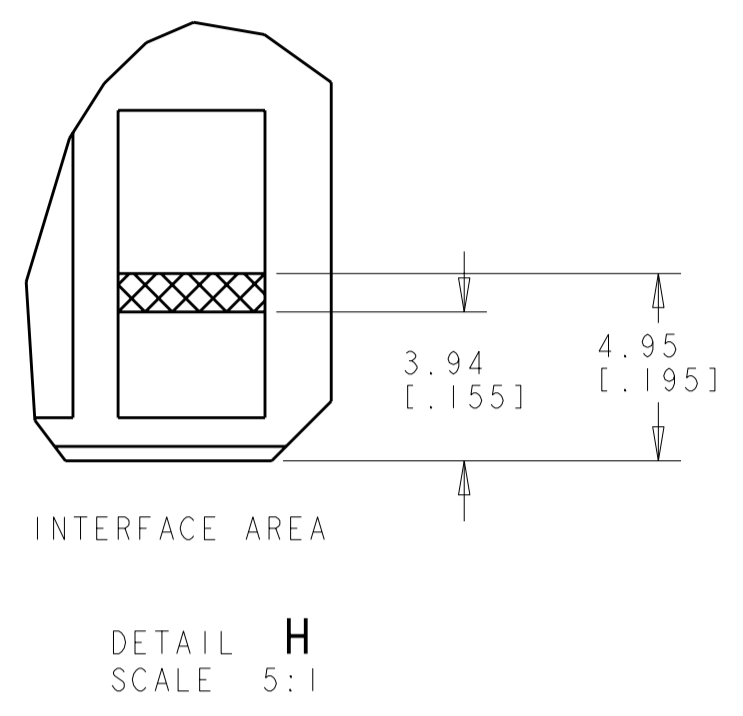
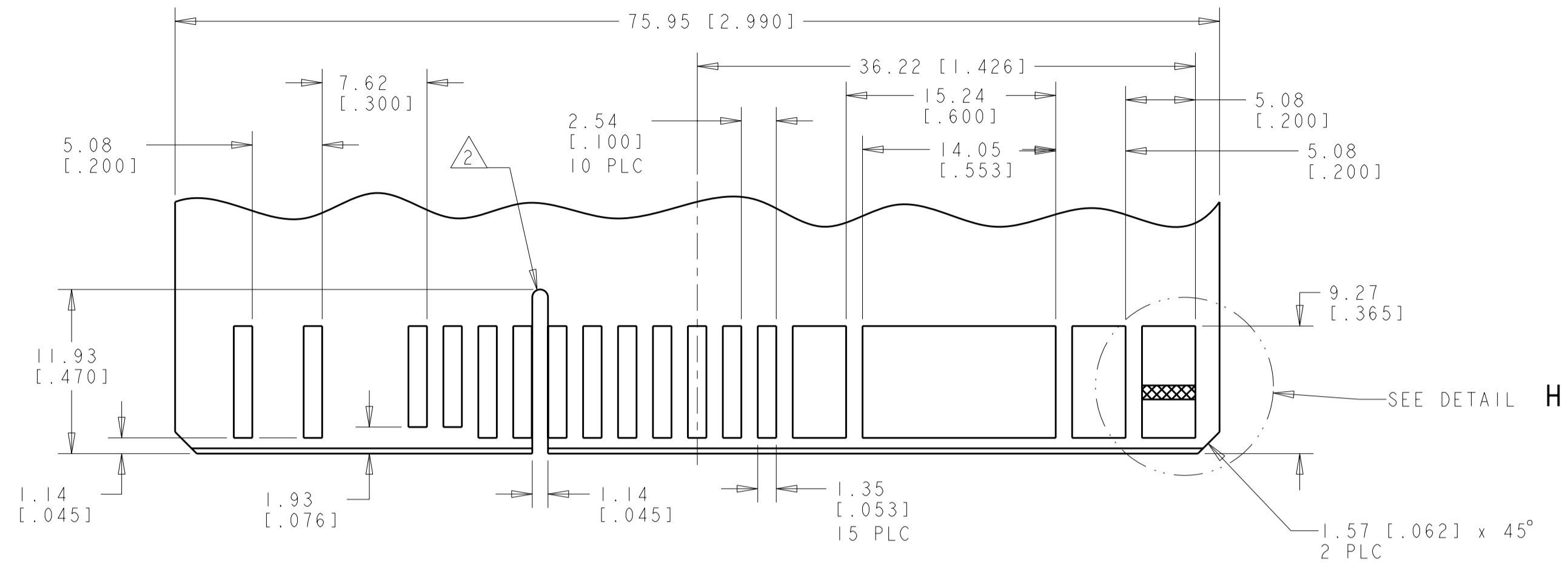
NAME HOUSING, CRIMP SNAP TWIN LEAF, .100 CENTERLINE X

SIZE A2 CAGE CODE 00779 DRAWING NO C-147354 RESTRICTED TO -

MATERIAL - FINISH - WEIGHT - CUSTOMER DRAWING SCALE 1:1 SHEET 1 OF 2 REV VI

THIS DRAWING IS UNPUBLISHED. RELEASED FOR PUBLICATION 20
 © COPYRIGHT 20 BY TYCO ELECTRONICS CORPORATION. ALL RIGHTS RESERVED.

LOC	DIST	REVISIONS			
P	LTR	DESCRIPTION	DATE	DWN	APVD
AD	00	SEE SHEET 1			



RECOMMENDED ETCHED CIRCUIT

<small>THIS DRAWING IS A CONTROLLED DOCUMENT FOR TYCO ELECTRONICS CORPORATION. IT IS SUBJECT TO CHANGE AND THE CONTROLLING ENGINEERING ORGANIZATION SHOULD BE CONTACTED FOR THE LATEST REVISION.</small>		DWN B. HAYMAKER 09MAR2000 CHK R. BENDORE 09MAR2000 APVD R. BENDORE 09MAR2000	tyco Tyco Electronics Corporation Harrisburg, PA 17105-3608
DIMENSIONS: mm [INCHES]	TOLERANCES UNLESS OTHERWISE SPECIFIED: 0 PLC ± 1 PLC ± 2 PLC ±0.13 [.005] 3 PLC ± 4 PLC ± ANGLES ± FINISH	PRODUCT SPEC APPLICATION SPEC WEIGHT CUSTOMER DRAWING	NAME HOUSING, CRIMP SNAP TWIN LEAF, .100 CENTERLINE X SIZE A200779 CAGE CODE C-147354 DRAWING NO. 147354 RESTRICTED TO
MATERIAL -		SCALE 3:1	SHEET 2 OF 2 REV. 1

147354