

NOTES

- 1 材料及び仕上げ(めっき仕様) : TABLE 1 参照  
MATERIAL AND FINISHES : SEE TABLE 1
- 2 製品仕様書 : 5011890000-PS 001  
PRODUCT SPECIFICATION:
- 3 梱包形態 : SEE SHEET 3  
PACKAGING INFORMATION:
- 4 嵌合相手 : 501189 シリーズ  
MATES WITH:501189 SERIES
- 5 アプリケーション仕様書(コネクタ取扱い説明書) : 5011890000-AS 000  
APPLICATION SPECIFICATION(CONNECTOR MANUAL):
- 6 ソルダピン及びネイルの平坦度:0.1 mm MAX.  
SOLDER PIN AND NAIL COPLANARITY: 0.1 mm MAX.
- 7 極数/2=偶数に適応  
APPLICABLE FOR CIRCUIT SIZE/2 = EVEN
- 8 本製品は複数の金めっき厚を展開しております。その他の金めっき厚は以下の図面を御参照下さい。  
THIS PRODUCT EXIST MULTIPLE GOLD PLATING.  
PLEASE REFER TO THE FOLLOWING DRAWING FOR OTHER GOLD PLATING THICKNESS.

GOLD PLATING THICKNESS [MICRO-METER MIN.]	SERIES No.	DRAWING No.
0.1	501190	5011900000-SD PSD 000
0.76	203565	2035650000-SD PSD 000

9 発注番号 : TABLE 2 参照  
ORDER No. : SEE TABLE 2

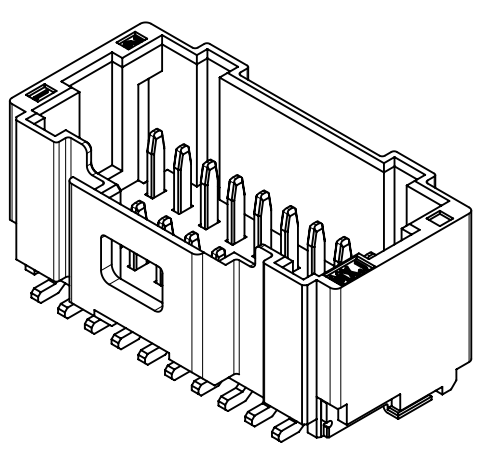
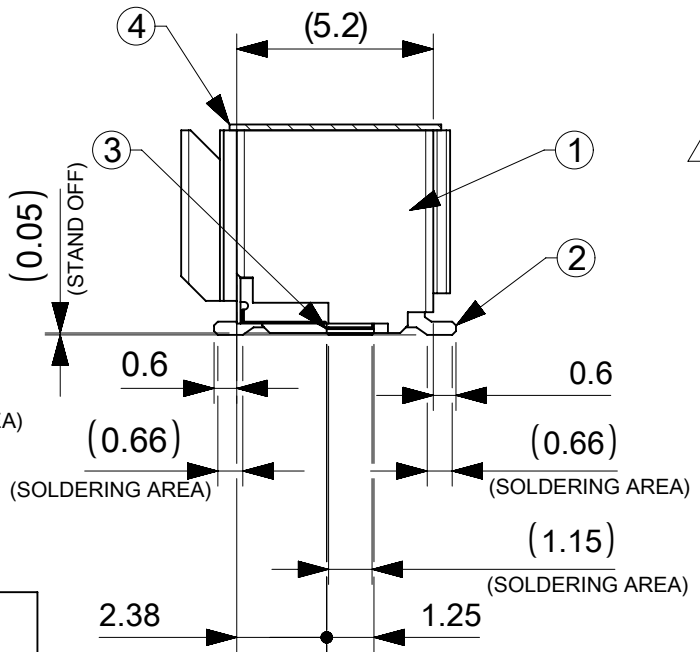
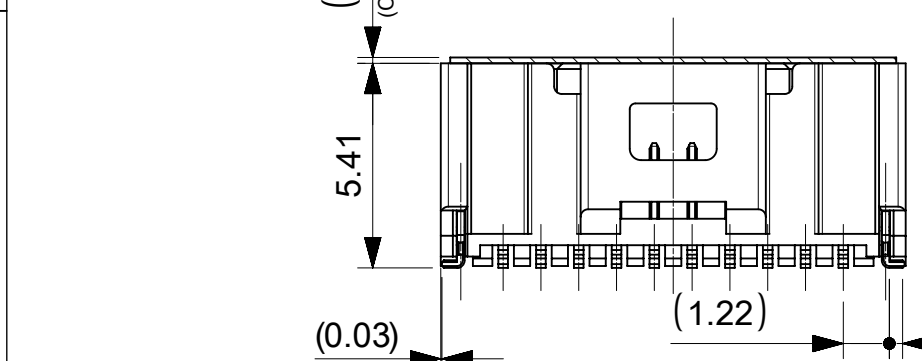
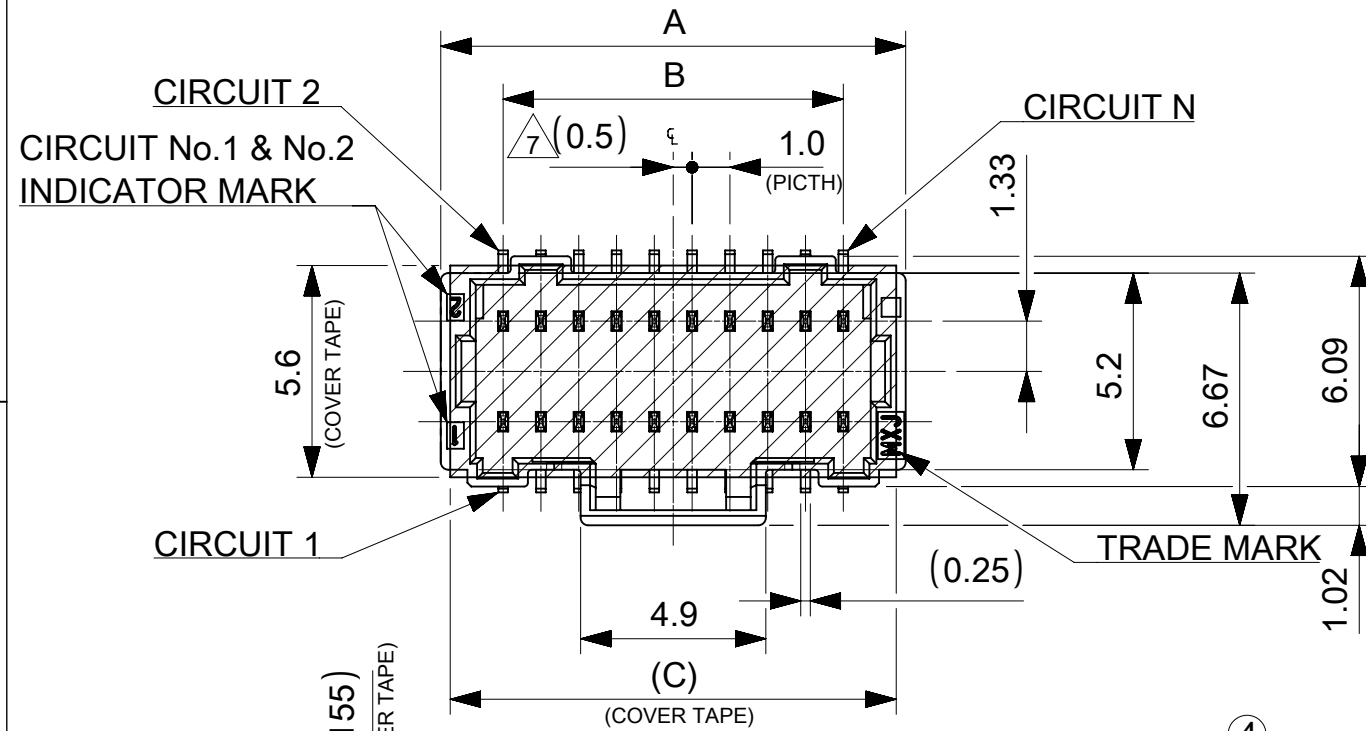
203564 \*\*\*

極数 CIRCUIT SIZE	ハウジングカラー HOUSING COLOR 1:NATURAL(BEIGE)	製品識別番号 IDENTIFICATION NUMBER 7:EMBOSSED PACKAGE
--------------------	---	---

9 TABLE 2

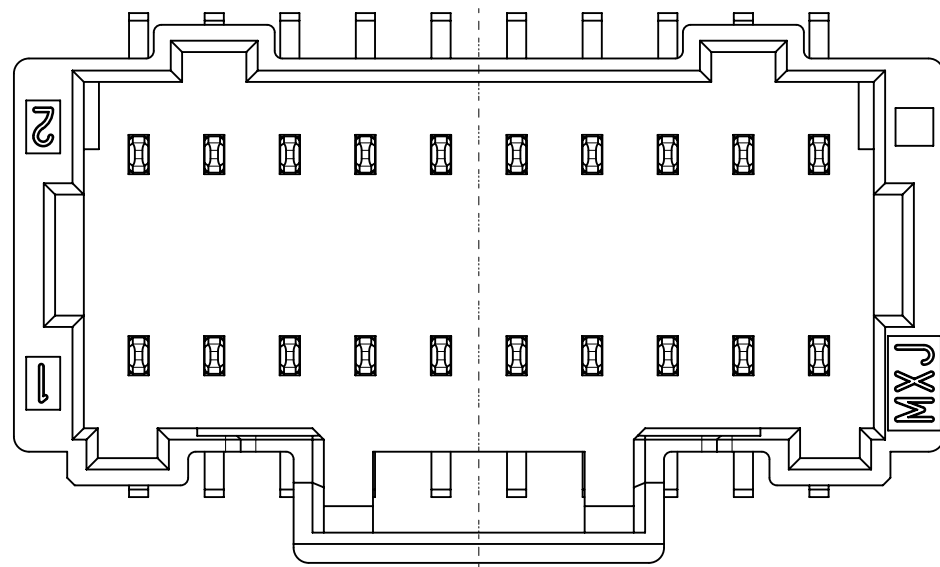
HOUSING COLOR			203564	5017	50
NATURAL(WHITE)					
26.8	24.0	27.3	203564	4017	40
21.8	19.0	22.3			
16.8	14.0	17.3			
11.8	9.0	12.3	203564	2017	20
C	B	A			
極数別 寸法 DIMENSION			発注番号 ORDER No.		極数 CIRCUIT SIZE
極数別 寸法 DIMENSION			梱包形態 : エンボスリール PACKAGE:EMBOSSED REEL		極数 CIRCUIT SIZE

THIS DRAWING CONTAINS INFORMATION THAT IS PROPRIETARY TO MOLEX ELECTRONIC TECHNOLOGIES, LLC AND SHOULD NOT BE USED WITHOUT WRITTEN PERMISSION					
DIMENSION UNITS		SCALE			
mm		NTS			
CURRENT REV DESC:					
GENERAL TOLERANCES (UNLESS SPECIFIED)					
ANGULAR TOL ± 3.0°					
4 PLACES ± 0.2					
3 PLACES ± 0.2					
2 PLACES ± 0.2					
1 PLACE ± 0.2					
0 PLACES ± 0.2					
DRAFT WHERE APPLICABLE MUST REMAIN WITHIN DIMENSIONS					
THIRD ANGLE PROJECTION		DRAWING		SERIES	
A3-SIZE		203564		SEE SHEET 5	
MATERIAL NUMBER			CUSTOMER		
2035640000-SD			PSD 000 B		
DOCUMENT NUMBER			DOC TYPE		
2035640000-SD			PSD 000 B		
SHEET NUMBER			1 OF 4		

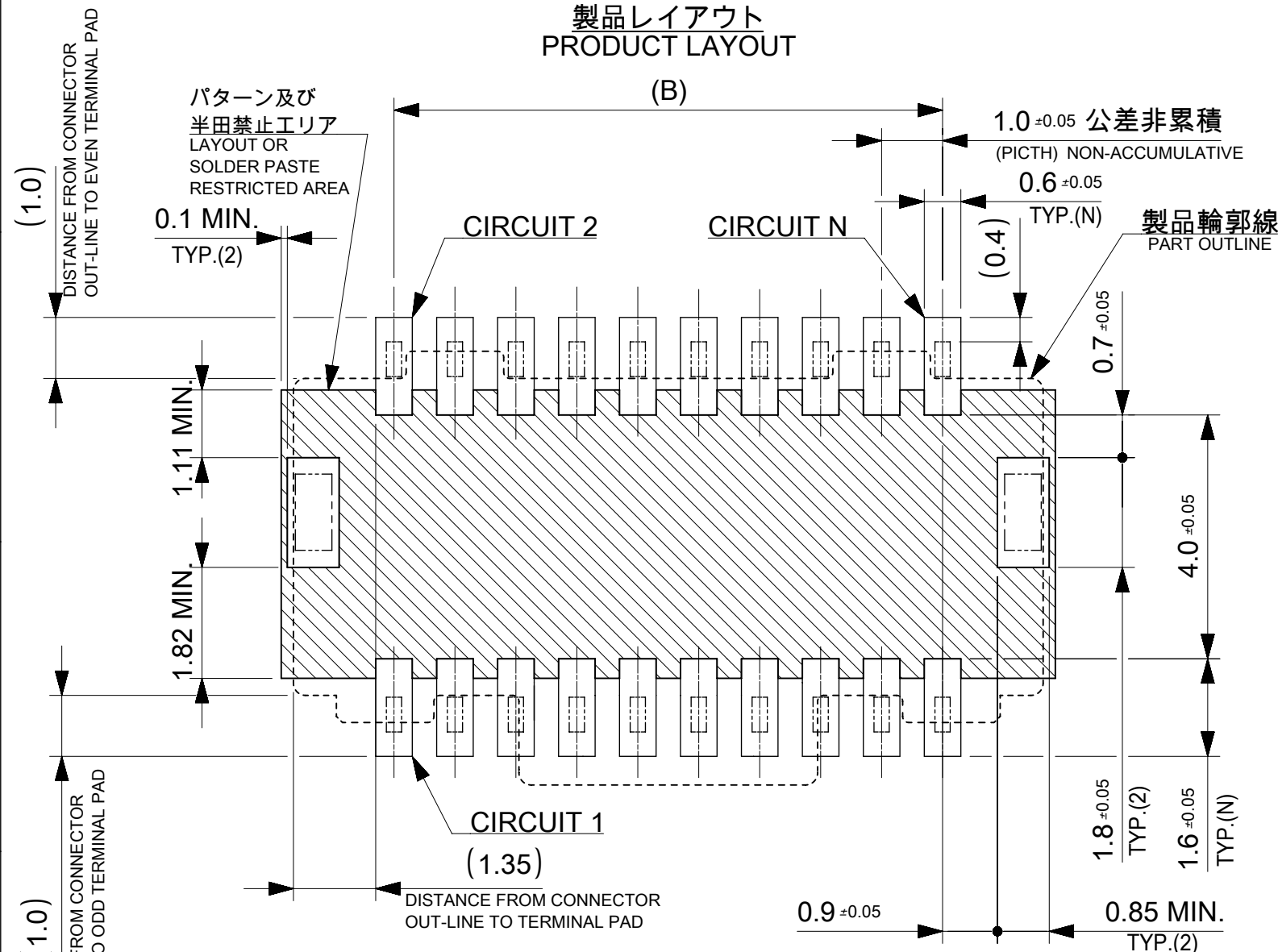


1 TABLE 1

番号 NO.	部品 PART	材質 MATERIAL	
1	ウエハー WAFER	ポリアミド(PA), UL94V-0, 色 : SEE TABLE 2 POLYAMIDE(PA), UL94V-0, COLOR : SEE TABLE 2	
2	ソルダピン SOLDER PIN	リン青銅 PHOSPHOR BRONZE	
		接点部 CONTACT AREA	金めっき : 0.38 MICRO-METER MIN. GOLD PLATING
		テール部 TAIL AREA	金めっき GOLD PLATING
3	ネイル NAIL	リン青銅 PHOSPHOR BRONZE	
		テール部 TAIL AREA	錫めっき : 1.0 MICRO-METER MIN. MATTE TIN PLATING
4	カバーテープ COVER TAPE	下地めっき UNDER PLATING	ニッケルめっき : 1.0 MICRO-METER MIN. NICKEL
		ポリイミドテープ POLYIMIDE TAPE	




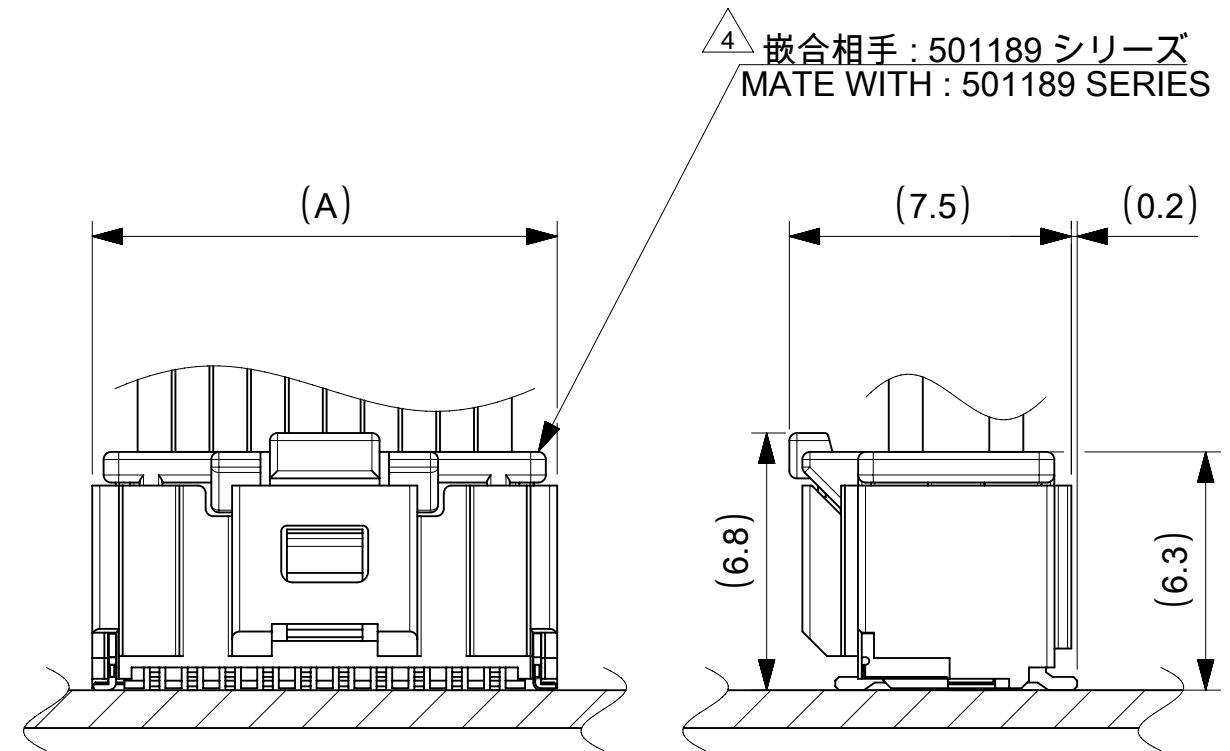
製品レイアウト  
PRODUCT LAYOUT



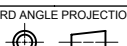
推奨基板レイアウト(全極数適応) : 実装面側  
(参考 : 基板厚 1.0mm, メタルマスク厚さ 0.12mm, マスク開口率100%)

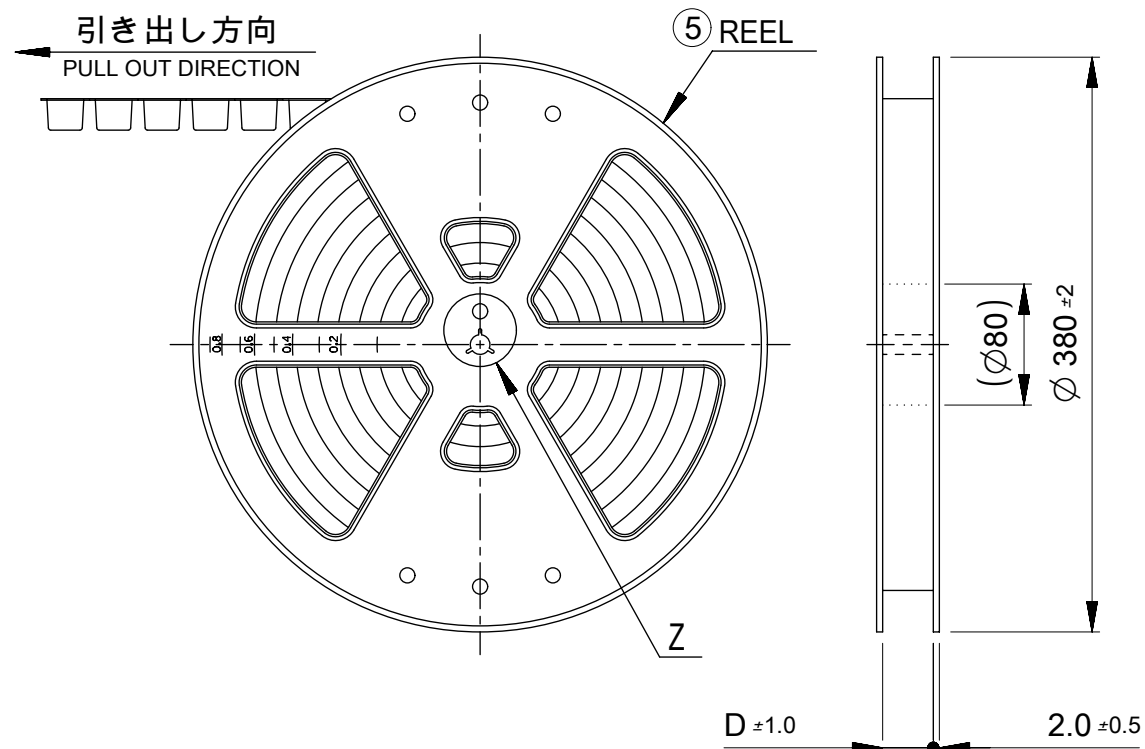
POLARIZED RECOMMENDED PCB LAYOUT(APPLY TO ALL CIRCUIT) : COMPONENT SIDE  
(REFERENCE: PCB THICKNESS 1.0mm, STENCIL THICKNESS 0.12mm, APERTURE RATIO 100%)

 :パターン禁止エリア  
RESTRICTED AREA  
NO PCB COMPONENTS ALLOWED



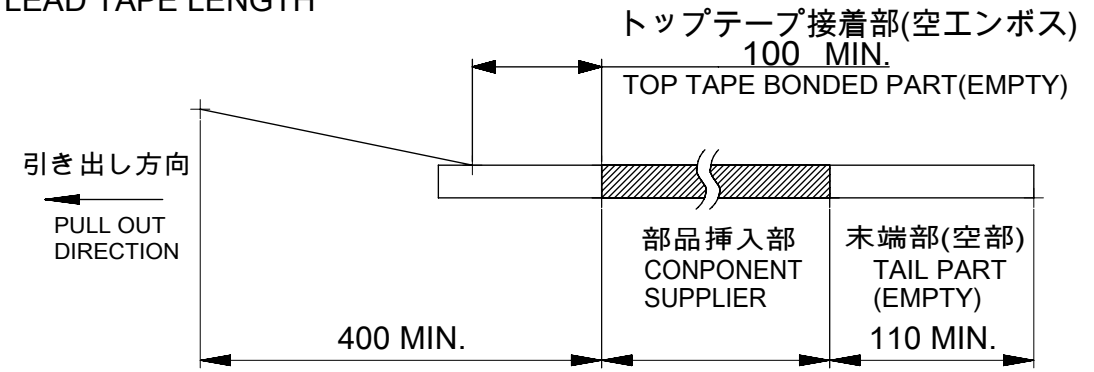
嵌合図  
MATED CONNECTORS

THIS DRAWING CONTAINS INFORMATION THAT IS PROPRIETARY TO MOLEX ELECTRONIC TECHNOLOGIES, LLC AND SHOULD NOT BE USED WITHOUT WRITTEN PERMISSION		CURRENT REV DESC:		<b>molex</b>	
DIMENSION UNITS	SCALE				
mm	NTS			PRODUCT CUSTOMER DRAWING	
GENERAL TOLERANCES (UNLESS SPECIFIED)		EC NO: 615136		DOCUMENT NUMBER	
ANGULAR TOL	± 3.0 °	DRWN: AISHIKAWA 2019/09/06		2035640000-SD	
4 PLACES	± 0.2	CHK'D: AIDA 2019/09/11		DOC TYPE	DOC PART
3 PLACES	± 0.2	APPR: SAKIYAMA 2019/09/17		PSD	000
2 PLACES	± 0.2	INITIAL REVISION:		REVISION	B
1 PLACE	± 0.2	DRWN: AISHIKAWA 2019/03/29			
0 PLACES	± 0.2	APPR: KOMURAKAMI 2019/04/03			
DRAFT WHERE APPLICABLE MUST REMAIN WITHIN DIMENSIONS	THIRD ANGLE PROJECTION	DRAWING	SERIES	MATERIAL NUMBER	CUSTOMER
		A3-SIZE	203564	SEE SHEET 5	
DOCUMENT STATUS		P1	RELEASE DATE	2019/09/17	08:20:57
SHEET NUMBER		2 OF 4			

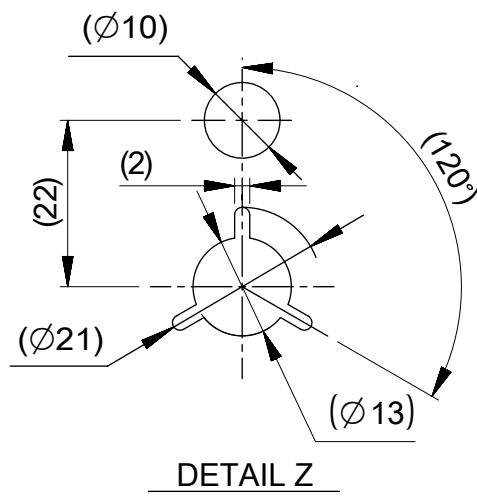


**NOTES**

- 10. 梱包数量:1100個/リール  
NUMBER OF CONNECTORS : 1100 PIECES/REEL
- 11. リードテープ長さ  
LEAD TAPE LENGTH



- 12. トップテープの剥離強度はIEC60286-3に準拠。  
TOP TAPE PEELING FORCE IS DEFINED BY IEC60286-3.
- 13. 梱包仕様書 : 2035649200 PS 200  
PACKAGE SPECIFICATION:



45.5	50
	40
33.5	30
25.5	20
D	極数 CIRCUIT SIZE

番号 NO.	部品 PART	材質 MATERIAL
⑤	リール REEL	ポリスチレン(PS) <リサイクル材を含む> POLYSTYRENE(PS) <RECYCLE MATERIAL CONTAINED>

DOCUMENT STATUS	P1	RELEASE DATE	2019/09/17	08:20:57
-----------------	----	--------------	------------	----------

THIS DRAWING CONTAINS INFORMATION THAT IS PROPRIETARY TO MOLEX ELECTRONIC TECHNOLOGIES, LLC AND SHOULD NOT BE USED WITHOUT WRITTEN PERMISSION		CURRENT REV DESC:		<b>molex</b>	
DIMENSION UNITS	SCALE				
mm	NTS			PICO-CLASP 1.0 W/B DUAL ROW VT SMT GOLD PLATING 0.38 MICRO-METER	
GENERAL TOLERANCES (UNLESS SPECIFIED)		EC NO: 615136		PRODUCT CUSTOMER DRAWING	
ANGULAR TOL	± 3.0 °	DRWN: AISHIKAWA	2019/09/06	DOCUMENT NUMBER	
4 PLACES	± 0.2	CHK'D: AIDA	2019/09/11	2035640000-SD	
3 PLACES	± 0.2	APPR: SAKIYAMA	2019/09/17	DOC TYPE	DOC PART
2 PLACES	± 0.2	INITIAL REVISION:		000	B
1 PLACE	± 0.2	DRWN: AISHIKAWA	2019/03/29	REVISION	
0 PLACES	± 0.2	APPR: KOMURAKAMI	2019/04/03		
DRAFT WHERE APPLICABLE MUST REMAIN WITHIN DIMENSIONS		THIRD ANGLE PROJECTION	DRAWING	SERIES	MATERIAL NUMBER
			A3-SIZE	203564	SEE SHEET 5
				CUSTOMER	SHEET NUMBER
					3 OF 4

