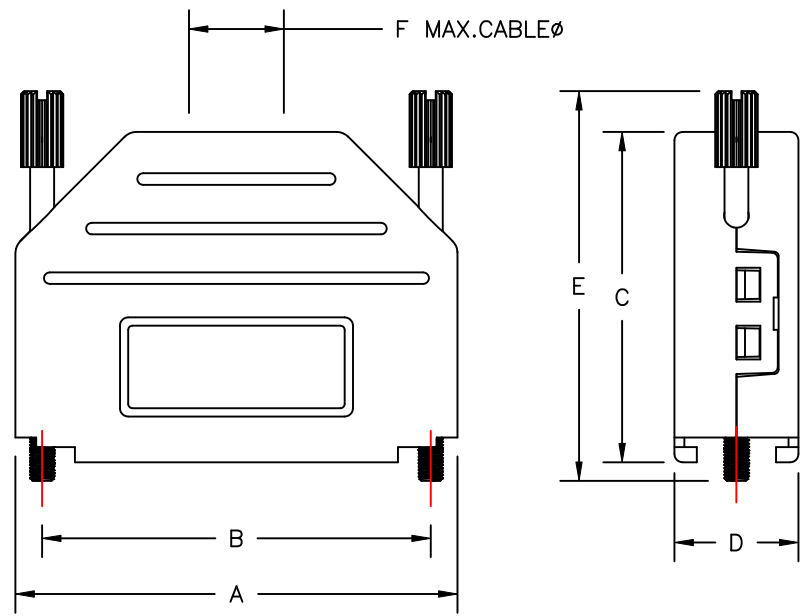


BACKSHELL KIT INCLUDES:

- (1) BACKSHELL
- (2) 4-40 THUMBSCREWS
- (1) PLASTIC STRAIN RELIEF
- (1) METAL STRAIN RELIEF CLAMP
- (2) STRAIN RELIEF SCREWS

TORQUE VALUE ON PLASTIC FOR STRAIN RELIEF SCREWS = 4 INCH POUNDS MAX.



972-025-01SRYY1

SERIES _____
 POSITIONS _____
 025
 MATERIAL _____
 01S = PLASTIC/SLIM LINE
 COLOR: _____
 01 = BLACK
 03 = LIGHT GREY
 04 = GREEN
 06 = RED
 07 = BLUE
 08 = YELLOW
 11 = DEC GREY
 PUT-UPS _____
 1 = KIT

****SEE PAGE 2 FOR PANTONE COLOR CODES**


| | A | B | C | D | E | F |
|---------------|---------|---------|---------|---------|---------|-------|
| (TOL.) INCHES | ± 0.032 | ± 0.012 | ± 0.020 | ± 0.020 | ± 0.020 | |
| MM | ± 0.80 | ± 0.30 | ± 0.50 | ± 0.50 | ± 0.50 | |
| INCHES | 2.106 | 1.852 | 1.575 | .591 | 1.858 | 0.453 |
| MM | 53.50 | 47.04 | 40.00 | 15.00 | 47.20 | 11.50 |

MATERIAL: POLYAMIDE PA66 - UL 94H-B
 MANY COLORS AVAILABLE (SEE SHEET 2)

THUMBSCREWS: STEEL, BLACK OXIDE (FOR BLACK HOODS)
 STEEL, ZINC PLATED (FOR COLORED HOODS)

OPERATING TEMP: -55°C TO +110°C

RoHS COMPLIANT

| | | | | |
|--|---|--------------------------------|----------------------------|--------------------------|
|  | THESE DRAWINGS AND SPECIFICATIONS ARE THE PROPERTY OF NorComp AND SHALL NOT BE REPRODUCED, COPIED OR USED AS THE BASIS FOR THE MANUFACTURE OF SALE OF APPARATUS WITHOUT WRITTEN PERMISSION. | | DRAWN: M. SIGMON | DATE: 07-06-15 |
| | | | CHECKED: | DATE: |
| <h1>NorComp</h1> | | SCALE: | SHEET 1 OF 2 | REV 0 |
| | | DWG NO. 972-025-01SRYY1 | | |

| COLOR RANGE | | |
|-----------------|------------------|------------------|
| COLOR | UPPER | LOWER |
| 01 = BLACK | PANTONE BLACK 3C | PANTONE BLACK 3C |
| 03 = LIGHT GREY | 427C | 427C |
| 04 = GREEN | 7731C | 7732C |
| 06 = RED | 186C | 187C |
| 07 = BLUE | 2190C | 2191C |
| 08 = YELLOW | 108C | 109C |
| 11 = DEC GREY | 7527C | 7534C |



THESE DRAWINGS AND SPECIFICATIONS ARE THE PROPERTY OF NorComp AND SHALL NOT BE REPRODUCED, COPIED OR USED AS THE BASIS FOR THE MANUFACTURE OF SALE OF APPARATUS WITHOUT WRITTEN PERMISSION.

DRAWN:
M. SIGMON

DATE:
07-06-15

CHECKED:

DATE:

NorComp

SCALE: SHEET **2** OF **2** REV **0**

DWG NO. **972-025-01SRYY1**