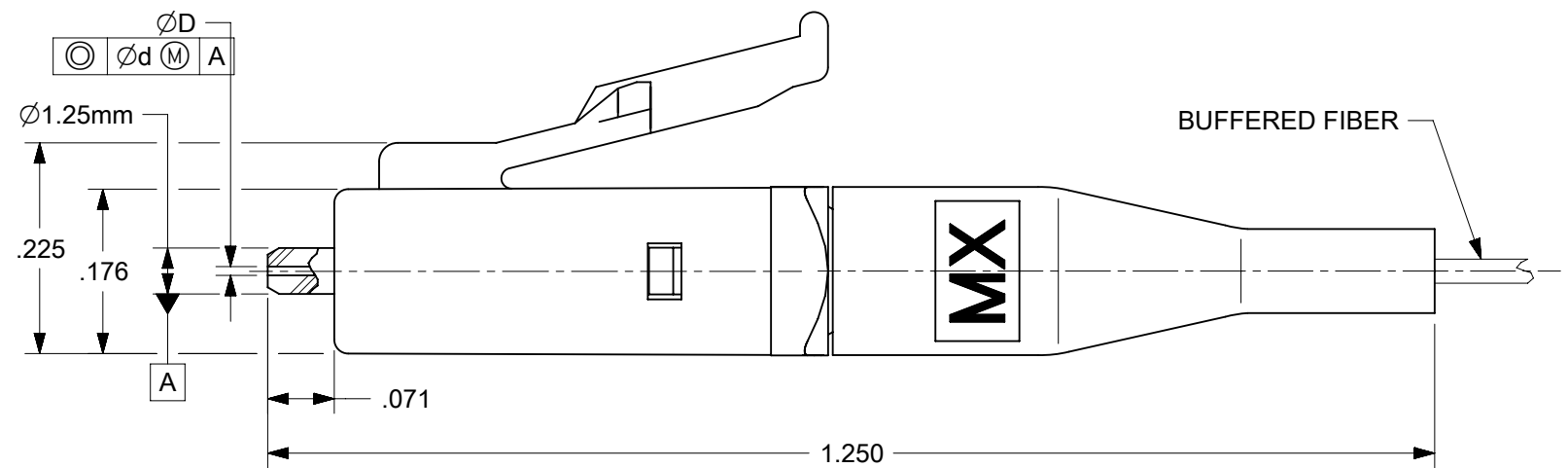
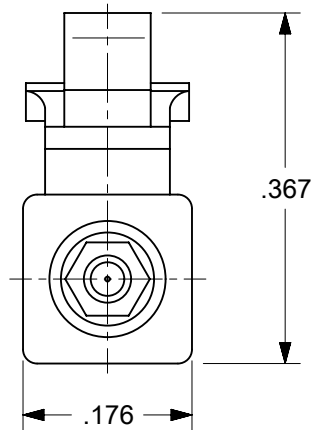


CONNECTOR P/N	øD (µm)	ød (µm)	HOUSING COLOR	BOOT COLOR	CABLE TYPE
106024-2500	125.50 <sup>+1.0</sup> <sub>0</sub>	1.0	BLUE	WHITE	SINGLE MODE
106024-3550*	127.00 <sup>+3.00</sup> <sub>0</sub>	3.0	BEIGE		MULTIMODE
106024-3500					
106024-4500	125.00 <sup>+0.50</sup> <sub>0</sub>	1.0		WHITE	
106024-5500	126.00 <sup>+1.00</sup> <sub>0</sub>				
106024-5540*					
106024-6500	125.25 <sup>+0.50</sup> <sub>0</sub>	0.5	BLUE	WHITE	SINGLE MODE
106090-2700	125.50 <sup>+0.50</sup> <sub>0</sub>				
106090-4500	125.00 <sup>+0.50</sup> <sub>0</sub>				
106090-6500	125.25 <sup>+0.50</sup> <sub>0</sub>				
106090-4510	125.2-125.5				
106090-4520	125.51-125.9				
106099-0500	81.0±0.5	1.4			
106024-5530	126.00 <sup>+1.00</sup> <sub>0</sub>	1.0	BEIGE	WHITE	

(DUST CAP NOT SHOWN)



NOTE:

1. ALL DIMENSIONS ARE GIVEN IN INCHES/MM, EXCEPT OTHERWISE SPECIFIED.

\*2. P/N 106024-3310 AND 106024-5540 ARE BULK PACKED.

3. TUBING MUST BE SHORTENED AFTER FILLING THE EPOXY ACCORDING TO THE TERMINATION PROCEDURE P/N PS-86028-2000

THIS DRAWING CONTAINS INFORMATION THAT IS PROPRIETARY TO MOLEX ELECTRONIC TECHNOLOGIES, LLC AND SHOULD NOT BE USED WITHOUT WRITTEN PERMISSION										
DIMENSION UNITS		SCALE		CURRENT REV DESC:						
INCH		5:1		<p><b>molex</b></p> <p>LC CONNECTOR (BARE FIBER)</p> <p>PRODUCT CUSTOMER DRAWING</p> <p>EC NO: 695254 DRWN: JHUANG18 2022/01/20 CHK'D: IGUMIN 2022/04/29 APPR: IGUMIN 2022/04/29</p> <p>INITIAL REVISION: DRWN: PGIBLIN 2005/09/02 APPR: IGUMIN 2005/10/24</p>						
GENERAL TOLERANCES (UNLESS SPECIFIED)										
	MM	INCH								
4 PLACES	±		±							
3 PLACES	±	0.38	± 0.005							
2 PLACES	±		±							
1 PLACE	±		±							
0 PLACES	±		±							
ANGULAR TOL ± 1.0 °				DOCUMENT NUMBER		DOC TYPE	DOC PART	REVISION		
DRAFT WHERE APPLICABLE MUST REMAIN WITHIN DIMENSIONS				THIRD ANGLE PROJECTION		DRAWING	SERIES	MATERIAL NUMBER	CUSTOMER	SHEET NUMBER
						B-SIZE	106024	SEE TABLE	GENERAL MARKET	1 OF 1
								SD-1060KK-KKK0	PSD	001 D