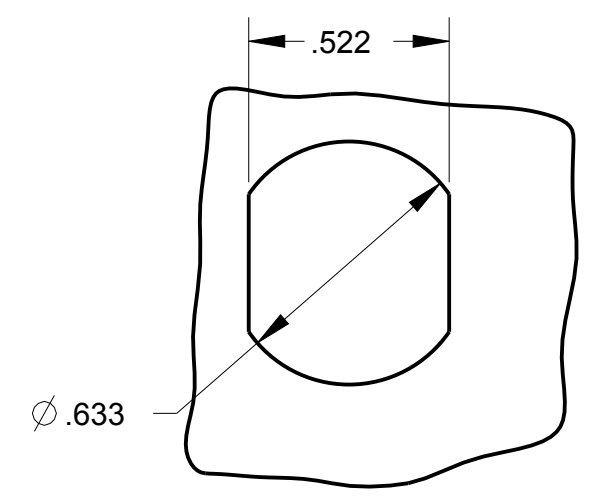
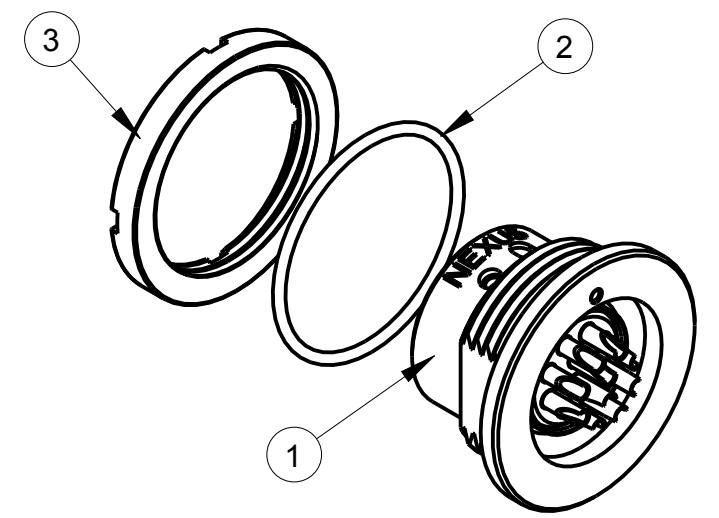
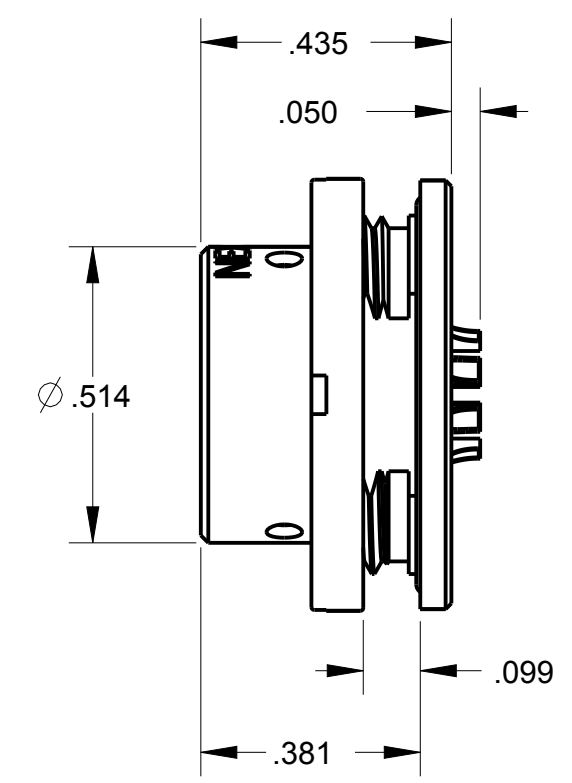
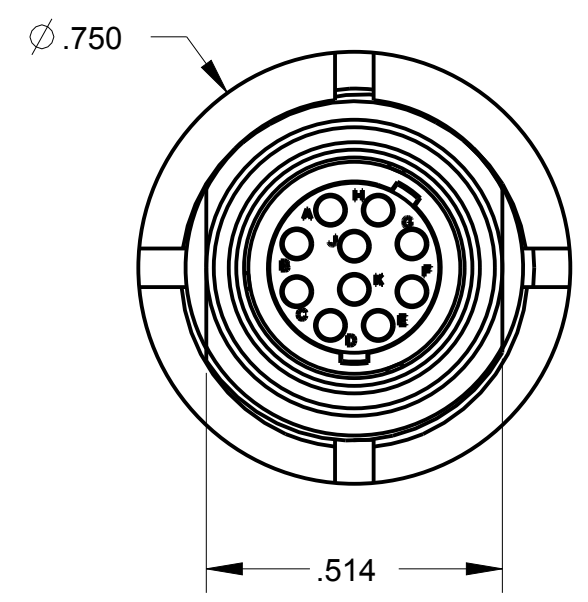


ITEM #	PART #	QTY	DESCRIPTION
1	MAP-60-15	1	PLUG HOUSING ASS'Y
2	MAP-60-13	1	O-RING, PANEL MOUNT
3	MAP-60-14	1	NUT (PANEL MOUNT)

**B** MAP-60-00



RECOMMENDED  
PANEL CUTOUT



THIS DOCUMENT CONTAINS PROPRIETARY INFORMATION OF NEXUS, INCORPORATED AND SUCH INFORMATION MAY NOT BE DISCLOSED TO OTHERS FOR ANY PURPOSE OR USED FOR ANY PURPOSE WITHOUT THE WRITTEN CONSENT OF NEXUS.

LET.	REVISION	CN #	DATE	CHK.
A	NEW RELEASE		4/2 2012	HR

DWN.BY <b>HR</b>	DATE Jul-05-11	MATERIAL	
CHECKED BY	DATE	FINISH	
APPR.BY	DATE	WEIGHT —	SCALE = 2.00 :1
UNLESS OTHERWISE SPECIFIED: DIMENSIONS ARE IN INCHES &/OR (mm)		TITLE	
TOLERANCES: DECIMAL: .XX[X.X] .XXX[X.XX] ± .01[0.3] ± .003[0.08]		10-COND PLUG PANEL MOUNT	
FRACTION: X/X ± 1/64		DO NOT SCALE DWG. SHEET 1 OF 1	
ANGLES: X ± .5°		NEXUS STAMFORD, CONN	
		SIZE <b>B</b>	DWG. NO. MAP-60-00