

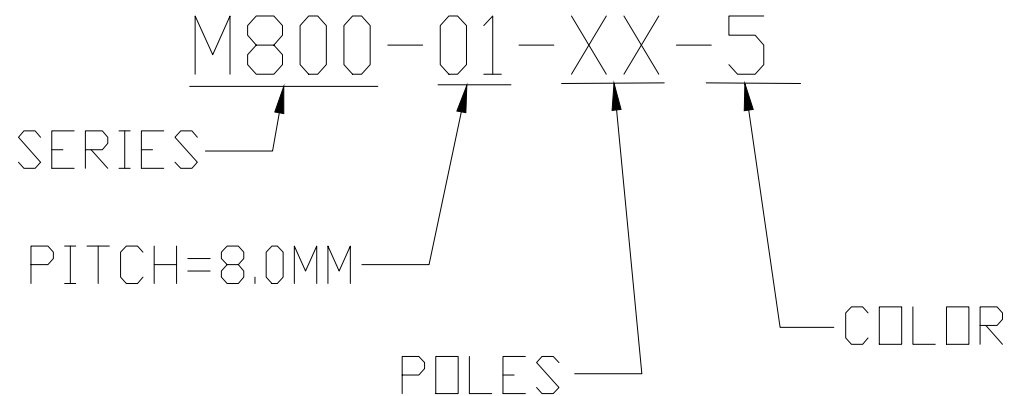
PART NUMBER DATA							
CIRCUITS	PART NUMBER	ENGINEERING NUMBER	COLOR	A IN mm		B IN mm	
2	391001902	M800-01-02-5	WHITE	.53	13.5	.315	8.00
3	391001903	M800-01-03-5	WHITE	.85	21.5	.630	16.00
4	391001904	M800-01-04-5	WHITE	1.16	29.5	.945	24.00
5	391001905	M800-01-05-5	WHITE	1.48	37.5	1.260	32.00
6	391001906	M800-01-06-5	WHITE	1.79	45.5	1.575	40.01
7	391001907	M800-01-07-5	WHITE	2.11	53.5	1.890	48.01
8	391001908	M800-01-08-5	WHITE	2.42	61.5	2.205	56.01
9	391001909	M800-01-09-5	WHITE	2.74	69.5	2.520	64.01
10	391001910	M800-01-10-5	WHITE	3.05	77.5	2.835	72.01
11	391001911	M800-01-11-5	WHITE	3.37	85.5	3.150	80.01
12	391001912	M800-01-12-5	WHITE	3.68	93.5	3.465	88.01

REF. LAST 2 DIGITS OF PART NUMBER EQUAL CIRCUIT COUNT

NOTE: IF THIS PRODUCT IS STORED IN AN ENVIRONMENT WITH A RELATIVE HUMIDITY OF LESS THAN 50%, MOISTURE MUST BE ADDED. REFER TO TECHNICAL ADVISORY AS 45499-001 FOR INSTRUCTIONS.



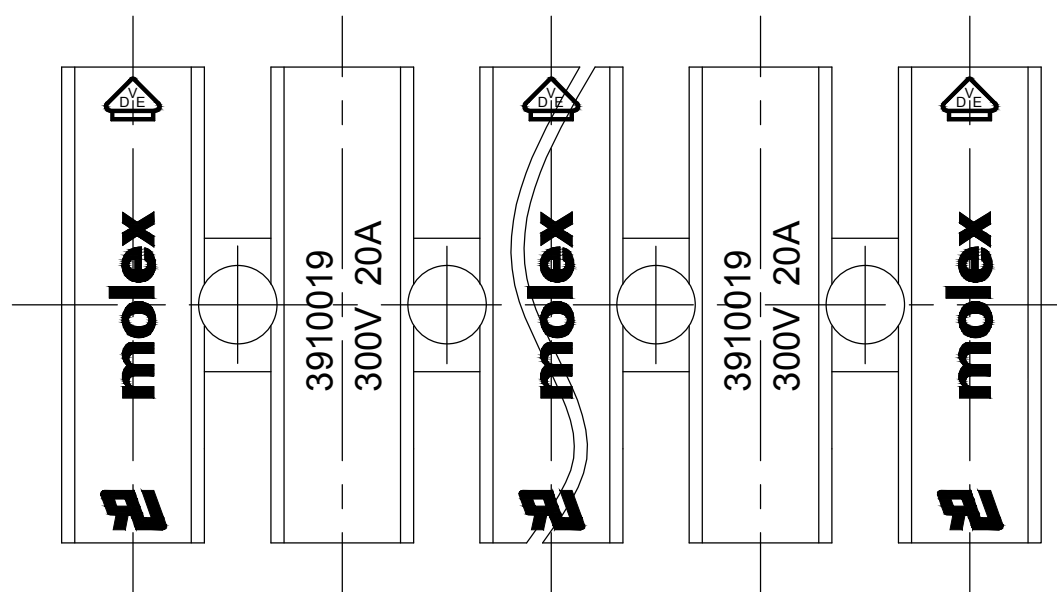
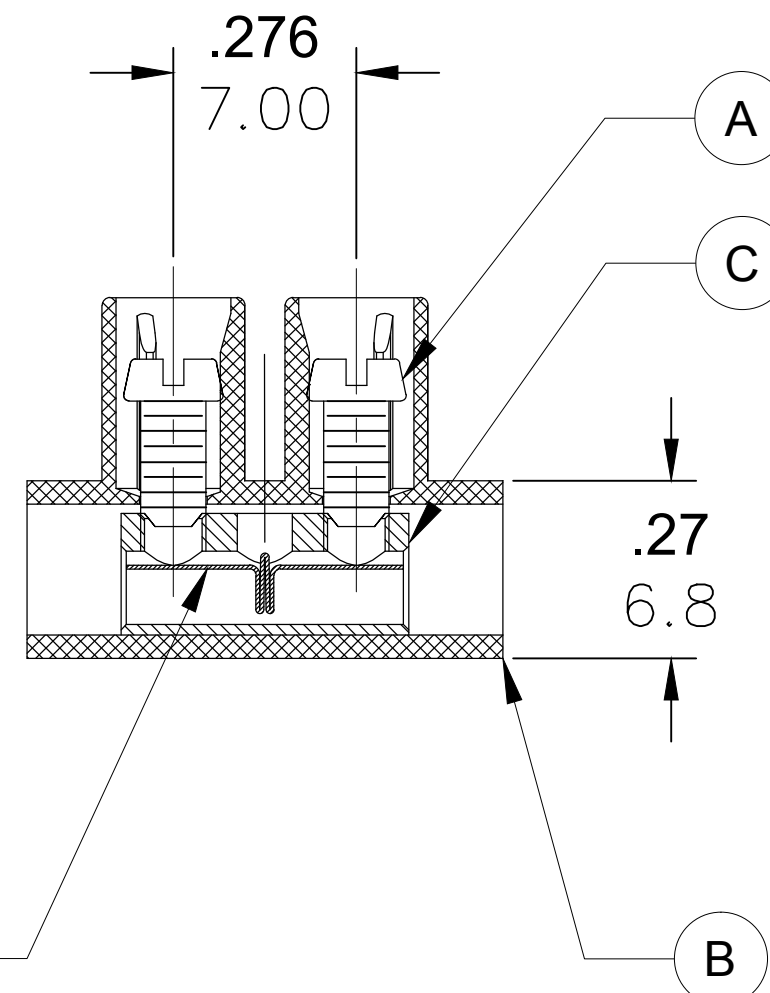
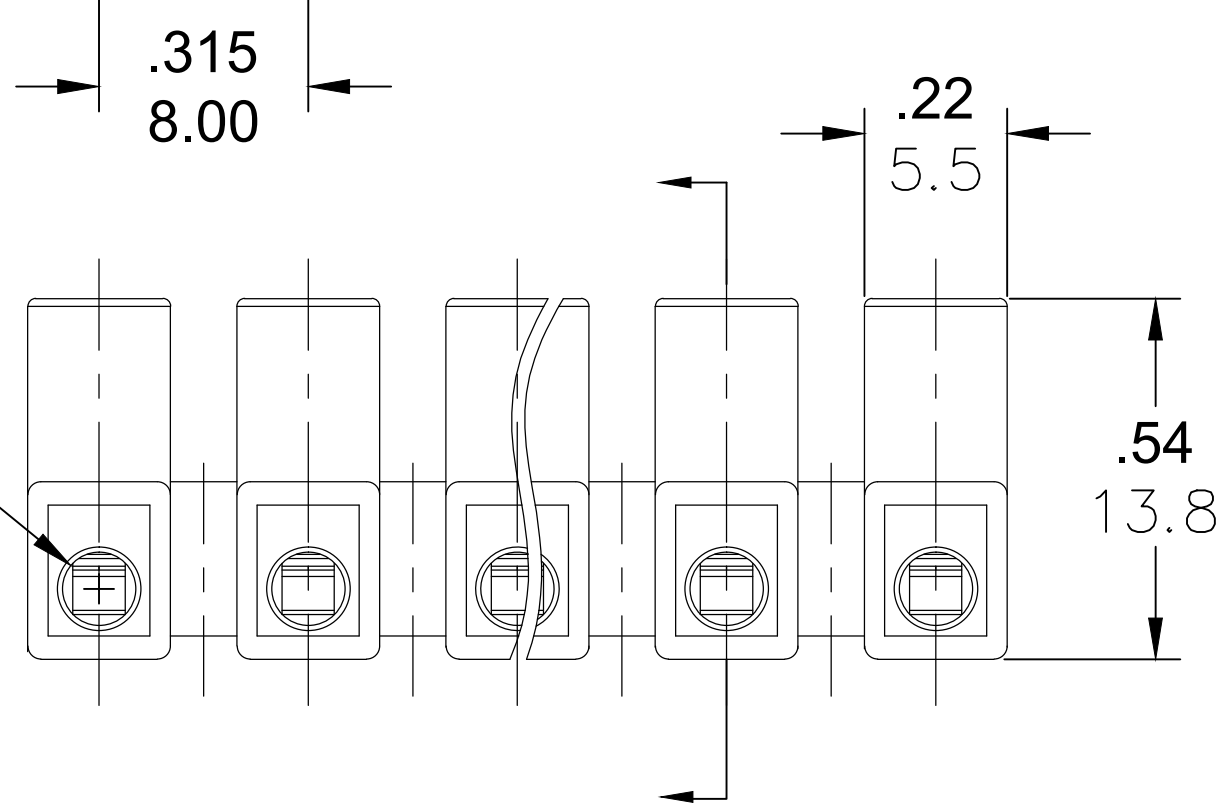
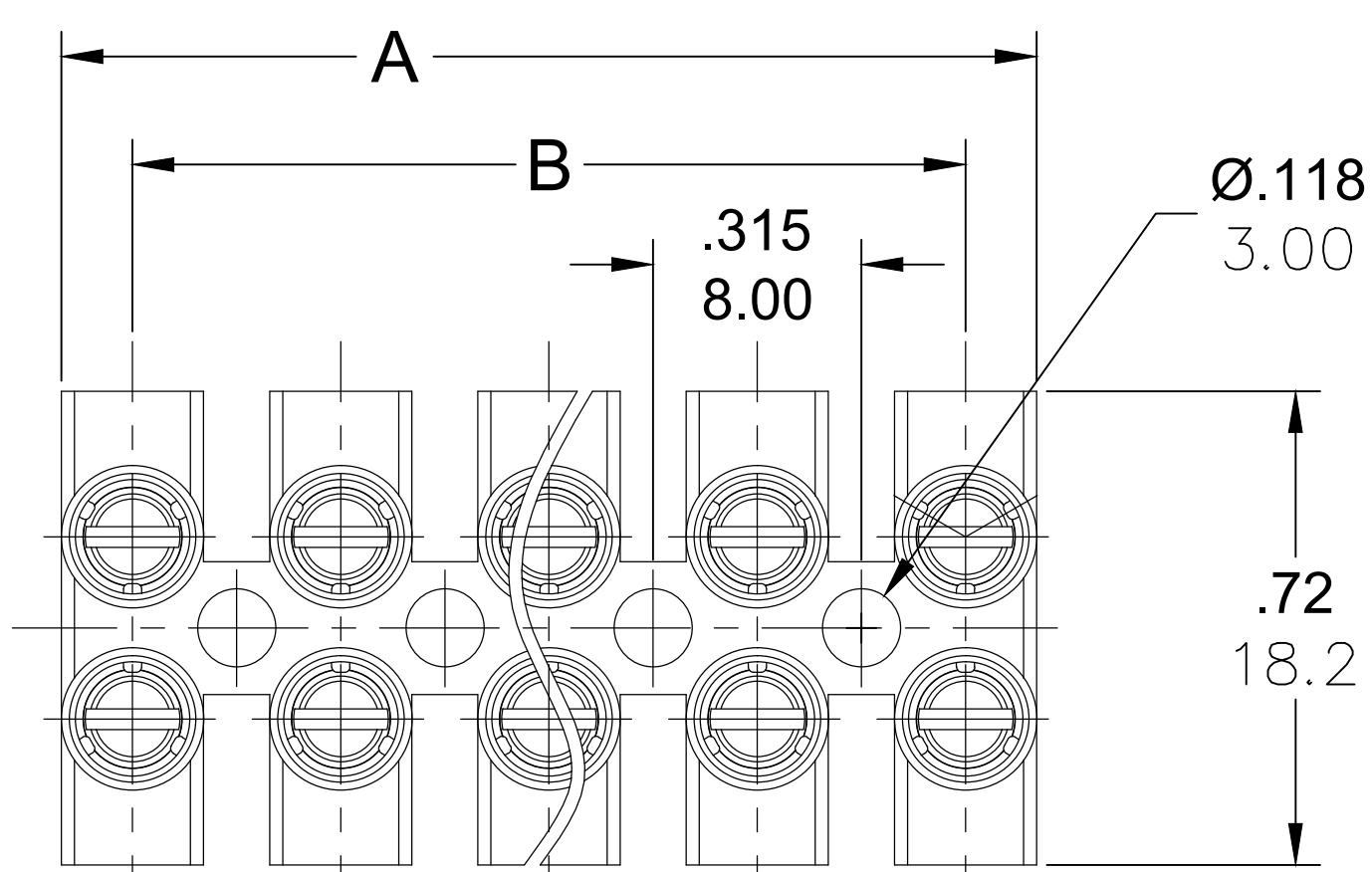
ENGINEERING NUMBER LEGEND



CONTACT FACTORY FOR OPTIONAL COLORS

SPECIFICATIONS:

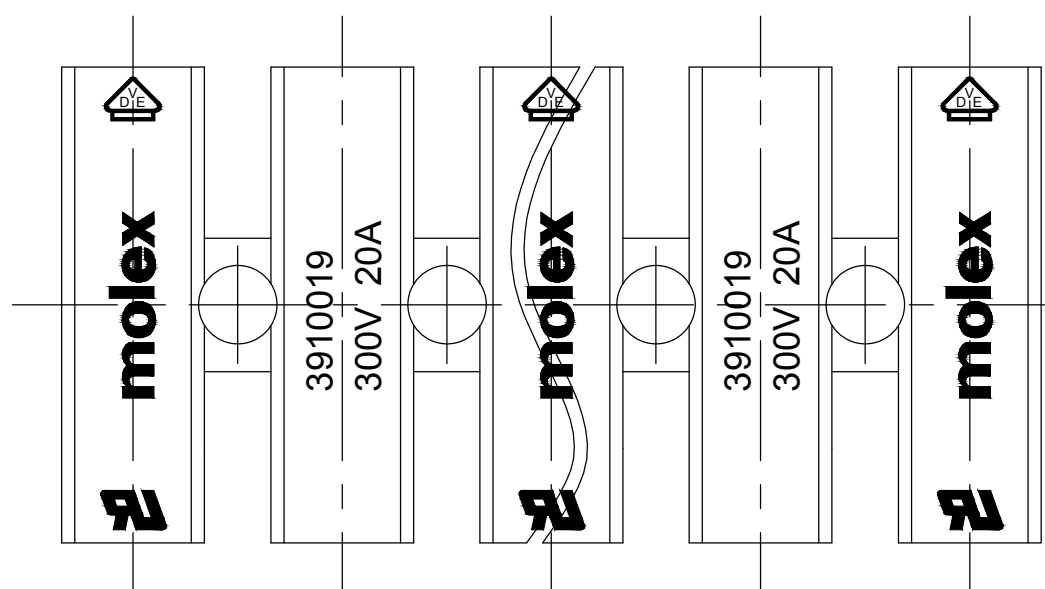
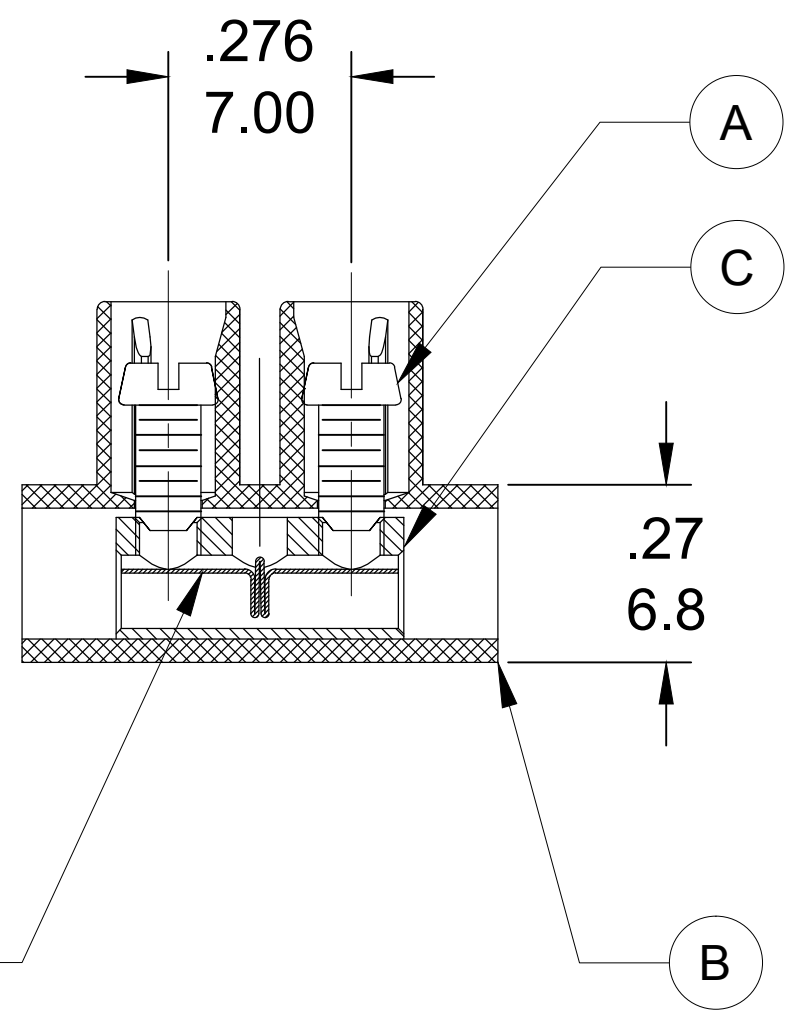
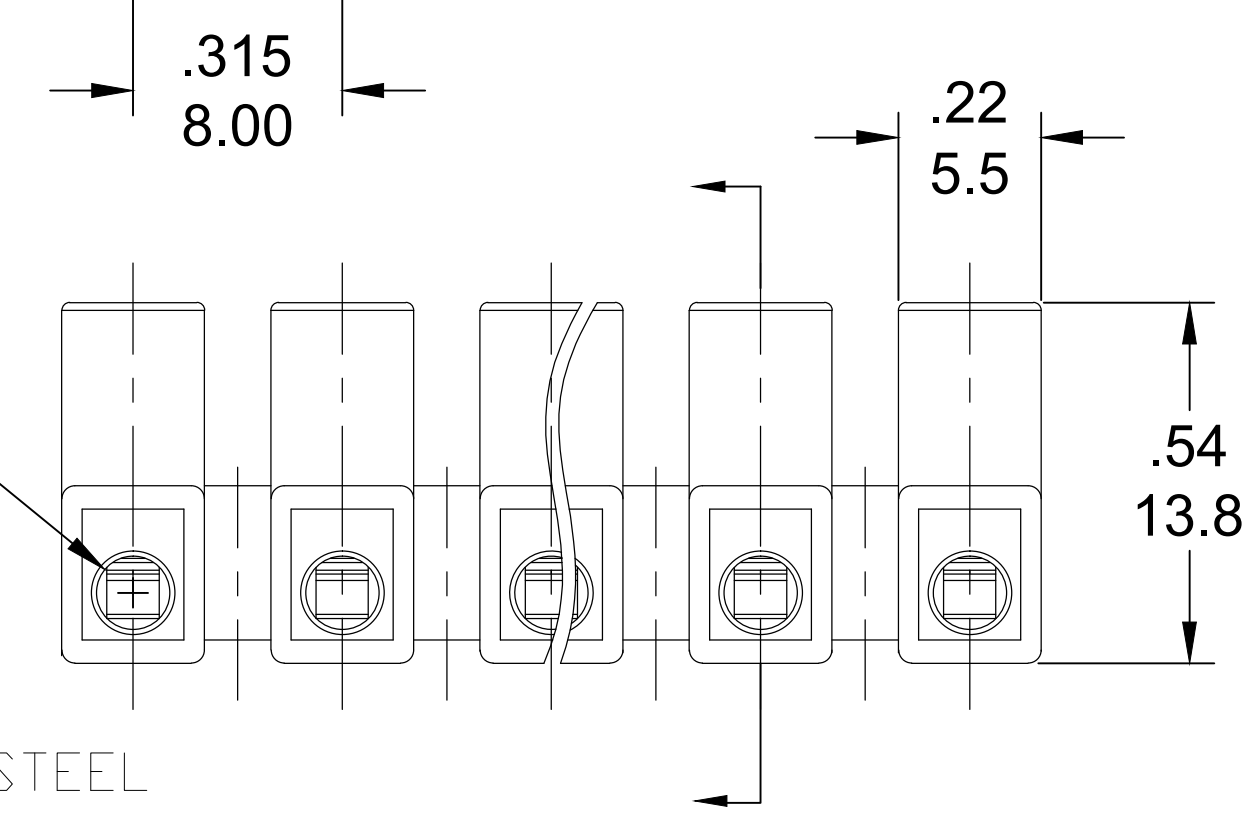
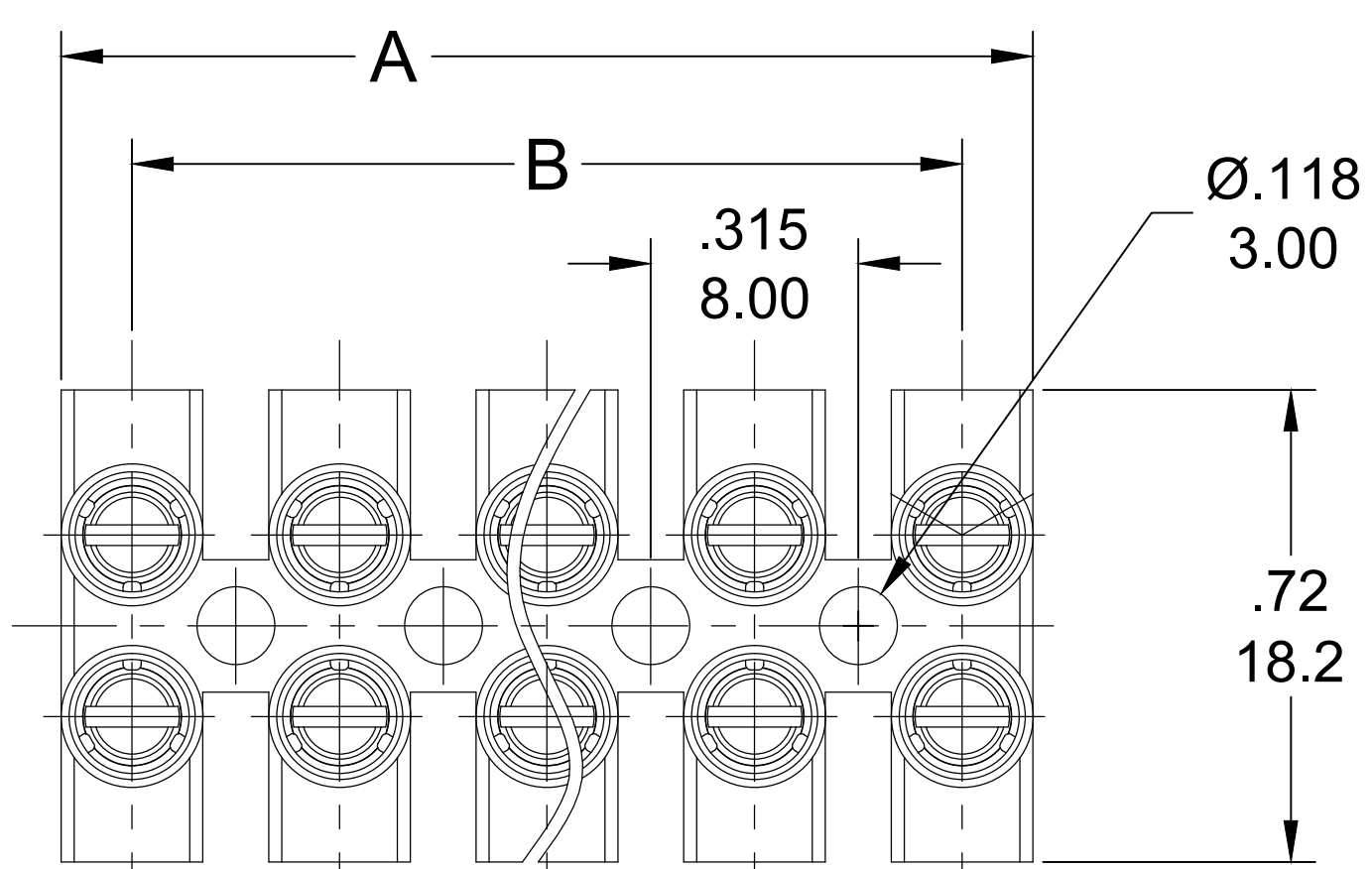
- Material:
 - (A) Screw: Steel, Zinc plated
 - (B) Body: PA66 UL94 V-0
 - (C) Cage: Brass, Nickel plated
 - (D) Terminal: Stainless Steel
- Rating: 300V, 20amps
- Wire range: 22-12 AWG
- Max torque: 4.4 in lbs.
- Dielectric voltage withstand: DC 3000V for 1 minute.
- Insulation resistance: DC 1000V, 100GΩ
- Rated Impulse Voltage: 4000V, Plus and Minus 5 times each
- Strip Length: .20 in. (5.0mm)
- Operating Temperature: -40° C to +105° C
- Contact Resistance: < 3 mΩ
- All dims. shown are for reference only



TOLERANCES			
MM	TOL	INCH	TOL
0-6	±0.25	0-.24	±.010
>6-30	±0.40	.24-1.18	±.016
>30-120	±0.50	1.18-4.76	±.020
>120	±0.80	>4.76	±.031

REVISED DOC TOL EC NO.: ICG2017-0881 DRWN: ABENJAMI CHKD: --- APPR: BRUPERT C1	4/5/17	2014/07/21	QUALITY SYMBOL ▽=0 ▽C=0	GENERAL TOLERANCES (UNLESS SPECIFIED)	DIMENSION STYLE IN/MM	SCALE ---	DESIGN UNITS METRIC	THIRD ANGLE PROJECTION
	DESCRIPTION	DESCRIPTION	DESCRIPTION	4 PLACES ±--- ±---	DRAWN BY DATE RSTONE 2014/07/08	TITLE TERMINAL STRIP 8.0MM LOW PROFILE 300V		
	REV	DESCRIPTION	DESCRIPTION	3 PLACES ±--- ±---	CHECKED BY DATE G FARNSW ---			
	REV	DESCRIPTION	DESCRIPTION	2 PLACES ±--- ±---	APPROVED BY DATE JFMURPHY 2014/07/21			
				1 PLACE ±--- ±---	MATERIAL NO. SEE CHART	DOCUMENT NO. SD-39100-012	SHEET NO. 1 OF 1	
				ANGULAR ±---°	THIS DRAWING CONTAINS INFORMATION THAT IS PROPRIETARY TO MOLEX INCORPORATED AND SHOULD NOT BE USED WITHOUT WRITTEN PERMISSION			
				DRAFT WHERE APPLICABLE MUST REMAIN WITHIN DIMENSIONS				

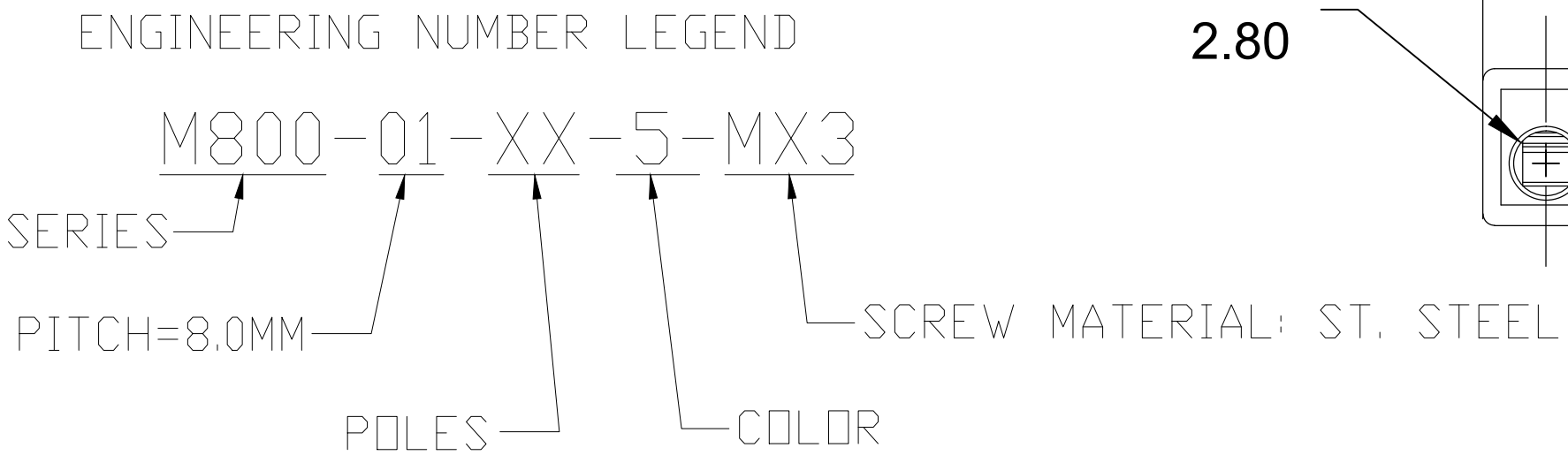
PART NUMBER DATA							
CIRCUITS	PART NUMBER	ENGINEERING NUMBER	COLOR	A IN mm		B IN mm	
2		M800-01-02-5-MX3	WHITE	.53	13.5	.315	8.00
3		M800-01-03-5-MX3	WHITE	.85	21.5	.630	16.00
4		M800-01-04-5-MX3	WHITE	1.16	29.5	.945	24.00
5		M800-01-05-5-MX3	WHITE	1.48	37.5	1.260	32.00
6		M800-01-06-5-MX3	WHITE	1.79	45.5	1.575	40.01
7		M800-01-07-5-MX3	WHITE	2.11	53.5	1.890	48.01
8		M800-01-08-5-MX3	WHITE	2.42	61.5	2.205	56.01
9		M800-01-09-5-MX3	WHITE	2.74	69.5	2.520	64.01
10	391001930	M800-01-10-5-MX3	WHITE	3.05	77.5	2.835	72.01
11		M800-01-11-5-MX3	WHITE	3.37	85.5	3.150	80.01
12		M800-01-12-5-MX3	WHITE	3.68	93.5	3.465	88.01



TOLERANCES			
MM	TOL	INCH	TOL
0-6	±0.25	0-.24	±.010
>6-30	±0.40	.24-1.18	±.016
>30-120	±0.50	1.18-4.76	±.020
>120	±0.80	>4.76	±.031

REF. LAST 2 DIGITS OF PART NUMBER EQUAL CIRCUIT COUNT

NOTE: IF THIS PRODUCT IS STORED IN AN ENVIRONMENT WITH A RELATIVE HUMIDITY OF LESS THAN 50%, MOISTURE MUST BE ADDED. REFER TO TECHNICAL ADVISORY AS 45499-001 FOR INSTRUCTIONS.



CONTACT FACTORY FOR OPTIONAL COLORS

SPECIFICATIONS:

- Material:
 - (A) Screw: Stainless Steel
 - (B) Body: PA66 UL94 V-0
 - (C) Cage: Brass, Nickel plated
 - (D) Terminal: Stainless Steel
- Rating: 300V, 20amps
- Wire range: 22-12 AWG
- Max torque: 4.4 in lbs.
- Dielectric voltage withstand: DC 3000V for 1 minute.
- Insulation resistance: DC 1000V, 100GΩ
- Rated Impulse Voltage: 4000V, Plus and Minus 5 times each
- Strip Length: .20 in. (5.0mm)
- Operating Temperature: -40° C to +105° C
- Contact Resistance: < 3 mΩ
- All dims. shown are for reference only

RPM-T201743340 EC NO: ICG2017-0881 DRWN: ABENJAMI 2017/12/13 CHKD: --- APPR: BRUPERT 2017/12/14	QUALITY SYMBOL	GENERAL TOLERANCES (UNLESS SPECIFIED)	DIMENSION STYLE IN/MM	SCALE ---	DESIGN UNITS METRIC	THIRD ANGLE PROJECTION
	▽=0	4 PLACES ±--- ±---	DRAWN BY RSTONE DATE 2014/07/08	TITLE	TERMINAL STRIP 8.0MM LOW PROFILE 300V STAINLESS STEEL SCREWS	
	∇=0	3 PLACES ±--- ±---	CHECKED BY G FARNSW DATE ---	MOLEX INCORPORATED		
		2 PLACES ±--- ±---	APPROVED BY JFMURPHY DATE 2014/07/21	MATERIAL NO. SEE CHART	DOCUMENT NO. SD-39100-019	SHEET NO. 1 OF 1
A	REV	ANGULAR ±---°	SIZE C	THIS DRAWING CONTAINS INFORMATION THAT IS PROPRIETARY TO MOLEX INCORPORATED AND SHOULD NOT BE USED WITHOUT WRITTEN PERMISSION		
		DRAFT WHERE APPLICABLE MUST REMAIN WITHIN DIMENSIONS				