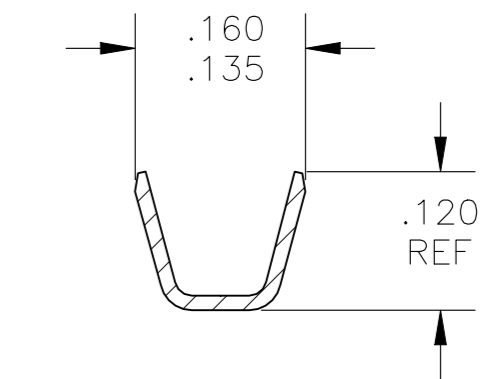
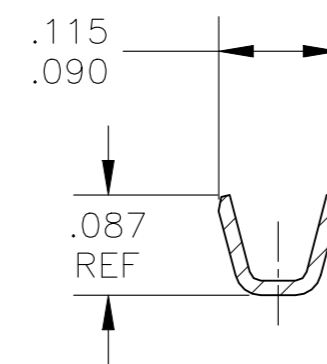
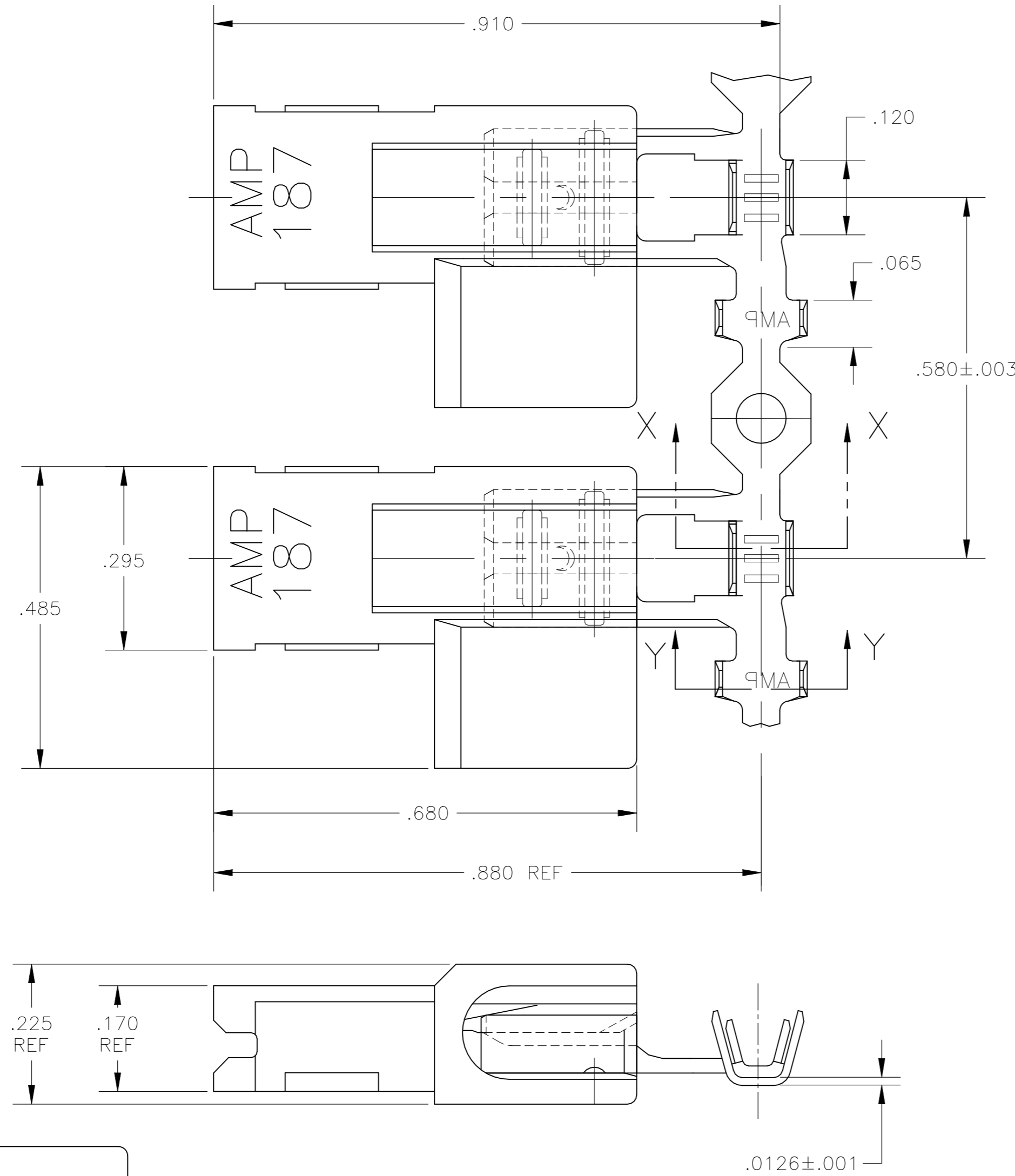


REVISIONS				
P	LTR	DESCRIPTION	DATE	APVD
B1		REVISED PER ECR-22-160893	14DEC2022	DB BW

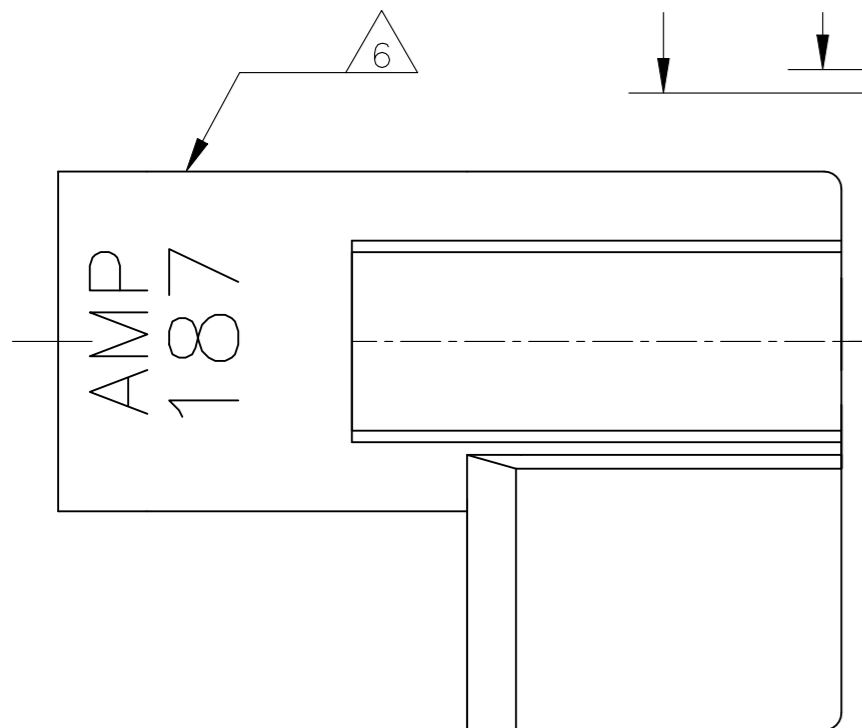
- 1 USE FLAG FASTON TERMINAL BASE
- 2 WIRE SIZE IS #22-#18 AWG
- 3 INSULATION RANGE IS .060-.110 DIA
- 4 MATERIAL;
TERMINAL: BRASS, FINISH: SEE TABLE
HOUSING: V2 NYLON, COLOR: NATURAL(WHITE)
- 5 FITS .187 X .032 THK FASTON TAB

- △6 ALTERNATIVE HOUSING FORM
- △7 PRELIMINARY - NOT FOR PRODUCTION
- △8 GLOW WIRE APPROVED; CONTACT TE ENGINEERING FOR SPECIFICATION (ALL WALL THICKNESSES ARE BETWEEN 0.4-3.0[.015-.118])



SECTION X-X

SECTION Y-Y



THIS DRAWING IS A CONTROLLED DOCUMENT.		DWN RAGHAVENDRA H M 04APR2007	TIN PLATE △8 1969107-2	
DIMENSIONS: INCHES		CHK G D PORTA 04APR2007	NO PLATING △7 1969107-1	
TOLERANCES UNLESS OTHERWISE SPECIFIED: 0 PLC ± - 1 PLC ± - 2 PLC ± - 3 PLC ± .010 4 PLC ± - ANGLES ± -		APVD G D PORTA 04APR2007	TERMINAL: FINISH PART NO.	
MATERIAL SEE NOTES		FINISH SEE NOTES		
WEIGHT 0.000000		PRODUCT SPEC APPLICATION SPEC	ASSEMBLY, RECPT, FLAG, ULTRA-POD, .187 SERIES WIRE SIZE: 22-18 AWG	
CUSTOMER DRAWING		SCALE 6:1	SHEET 1 OF 1	RESTRICTED TO -
		SIZE A2	CAGE CODE 00779	DRAWING NO C=1969107
		REV B1		