

THIS DRAWING IS UNPUBLISHED.

RELEASED FOR PUBLICATION

© COPYRIGHT BY TYCO ELECTRONICS CORPORATION.

ALL INTERNATIONAL RIGHTS RESERVED.

LOC
J

DIST
-

REVISIONS

変更

P

LTR

DESCRIPTION

DATE

DWN

APVD

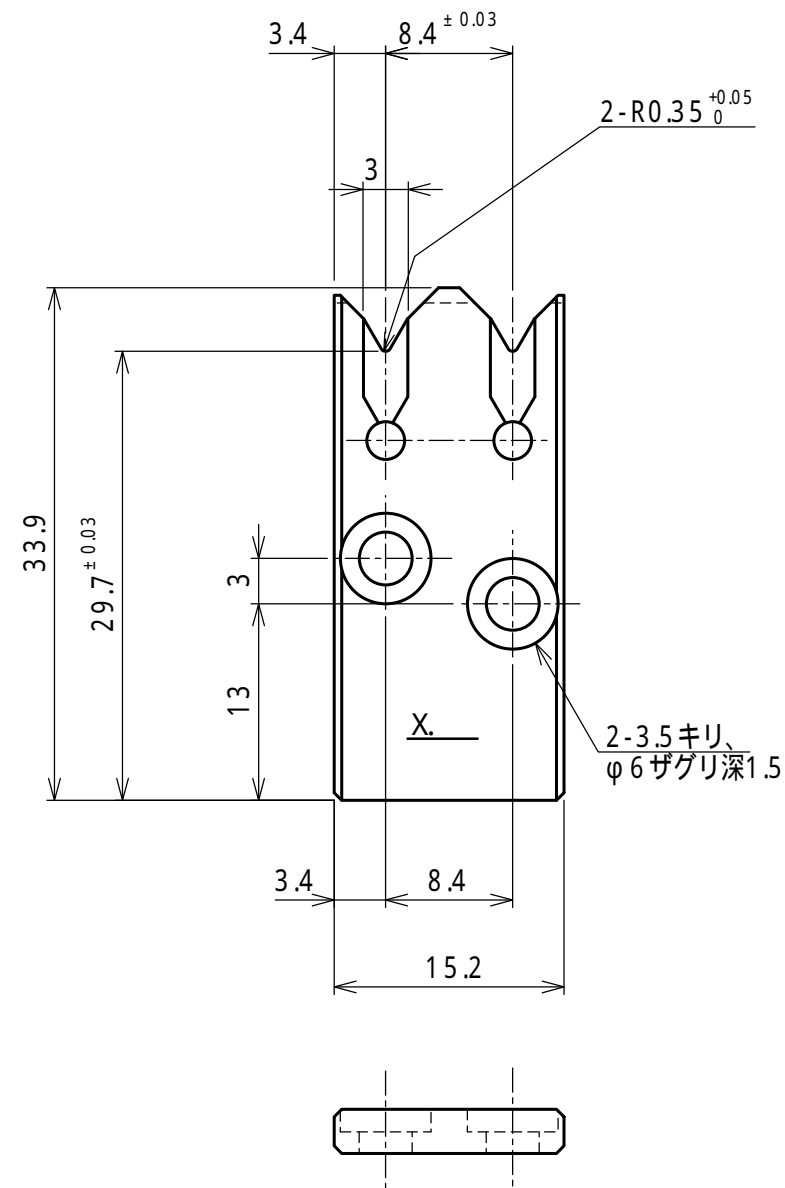
A

RELEASED

17JUN2009

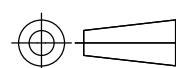
K.I

S.S



THIS DRAWING IS A CONTROLLED DOCUMENT.

DIMENSIONS:
単位: 耗
mm



TOLERANCES UNLESS
OTHERWISE SPECIFIED:
一般公差

0	PLC	± -
1	PLC	± -
2	PLC	± -
3	PLC	± -
4	PLC	± -
ANGLES		± -

MATERIAL
材料

FINISH
仕上

DWN (M.KAISE) 12JUN2009

CHK K.IMAI 17JUN2009

APVD S.SUZUKI 17JUN2009

PRODUCT SPEC
製品規格

APPLICATION SPEC
取付適用規格

WEIGHT -

CUSTOMER DRAWING

Tyco Electronics Tyco Electronics Corporation
Kawasaki, Japan

NAME
名称

BLADE, STRIP

SIZE A3 CAGE CODE 00779 DRAWING NO. 番号 C-2088000-1 RESTRICTED TO -

SCALE 尺度 2:1 SHEET 1 OF 1 REV A