

# HC-B16-BCFD-P-BK - Protective cover



1346539

<https://www.phoenixcontact.com/us/products/1346539>

Please be informed that the data shown in this PDF document is generated from our online catalog. Please find the complete data in the user documentation. Our general terms of use for downloads are valid.

Protective cover B16, for double locking latch, protective cover material: PC, height: 26.4 mm, seal: no



## Commercial data

Item number	1346539
Packing unit	1 pc
Minimum order quantity	1 pc
Sales key	BF66
Product key	BF7AZC
GTIN	4063151660772
Weight per piece (including packing)	25.6 g
Weight per piece (excluding packing)	22.22 g
Customs tariff number	85389099
Country of origin	CN

# HC-B16-BCFD-P-BK - Protective cover



1346539

<https://www.phoenixcontact.com/us/products/1346539>

## Technical data

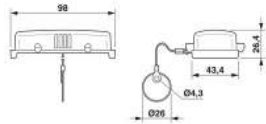
### Notes

General	Protective cover for supporting base element with double locking latch
---------	--

### Product properties

Type	B16
Product type	Protective cover
Housing type	Protective cover
Seal present	no

### Dimensions

Dimensional drawing	
Width	43.4 mm
Height	26.4 mm
Length	98 mm
Diameter	40 mm

### Material specifications

Material	PC
Flammability rating according to UL 94	V0
Material, protective cover	PC

### Environmental and real-life conditions

#### Ambient conditions

Degree of protection	IP66
Ambient temperature (operation)	-40 °C ... 125 °C
Resistance to UV radiation	yes

### Standards and regulations

Resistance to UV radiation	yes
----------------------------	-----

### Mounting

Assembly instructions	Double eyelet for mounting on a cable / below screw head Plastic protective cover for short-term protection
-----------------------	--

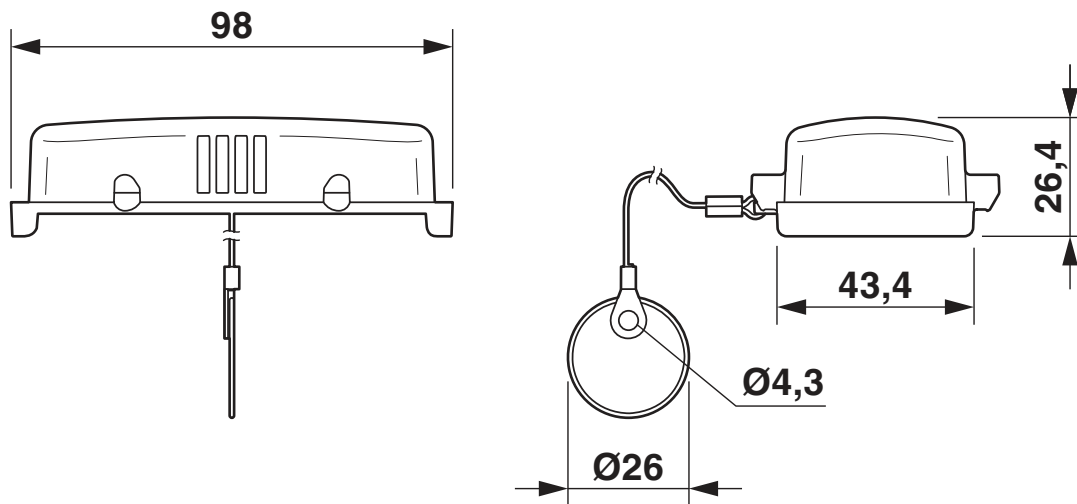
# HC-B16-BCFD-P-BK - Protective cover

1346539

<https://www.phoenixcontact.com/us/products/1346539>

## Drawings

Dimensional drawing



Dimensional drawing

# HC-B16-BCFD-P-BK - Protective cover



1346539

<https://www.phoenixcontact.com/us/products/1346539>

## Approvals

To download certificates, visit the product detail page: <https://www.phoenixcontact.com/us/products/1346539>



**EAC**

Approval ID: RU C-DE.BL08.B.00511

**DNV**

Approval ID: TAE000037S

# HC-B16-BCFD-P-BK - Protective cover



1346539

<https://www.phoenixcontact.com/us/products/1346539>

## Classifications

### ECLASS

ECLASS-11.0	27440208
ECLASS-12.0	27440208
ECLASS-13.0	27440208

### ETIM

ETIM 8.0	EC002314
----------	----------

### UNSPSC

UNSPSC 21.0	39121400
-------------	----------

# HC-B16-BCFD-P-BK - Protective cover



1346539

<https://www.phoenixcontact.com/us/products/1346539>

## Environmental product compliance

China RoHS	Environmentally friendly use period: unlimited = EFUP-e No hazardous substances above threshold values
------------	---

Phoenix Contact 2023 © - all rights reserved  
<https://www.phoenixcontact.com>

Phoenix Contact USA  
586 Fulling Mill Road  
Middletown, PA 17057, United States  
(+717) 944-1300  
[info@phoenixcon.com](mailto:info@phoenixcon.com)