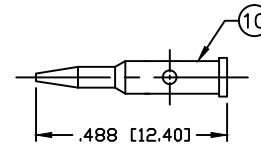
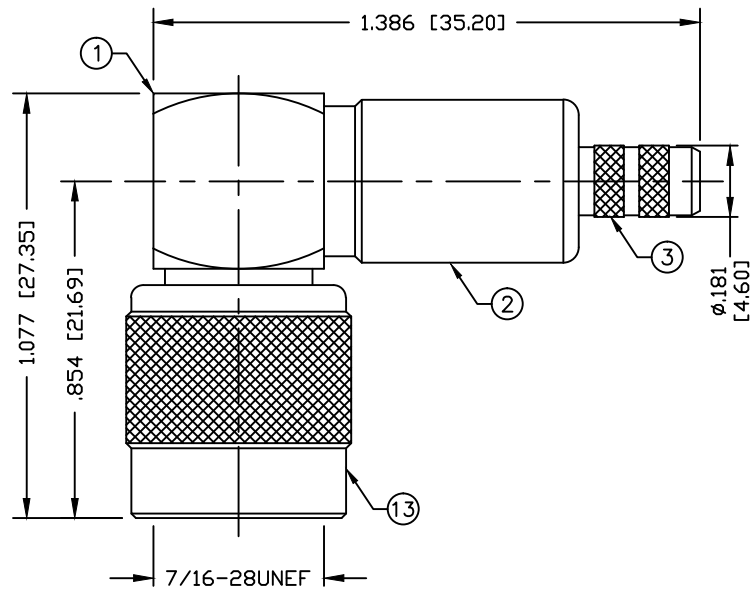


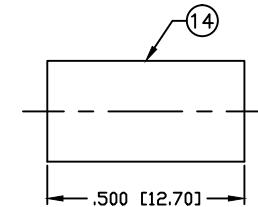
PART NO.

RFT-1218

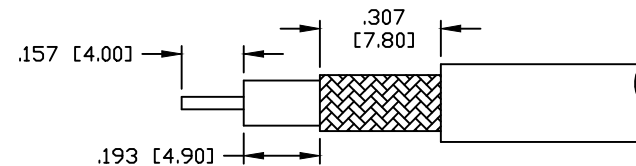
REV	DESCRIPTION	DWN	DATE	APPROVED
F	CORRECT CABLE GROUP LIST	CZS	05/01/19	JDMc



RECOMMENDED CRIMP DIE: .068"



RECOMMENDED CRIMP DIE: .213"



RECOMMENDED STRIPPING DIMENSIONS

SPECIFICATIONS:

IMPEDANCE: 50 Ohms
 FREQUENCY RANGE: 0-7 GHz
 WORKING VOLTAGE: 500 Vrms
 INSULATION RESISTANCE: 5k M ohms min.
 TEMPERATURE RANGE: -65°C TO +85°C
 FOR RG-58, 58A, 58C, 141, 141A, BELDEN 8240, 9907
 8259, 8262, 9201, 9203, 9310, 9311 & COMM/SCOPE 0268

14	FERRULE	1	COPPER	NICKEL
13	SHELL	1	BRASS	NICKEL
12	COVER	1	BRASS	NICKEL
11	WASHER	1	BRASS	NICKEL
10	PIN	1	BRASS	GOLD
9	BUSHING	1	DELFIN	----
8	RING	1	BRASS	NICKEL
7	GASKET	1	RUBBER	RED
6	INSULATOR	1	PTFE	----
5	CONTACT	1	PHOSPHOR BRONZE	GOLD
4	INSULATOR	1	PTFE	----
3	FERRULE STUD	1	BRASS	NICKEL
2	PRESS BODY	1	BRASS	NICKEL
1	BODY	1	BRASS	NICKEL
#	DESCRIPTION	QTY	MATERIAL	FINISH

CUSTOMER
OUTLINE DRAWINGALL DIMENSIONS
ARE REFERENCE ONLYUNLESS OTHERWISE SPECIFIED:
DIMENSIONS ARE IN INCHES
AND [MILLIMETERS]DRAWN
C. ZUNIGA 05/01/19
CHECKEDORJ DRAWN
K. MAXWELL 10/3/94**RoHS
COMPLIANT**

PROPRIETARY AND CONFIDENTIAL
 THIS DRAWING CONTAINS
 INFORMATION PROPRIETARY TO
 RF INDUSTRIES. ANY
 UNAUTHORIZED USE OF THIS
 DRAWING IS EXPRESSLY
 PROHIBITED WITHOUT WRITTEN
 PERMISSION FROM RF
 INDUSTRIES. ANY VIOLATION IS
 PUNISHABLE UNDER U.S.
 COPYRIGHT LAWS.

RFconnectors

DIVISION OF RF INDUSTRIES, LTD. (858) 549-6345 FAX

RFINDUSTRIES.COM
 7610 MIRAMAR RD.
 SAN DIEGO, CA 92126
 (858) 549-6340

TNC PLUG CRIMP

RIGHT ANGLE

CABLE GROUP	DWG NO.	REVISION
C	RFT-1218	F
FORMAT	SCALE	ENGINEERING ID
A	NTS	N/A
		SHEET 1 OF 1