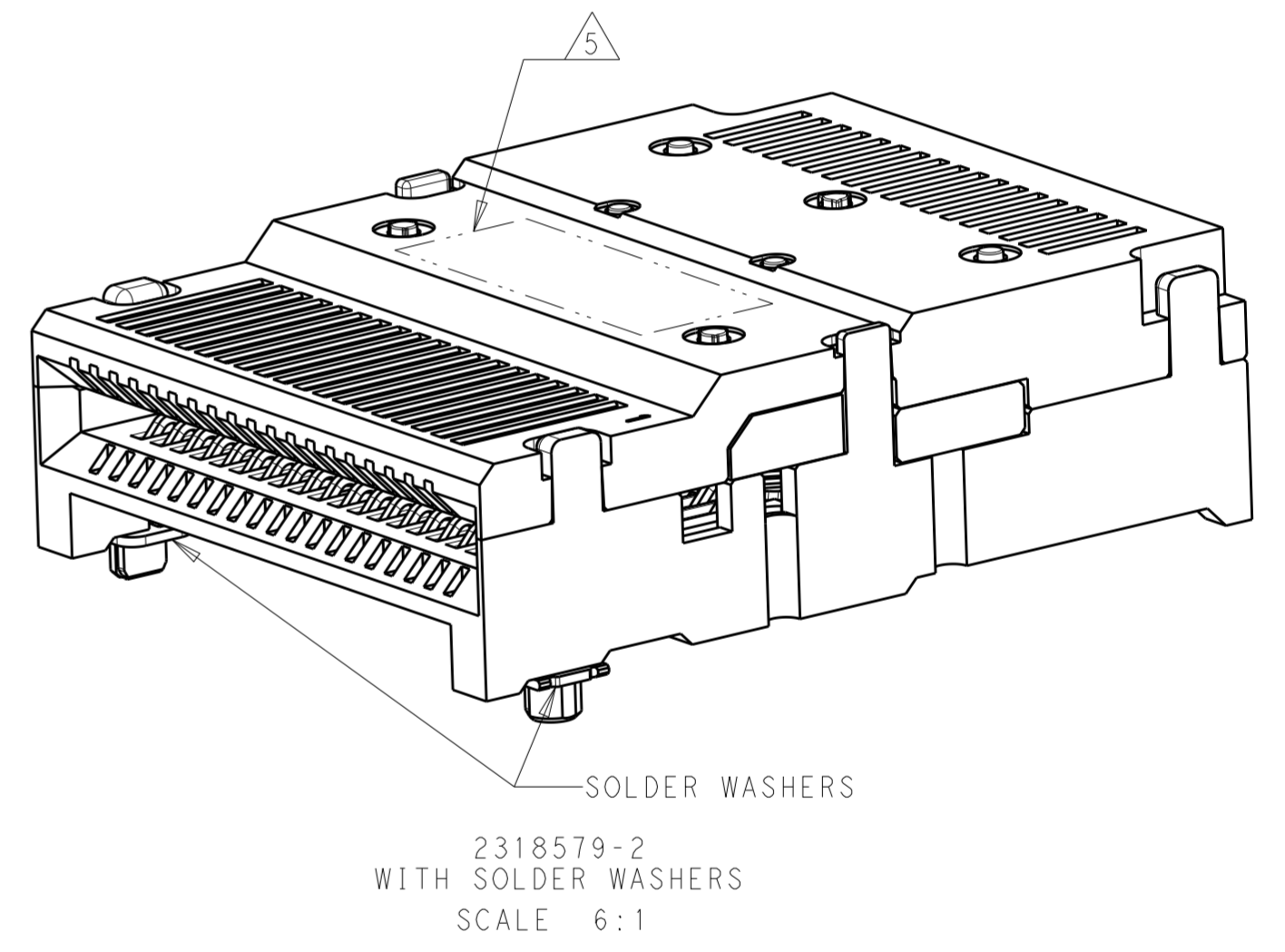
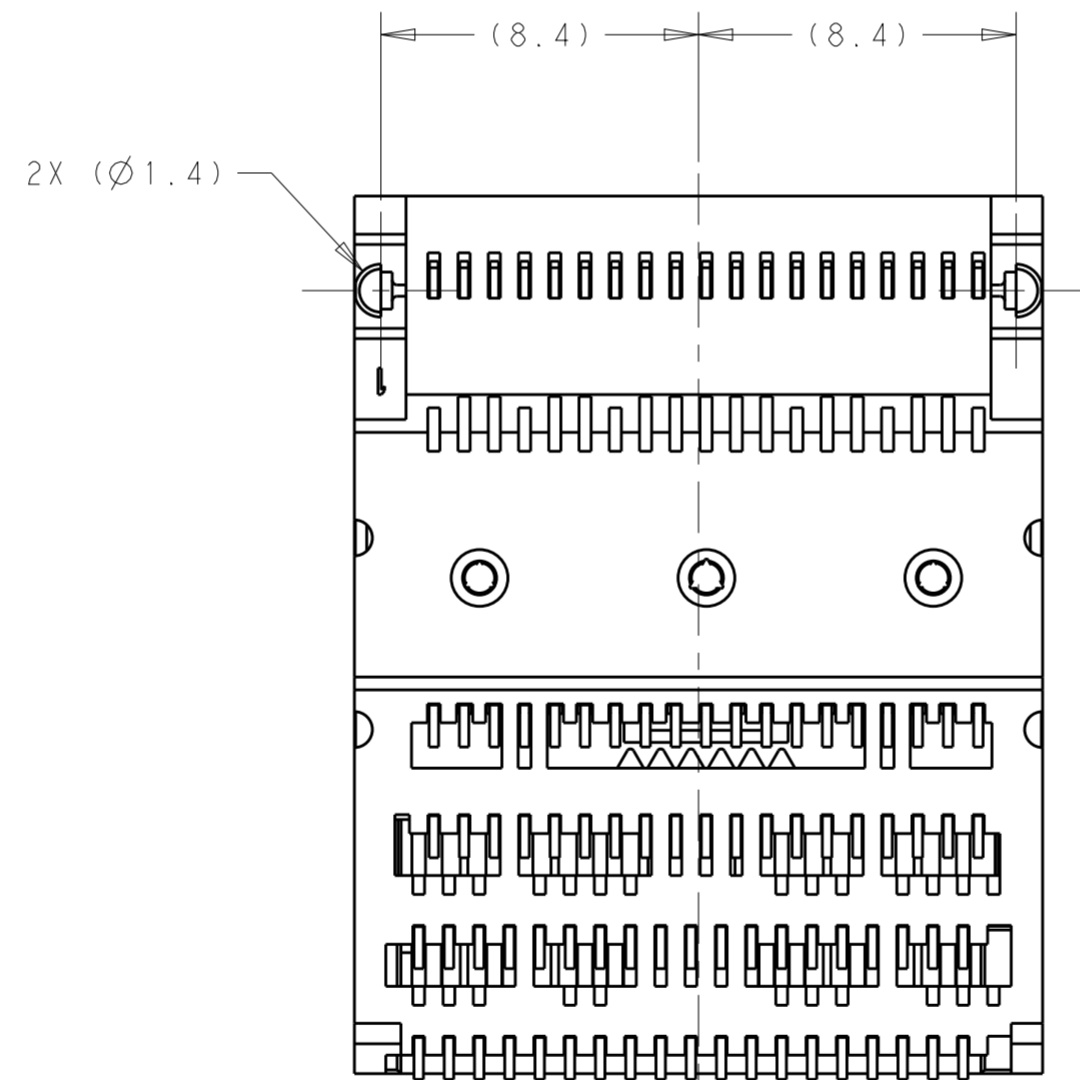
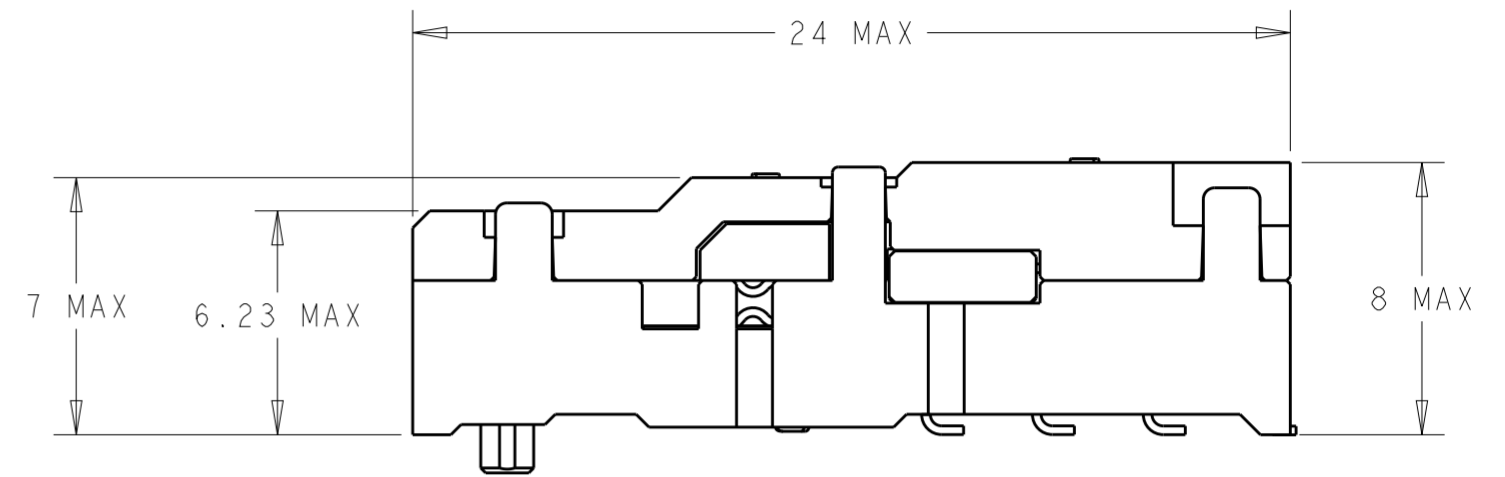
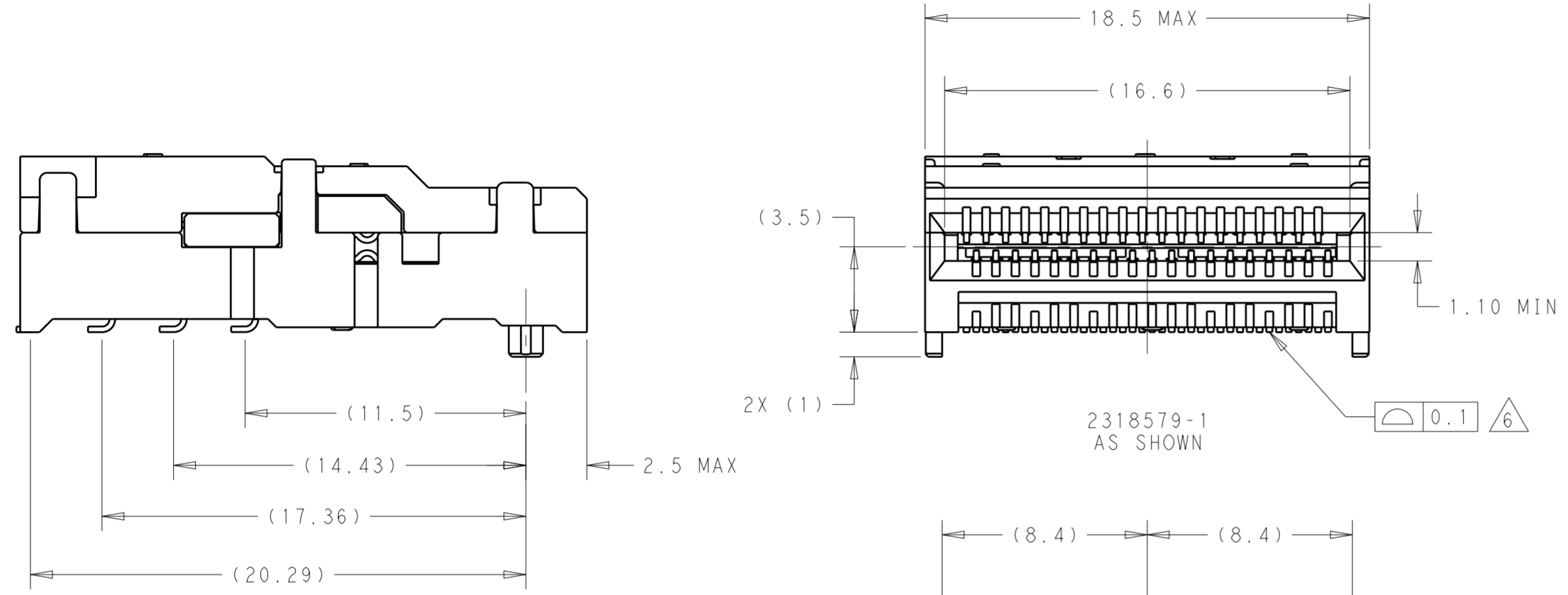


THIS DRAWING IS UNPUBLISHED. RELEASED FOR PUBLICATION 20
 © COPYRIGHT 20 BY - ALL RIGHTS RESERVED.

REVISIONS				
P	LTR	DESCRIPTION	DATE	APVD
A		RELEASED PER ECO-19-011564	29JUL2019	CJV MJP



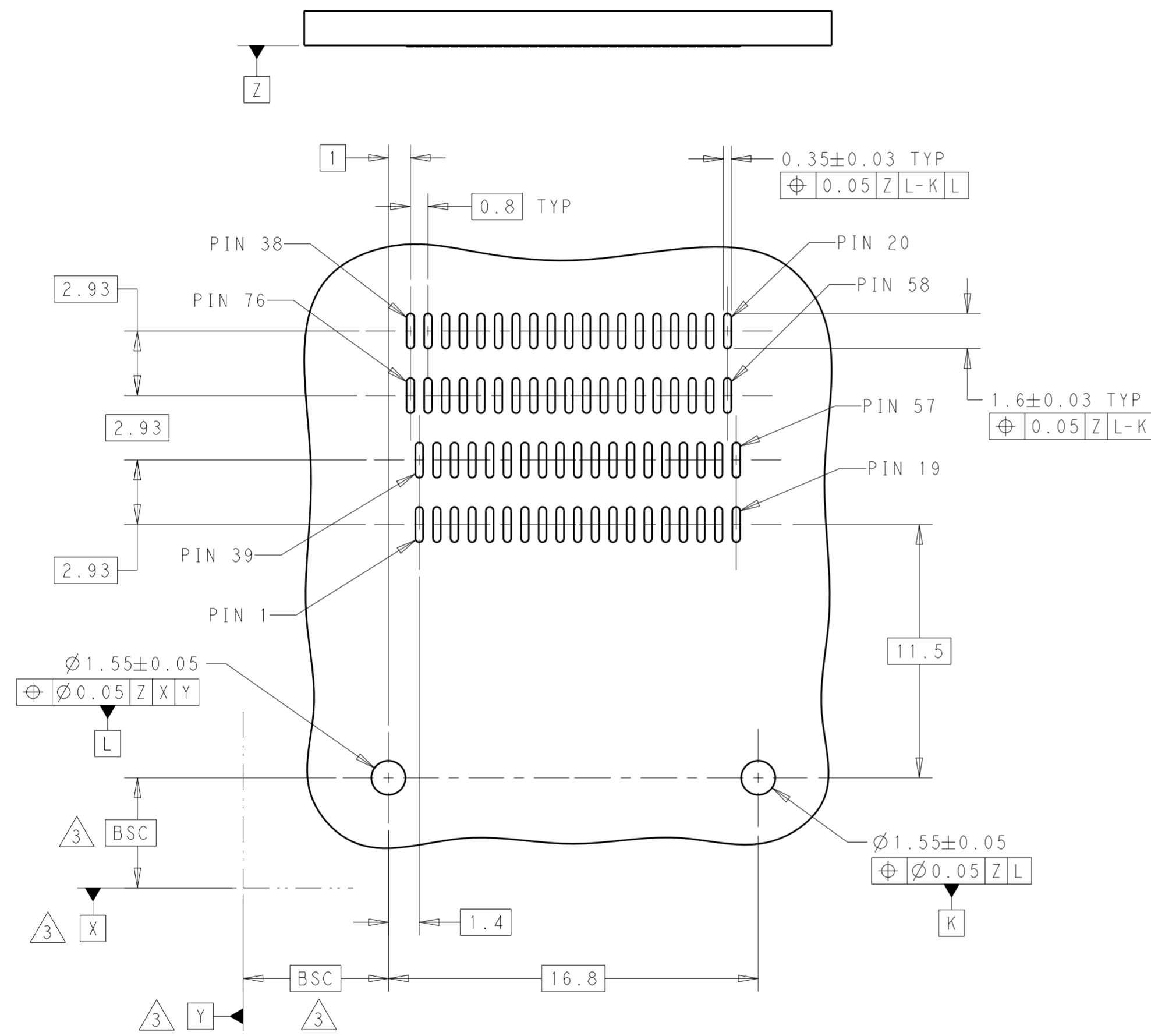
- 1 HOUSINGS AND CONTACT OVERMOLDS: LCP, BLACK.
CONTACTS: COPPER ALLOY.
SOLDER WASHERS: NICKEL SILVER.
- 2 CONTACTS - 0.76µm GOLD ON MATING INTERFACE.
TIN PLATED ON PCB TAILS.
- 3. MINIMUM PC BOARD THICKNESS:
SINGLE SIDED: 1.57 MIN
DOUBLE SIDED: 2.20 MIN
- 4 DATUM AND BASIC DIMENSION ESTABLISHED BY CUSTOMER.
- 5 PART NUMBER AND DATE CODE MARKED IN APPROXIMATE AREA SHOWN.
- 6 APPLIES TO 76 CONTACT SOLDER TAILS FOR 2318579-1.
APPLIES TO 76 CONTACT SOLDER TAILS AND 2 SOLDER HOLD
DOWNS FOR 2318579-2.

PACKAGING	DESCRIPTION	PART NUMBER
TAPE AND REEL	WITH SOLDER WASHERS	2318579-2
TAPE AND REEL	AS SHOWN	2318579-1

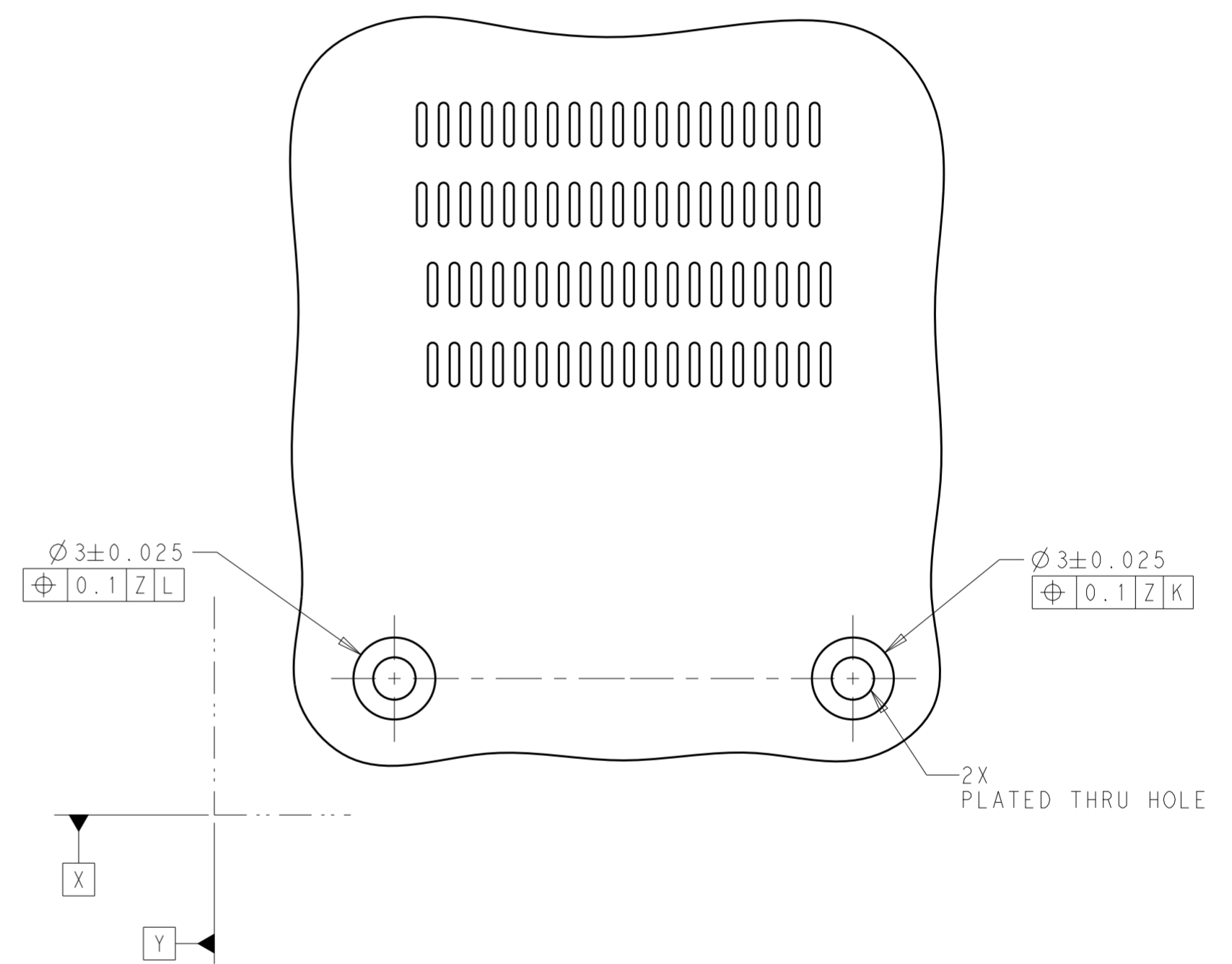
THIS DRAWING IS A CONTROLLED DOCUMENT.		DWN M. SHIRK 17APR2017	STE TE Connectivity	
		CHK J. WESTMAN 17APR2017		
DIMENSIONS: mm		APVD -	NAME RECEPTACLE CONNECTOR, 76 POSITION, QSFP DD	
TOLERANCES UNLESS OTHERWISE SPECIFIED:		PRODUCT SPEC 108-130016	SIZE A2	
0 PLC ±0.1		APPLICATION SPEC 114-130007	CAGE CODE -	DRAWING NO. C-2318579
1 PLC ±0.1		WEIGHT -	RESTRICTED TO -	
2 PLC ±0.1		CUSTOMER DRAWING	SCALE 5:1	SHEET 1 OF 3
3 PLC ±				REV A
4 PLC ±				
ANGLES ±				
FINISH ±				

THIS DRAWING IS UNPUBLISHED. RELEASED FOR PUBLICATION 20
 © COPYRIGHT 20 BY - ALL RIGHTS RESERVED.


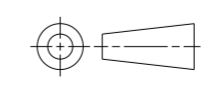
REVISIONS				
P	LTR	DESCRIPTION	DATE	APVD
-	-	SEE SHEET 1	-	-



2318579-1
RECOMMENDED PCB LAYOUT

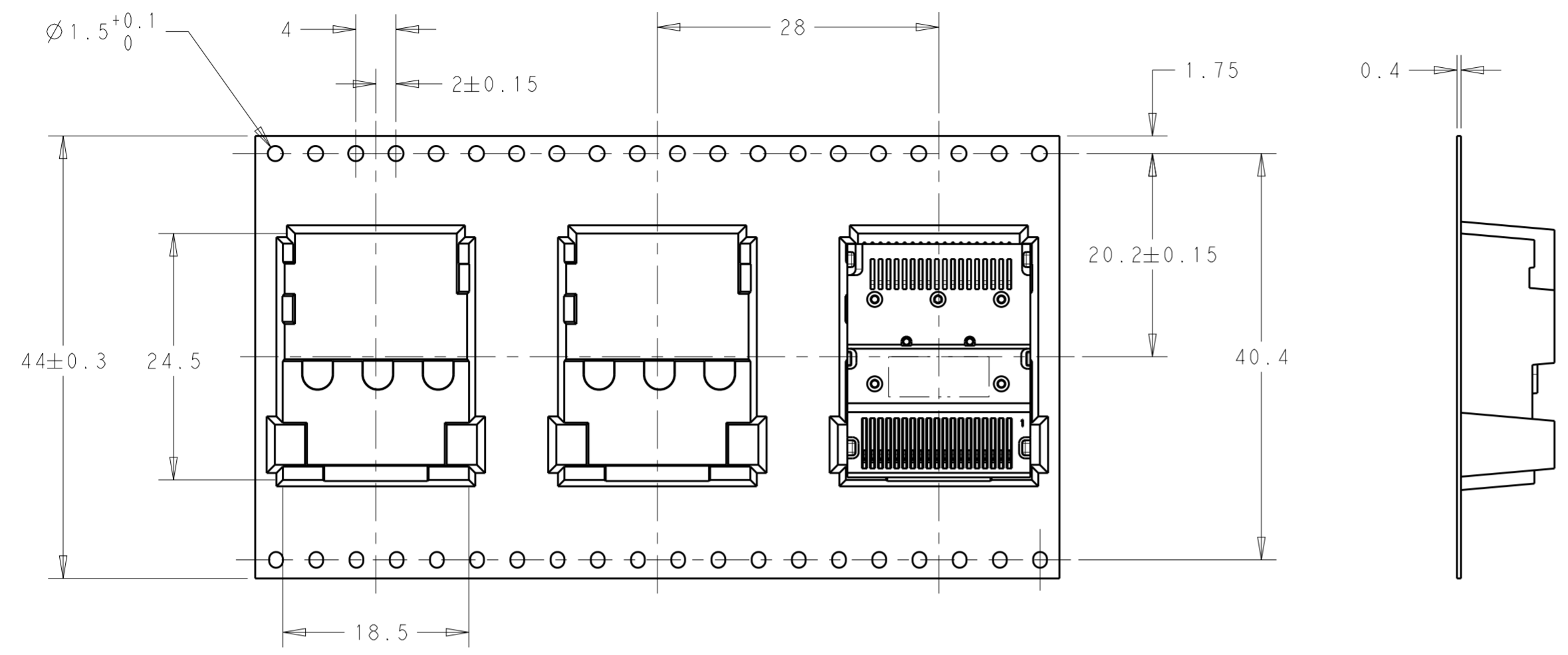


2318579-2
RECOMMENDED PCB LAYOUT
SAME AS 2318579-1 EXCEPT AS NOTED

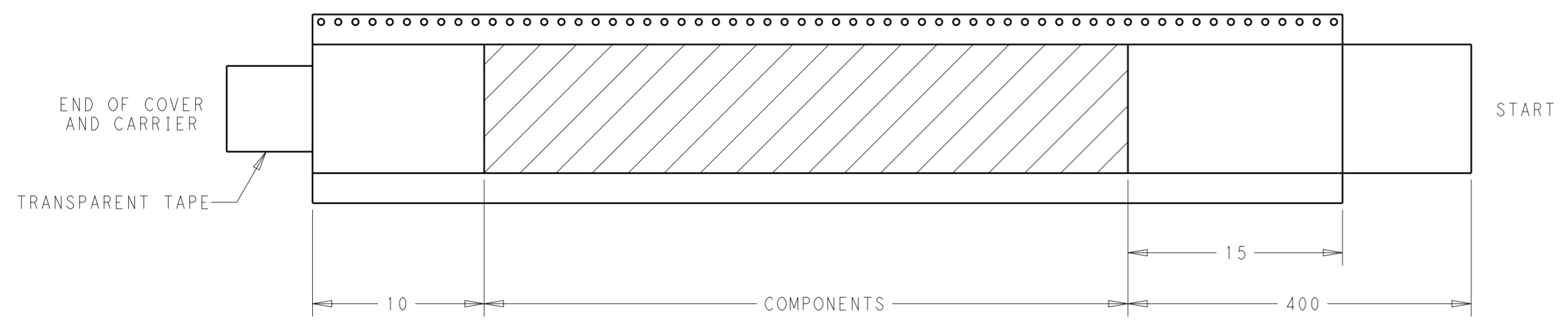
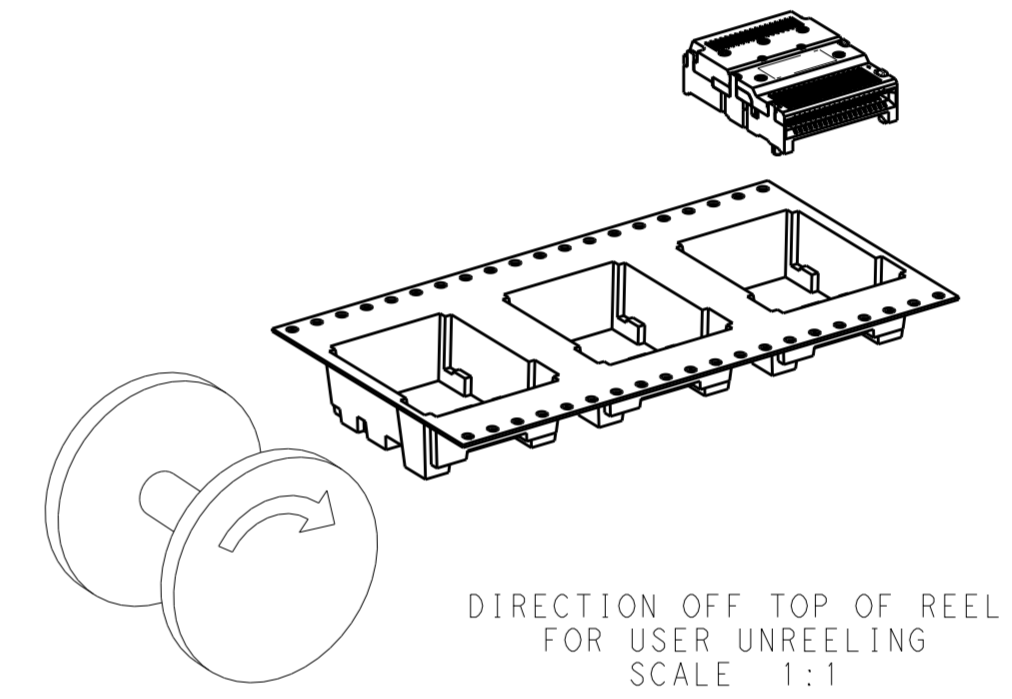
THIS DRAWING IS A CONTROLLED DOCUMENT.		DWN M. SHIRK 17APR2017	 TE Connectivity	
		CHK J. WESTMAN 17APR2017		
DIMENSIONS: mm		APVD -	NAME RECEPTACLE CONNECTOR, 76 POSITION, QSFP DD	
		PRODUCT SPEC 108-130016	SIZE A2	
TOLERANCES UNLESS OTHERWISE SPECIFIED: 0 PLC ±0.1 1 PLC ±0.1 2 PLC ±0.1 3 PLC ± 4 PLC ± ANGLES ± FINISH -		APPLICATION SPEC 114-130007	CAGE CODE -	DRAWING NO C-2318579
MATERIAL -		WEIGHT -	RESTRICTED TO -	SCALE 5:1
		CUSTOMER DRAWING	SHEET 2 OF 3	REV A

THIS DRAWING IS UNPUBLISHED. RELEASED FOR PUBLICATION 20
 © COPYRIGHT 20 BY - ALL RIGHTS RESERVED.

REVISIONS				
P	LTR	DESCRIPTION	DATE	APVD
-	-	SEE SHEET 1	-	-



SCALE 2:1



THIS DRAWING IS A CONTROLLED DOCUMENT.		DWN M. SHIRK 17APR2017	TE Connectivity	
		CHK J. WESTMAN 17APR2017		
DIMENSIONS: mm		APVD -	NAME RECEPTACLE CONNECTOR, 76 POSITION, QSFP DD	
TOLERANCES UNLESS OTHERWISE SPECIFIED:		PRODUCT SPEC 108-130016	RESTRICTED TO	
0 PLC ±0.1		APPLICATION SPEC 114-130007	SIZE A2	CAGE CODE -
1 PLC ±0.1		WEIGHT -	DRAWING NO C-2318579	SCALE 5:1
2 PLC ±0.1		CUSTOMER DRAWING	SHEET 3 OF 3	REV A
3 PLC ±				
4 PLC ±				
ANGLES ±				
FINISH -				
MATERIAL -				