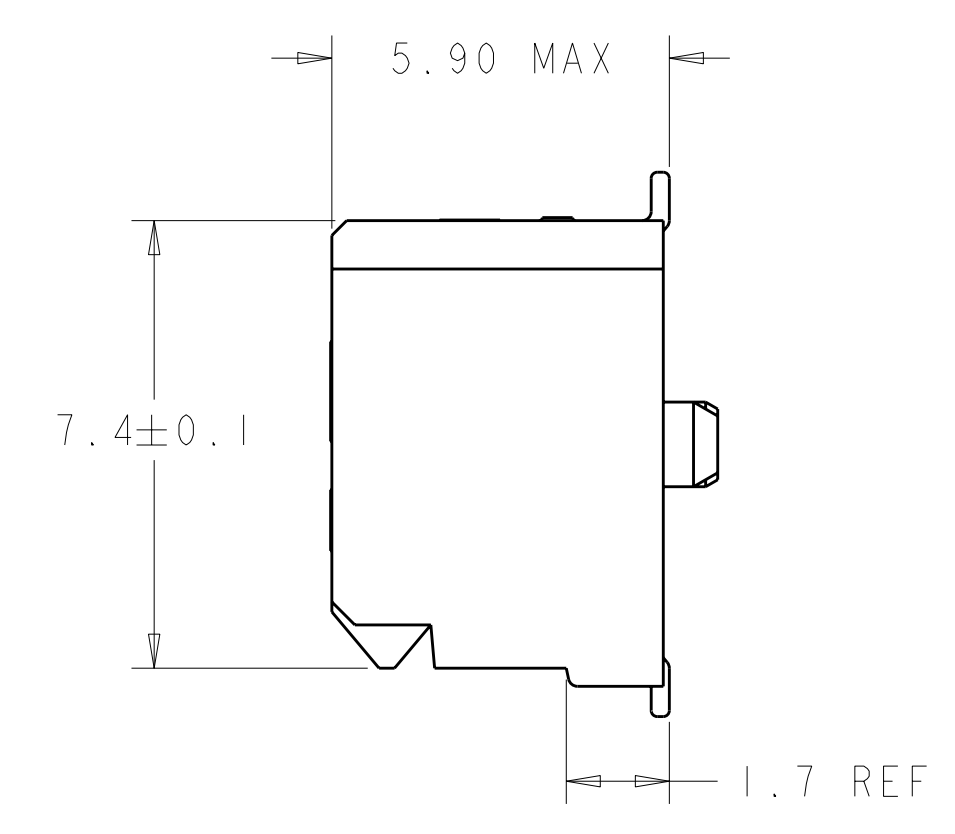
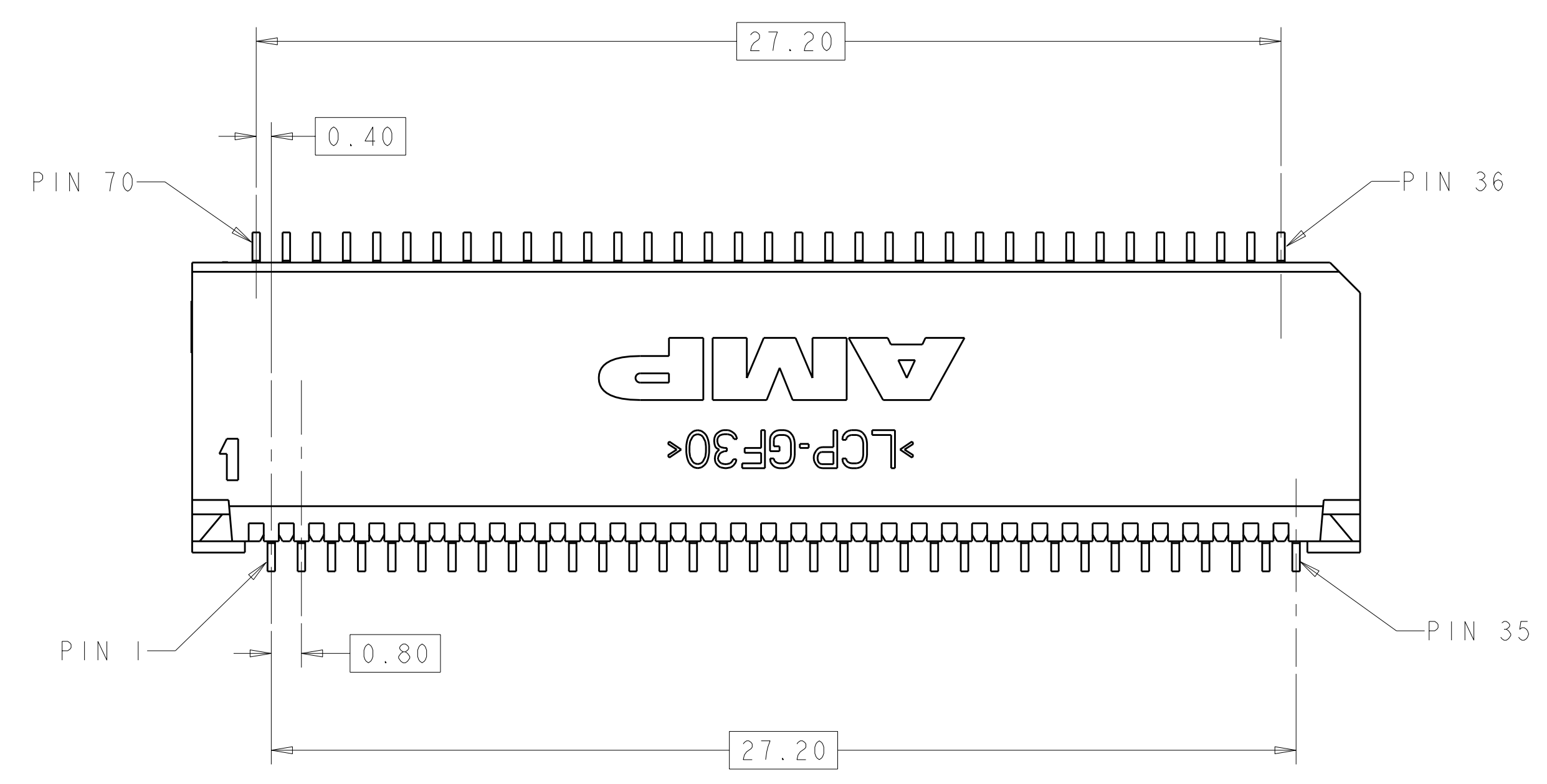
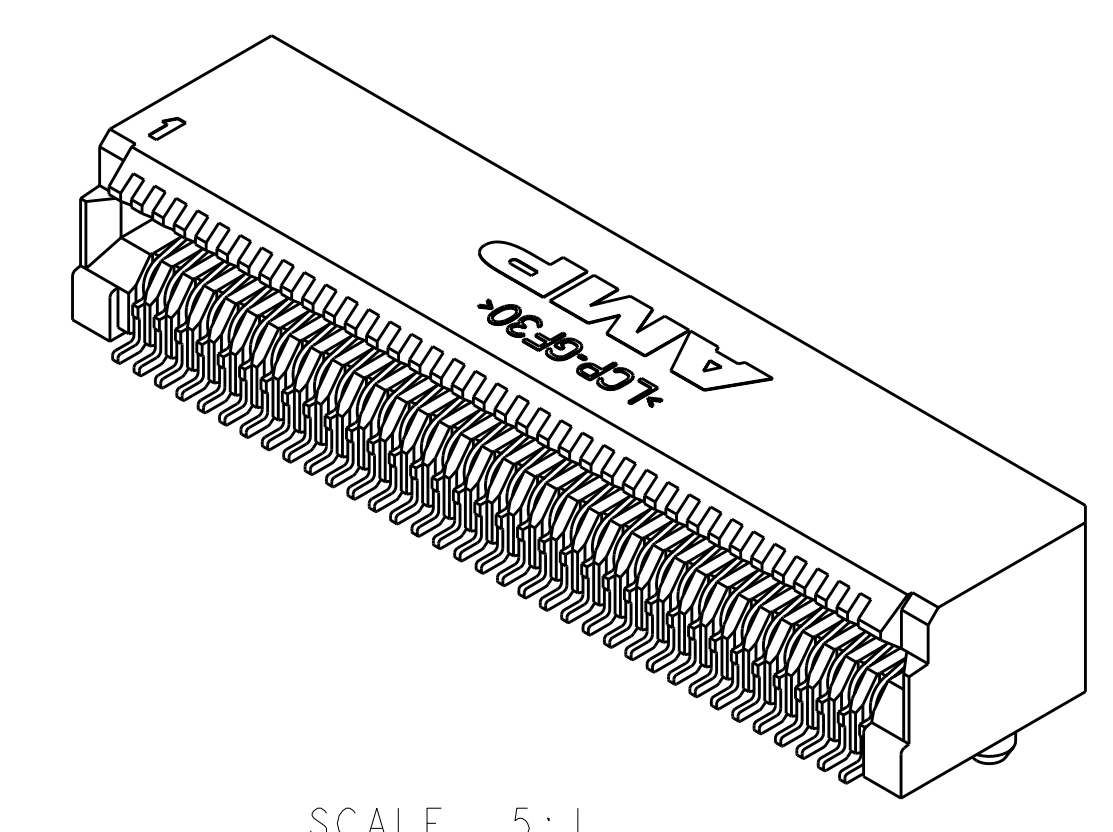


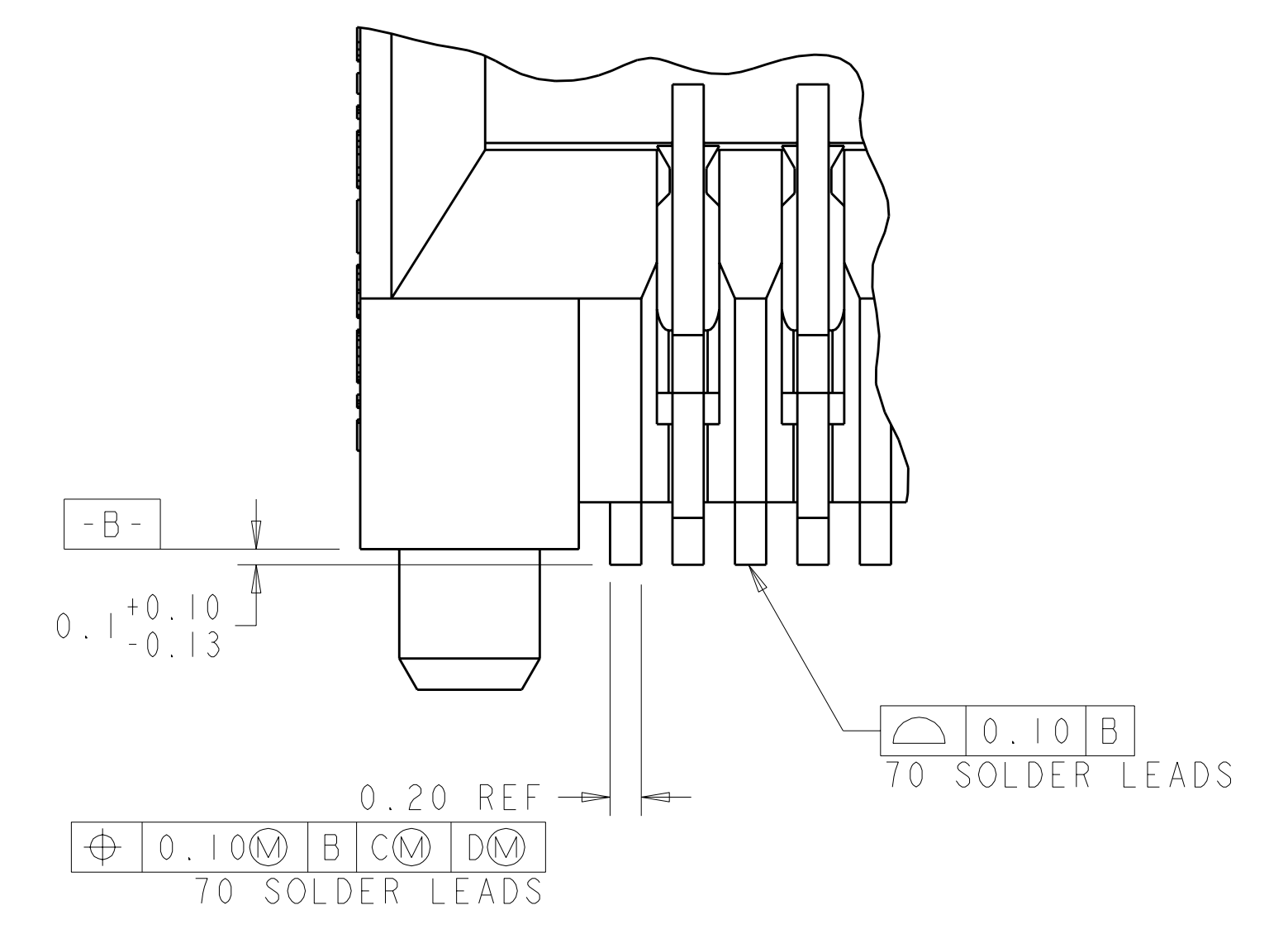
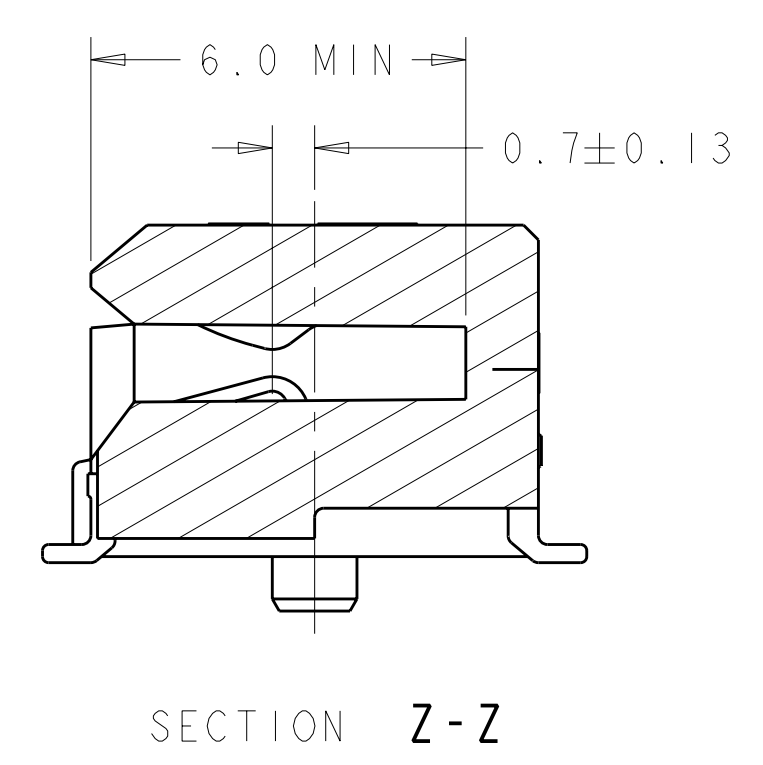
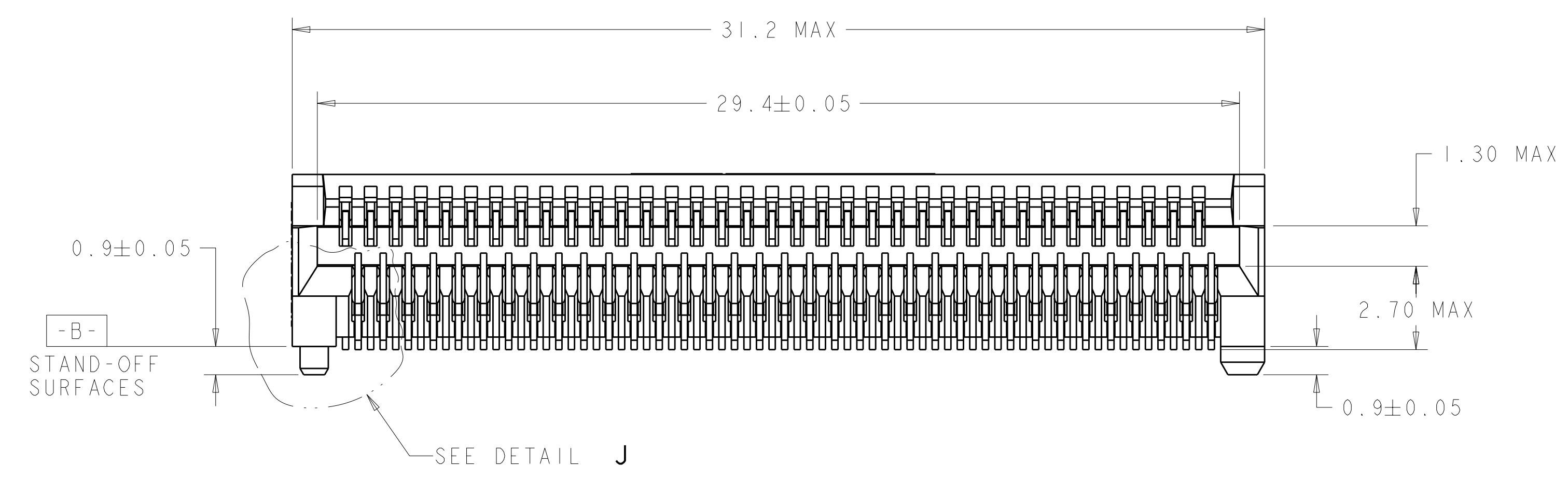
LOC	DIST	REV	DATE	BY	APPD
ES	00				
REVISIONS					
REV	DATE	DESCRIPTION	DATE	BY	APPD
A	22FEB06	REVISED PER EC 0513-0307-05	22FEB06	BM	SS
B	23FEB06	REVISED PER EC 0513-0220-05	23FEB06	BM	SS
C	15NOV06	REVISED PER ECO-06-011603	15NOV06	BM	SS
D	25OCT07	REVISED PER ECR-07-025522	25OCT07	LL	SY



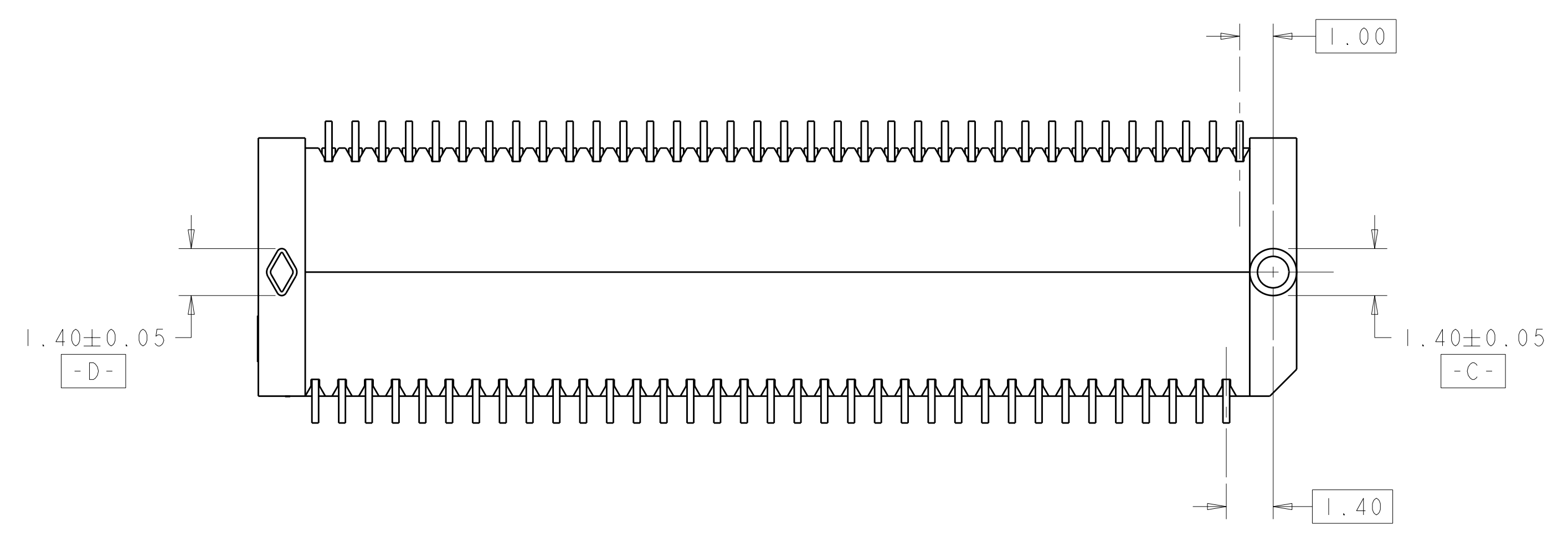
- PART COMPATIBLE WITH XENPAK & X2 MSA. REFER TO THESE MSA'S FOR DIMENSIONS NOT SHOWN ON THIS PRINT.
- HOUSING: HIGH TEMPERATURE LCP, UL 94V-0 RATED, BLACK. CONTACTS: PHOSPHOR BRONZE.
- CONTACTS: 0.00076 MIN GOLD IN CONTACT AREA, 0.00013 MIN GOLD ON SOLDER AREA, OVER 0.0038 MIN NICKEL UNDERPLATE ON ENTIRE CONTACT. LUBRICANT ON GOLD PLATE CONTACT AREAS.
- PACKAGED 480 PIECES PER REEL.
- GROUND, POWER AND SIGNAL PAD ARRANGEMENT TO BE DETERMINED BY CUSTOMER.



SCALE 5:1



SCALE 25:1

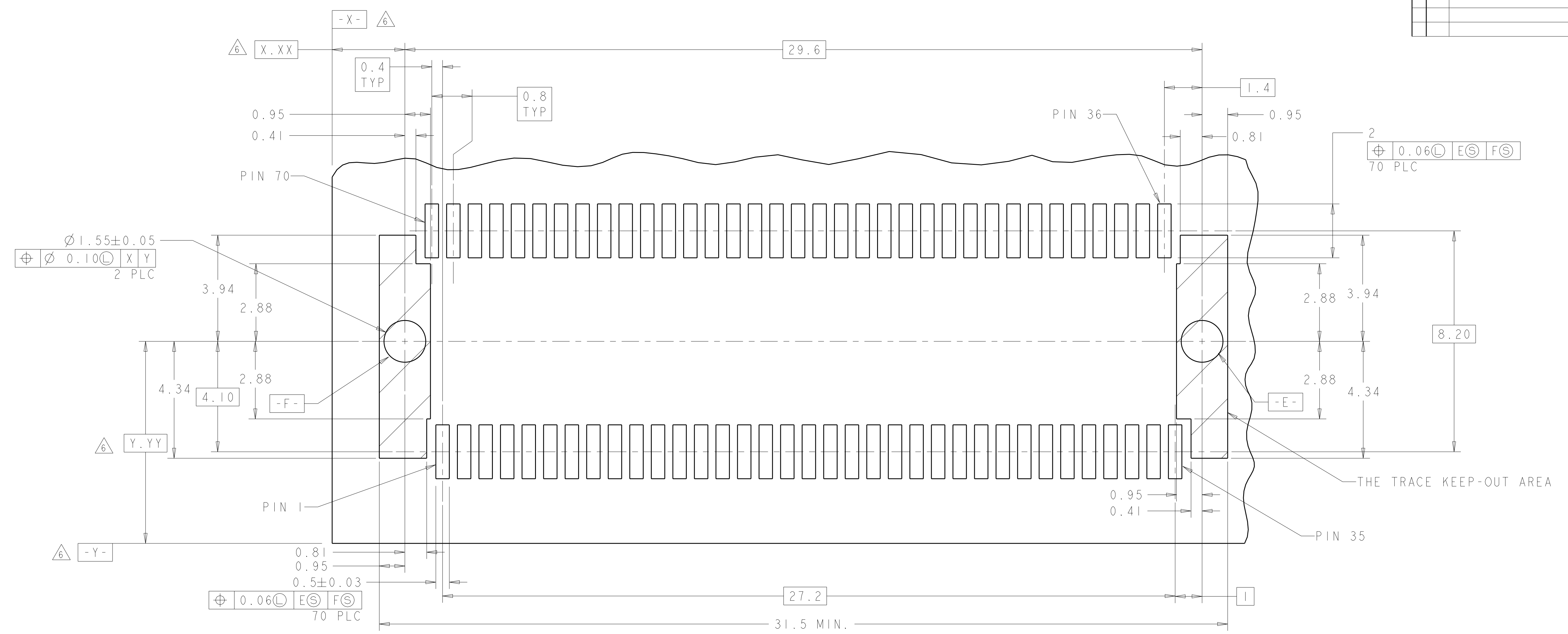


FINISH	1658198-1
PART NUMBER	

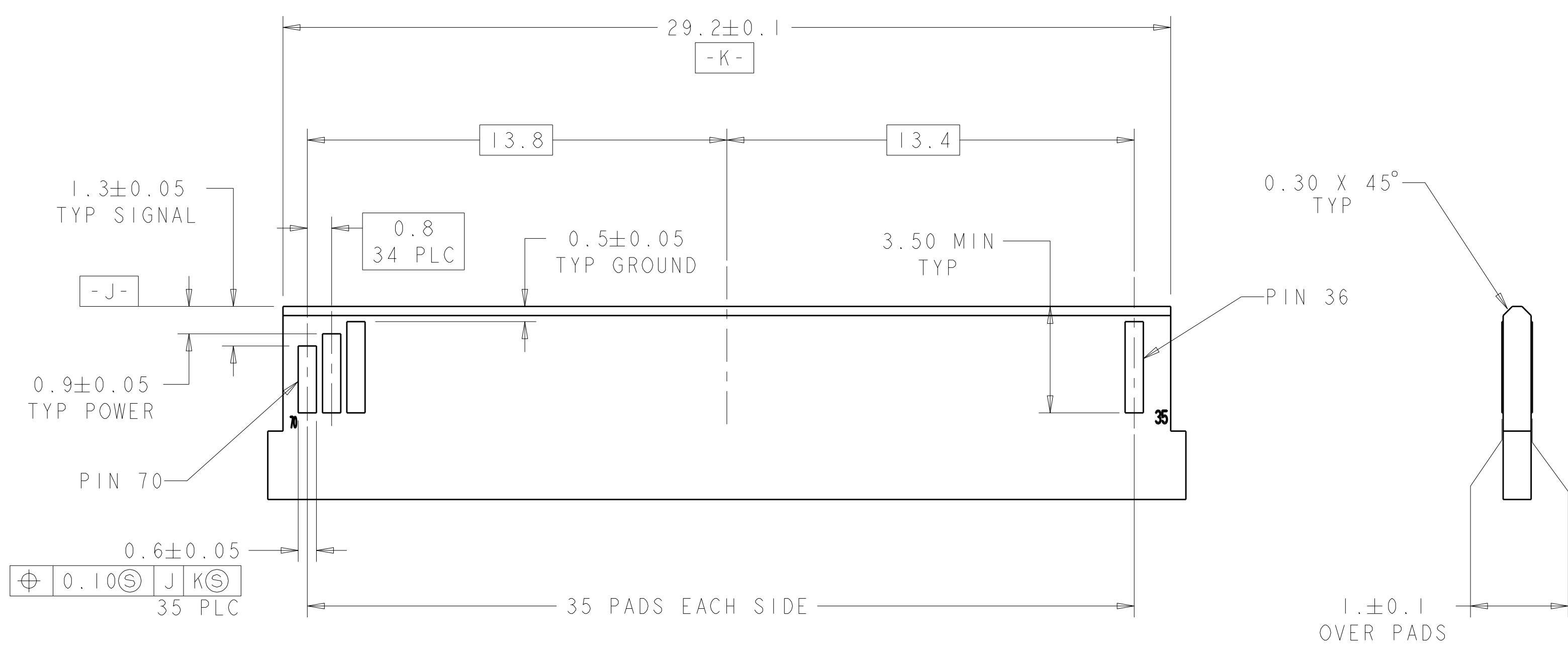
DIMENSIONS: mm 9 PLC ± 1 PLC ±0.10 5 PLC ± 4 PLC ± ANGLES ±		TOLERANCES UNLESS OTHERWISE SPECIFIED: 9 PLC ± 1 PLC ±0.10 5 PLC ± 4 PLC ± ANGLES ±		DWN J GERACE 25NOV02 CHK J KOPPENHEFFER APVD M WALMSLEY 02SEP03 PRODUCT SPEC 108-1949 APPLICATION SPEC 114-13017 WEIGHT CUSTOMER DRAWING		Tyco Electronics Corporation Shanghai, P.R.China. 200233 NAME PT CONNECTOR ASSEMBLY, ENHANCED PERFORMANCE, 70 POSITION, RIGHT ANGLE, 0.8MM PITCH SIZE CAGE CODE DRAWING NO. 00779 C=1658198 SCALE 8:1 SHEET 1 OF 2 REV D	
--	--	--	--	--	--	--	--

LOC	DIST	REV	DATE	BY	APPD
ES	00				

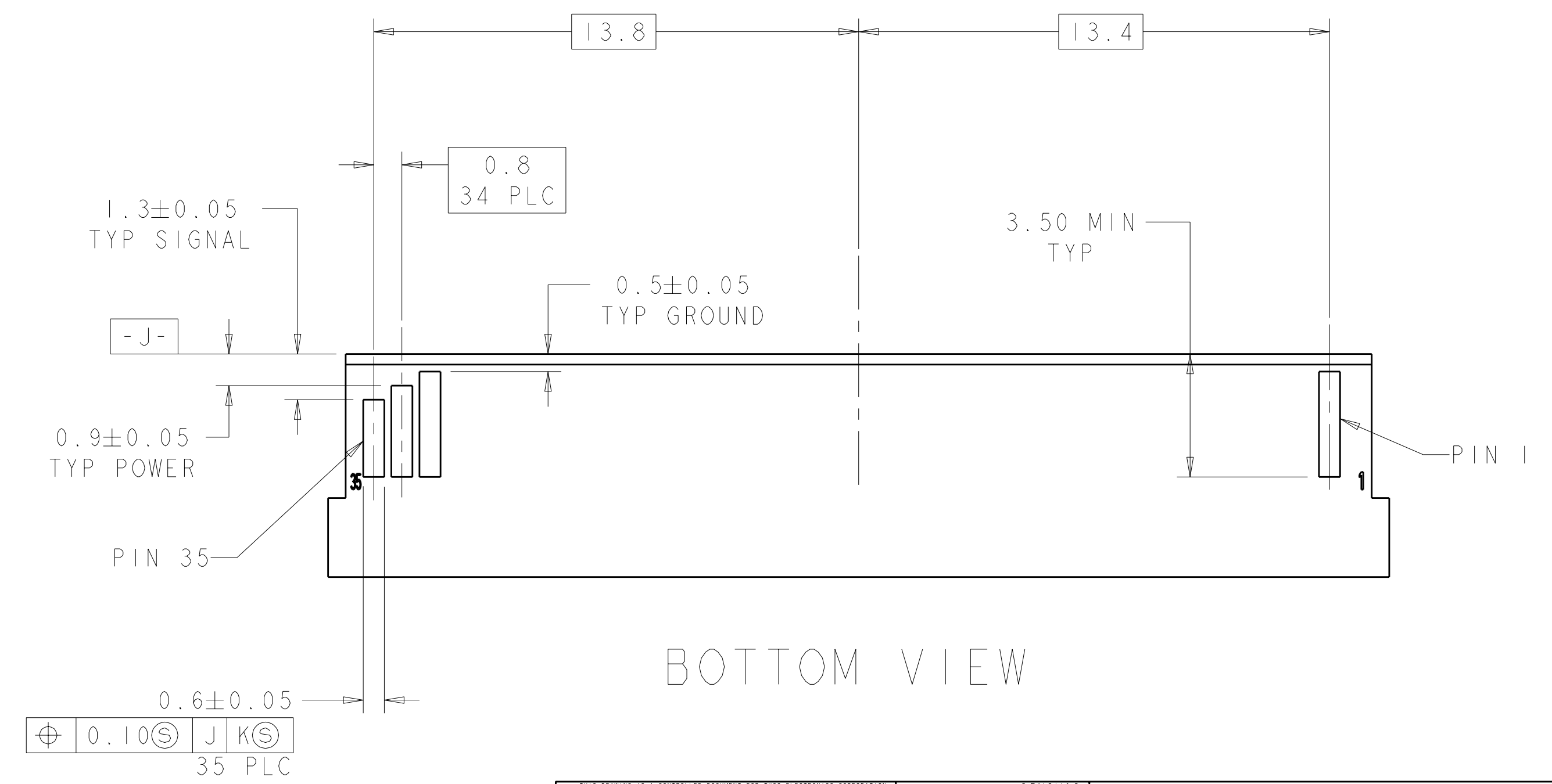
REVISIONS		DATE	BY	APPD
-	SEE SHEET 1	-	-	-



RECOMMENDED PCB LAYOUT DETAIL
 CONNECTOR MOUNTING SIDE
 SCALE 12:1



TOP VIEW



BOTTOM VIEW

RECOMMENDED LAYOUT DETAIL
 MATING PCB

DIMENSIONS: mm 		TOLERANCES UNLESS OTHERWISE SPECIFIED: 9 PLC ± 1 PLC ±0.10 5 PLC ± 4 PLC ± ANGLES ±		DWN J.GERACE 25NOV02 CHK J.KOPPENHEFFER 02SEP03 APVD M.WALMSLEY 02SEP03 PRODUCT SPEC APPLICATION SPEC WEIGHT CUSTOMER DRAWING		Tyco Electronics Corporation Shanghai, P.R.China. 200233 NAME PT CONNECTOR ASSEMBLY, 70 POS, ENHANCED PERFORMANCE, RIGHT ANGLE, 0.8mm PITCH SIZE CAGE CODE DRAWING NO RESTRICTED TO A11 00779 C=1658198 SCALE 8:1 SHEET 2 OF 2 REV D	
-----------------------	--	--	--	---	--	---	--