

1-1924067-5 ✓ ACTIVE

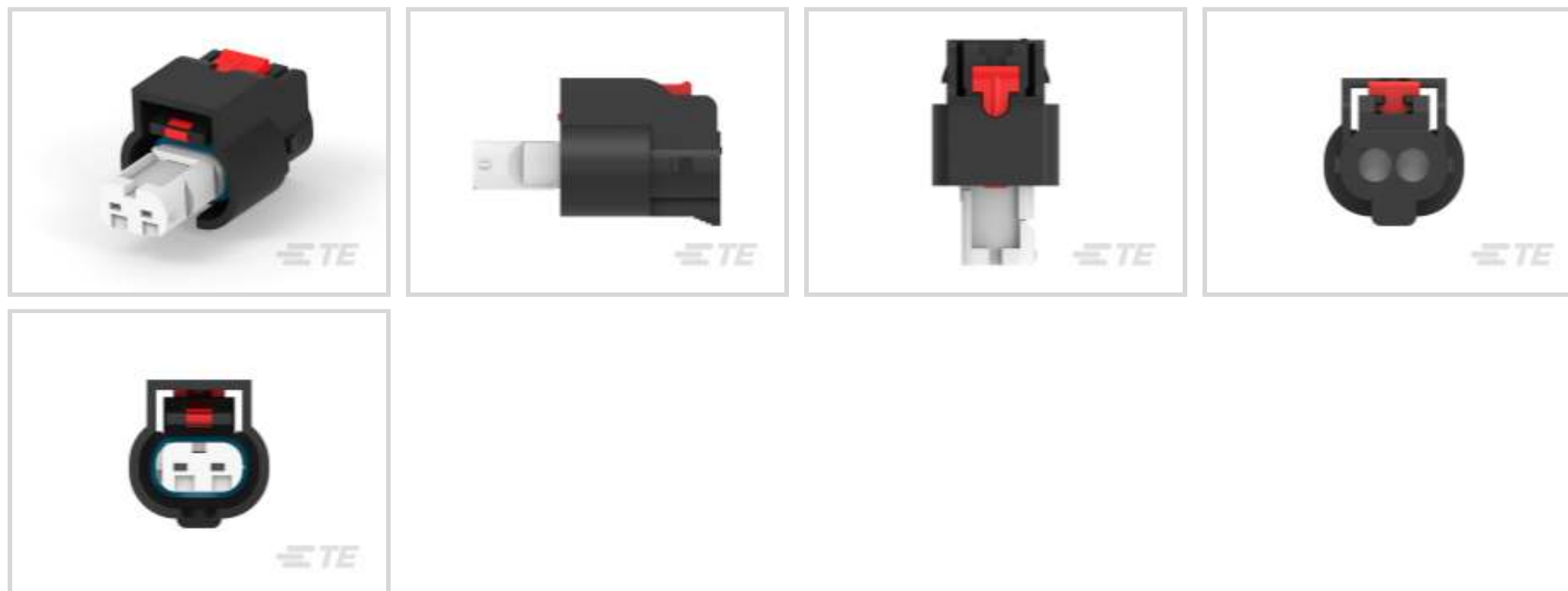


TE Internal #: 1-1924067-5

Housing for Female Terminals, Wire-to-Board / Wire-to-Wire, 2 Position, .157 in [4 mm] Centerline, Sealable, Natural, Wire & Cable, Signal

[View on TE.com >](#)

Connectors > Automotive Connectors > Automotive Housings



Connector & Housing Type: **Housing for Female Terminals**

Connector System: **Wire-to-Board, Wire-to-Wire**

Number of Positions: **2**

Centerline (Pitch): **4 mm [.157 in]**

Sealable: **Yes**

Features

Product Type Features

Connector Shape	Rectangular
Connector & Housing Type	Housing for Female Terminals
Connector System	Wire-to-Board, Wire-to-Wire
Sealable	Yes
Hybrid Connector	No
Primary Locking Feature	Integrated in Housing
Connector & Contact Terminates To	Wire & Cable

Configuration Features

Number of Positions	2
Number of Rows	1

Electrical Characteristics

Nominal Voltage Architecture	12 V
------------------------------	------

Body Features

Primary Product Color	Natural
-----------------------	---------



Connector & Keying Code	B
-------------------------	---

Contact Features

Contact Size	1.2mm
--------------	-------

Mechanical Attachment

Mating Alignment Type	Keyed
-----------------------	-------

Mating Alignment	With
------------------	------

Connector Mounting Type	Cable Mount (Free-Hanging)
-------------------------	----------------------------

Housing Features

Centerline (Pitch)	4 mm [.157 in]
--------------------	----------------

Dimensions

Connector Height	15.8 mm [.622 in]
------------------	-------------------

Product Width	26.5 mm [1.04 in]
---------------	-------------------

Product Length	15 mm [.59 in]
----------------	----------------

Usage Conditions

Operating Temperature (Max)	125 °C [257 °F]
-----------------------------	-----------------

Operating Temperature Range	-40 – 125 °C [-40 – 257 °F]
-----------------------------	-----------------------------

Operation/Application

Circuit Application	Signal
---------------------	--------

Other

Connector Position Assurance Capable	Yes
--------------------------------------	-----

Product Compliance

[For compliance documentation, visit the product page on TE.com>](#)

EU RoHS Directive 2011/65/EU	Compliant
------------------------------	-----------

EU ELV Directive 2000/53/EC	Compliant
-----------------------------	-----------

China RoHS 2 Directive MIIT Order No 32, 2016	No Restricted Materials Above Threshold
---	---

EU REACH Regulation (EC) No. 1907/2006	Current ECHA Candidate List: JUNE 2023 (235) Candidate List Declared Against: JUNE 2023 (235) Does not contain REACH SVHC
--	---

Halogen Content	Low Halogen - Br, Cl, F, I < 900 ppm per homogenous material. Also BFR/CFR/PVC Free
-----------------	---

Solder Process Capability

Not applicable for solder process capability

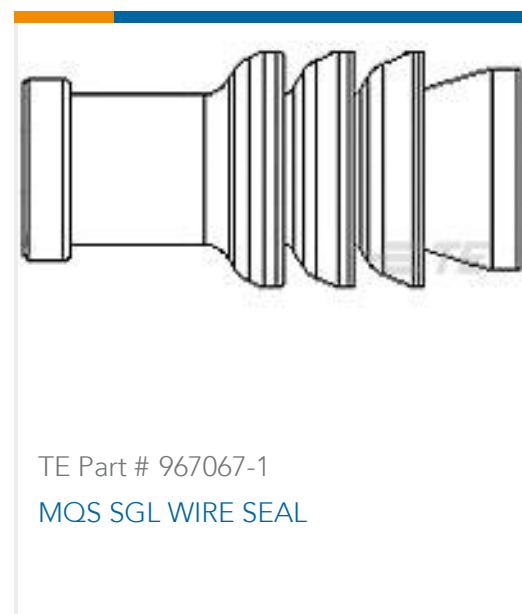
Product Compliance Disclaimer

This information is provided based on reasonable inquiry of our suppliers and represents our current actual knowledge based on the information they provided. This information is subject to change. The part numbers that TE has identified as EU RoHS compliant have a maximum concentration of 0.1% by weight in homogenous materials for lead, hexavalent chromium, mercury, PBB, PBDE, DBP, BBP, DEHP, DIBP, and 0.01% for cadmium, or qualify for an exemption to these limits as defined in the Annexes of Directive 2011/65/EU (RoHS2). Finished electrical and electronic equipment products will be CE marked as required by Directive 2011/65/EU. Components may not be CE marked. Additionally, the part numbers that TE has identified as EU ELV compliant have a maximum concentration of 0.1% by weight in homogenous materials for lead, hexavalent chromium, and mercury, and 0.01% for cadmium, or qualify for an exemption to these limits as defined in the Annexes of Directive 2000/53/EC (ELV). Regarding the REACH Regulation, the information TE provides on SVHC in articles for this part number is based on the latest European Chemicals Agency (ECHA) 'Guidance on requirements for substances in articles' posted at this URL: <https://echa.europa.eu/guidance-documents/guidance-on-reach>

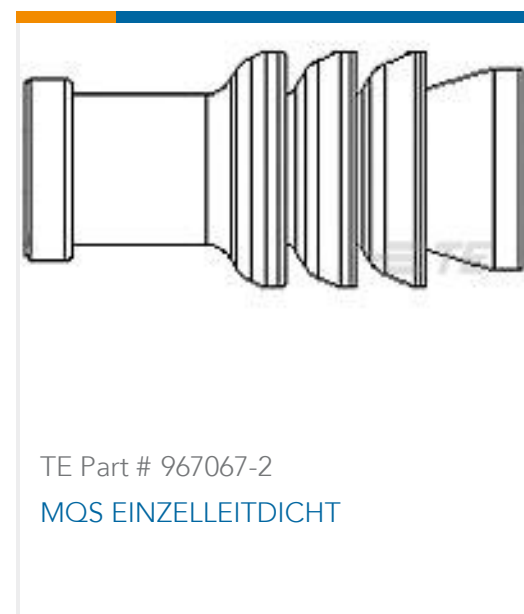
Compatible Parts



TE Part # 539635-1
ERGO HAND TOOL FRAME W/O DIES



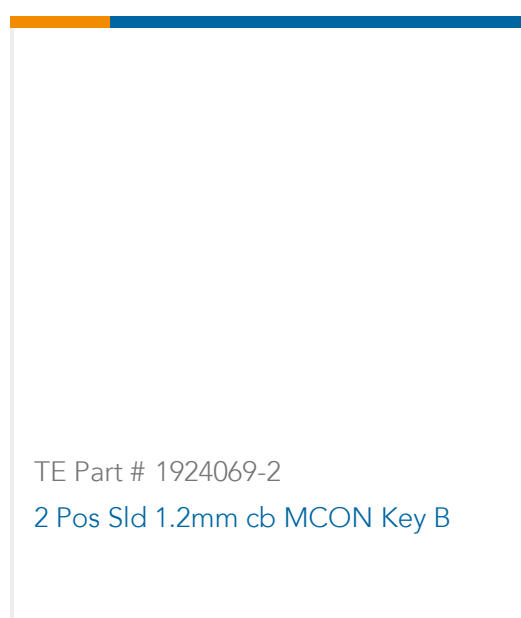
TE Part # 967067-1
MOS SGL WIRE SEAL



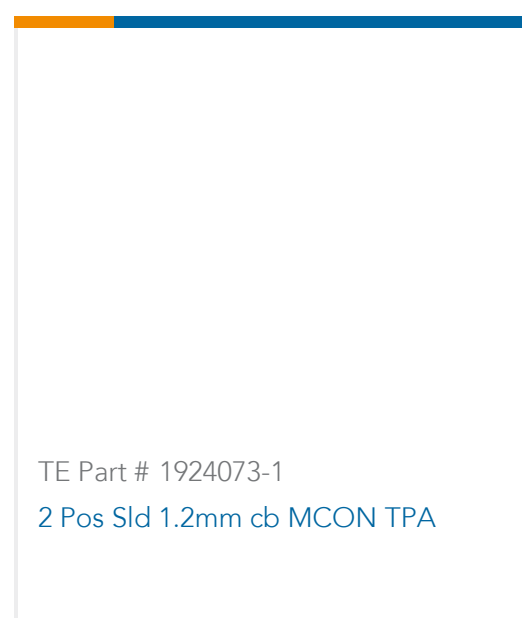
TE Part # 967067-2
MOS EINZELLEITDICHT



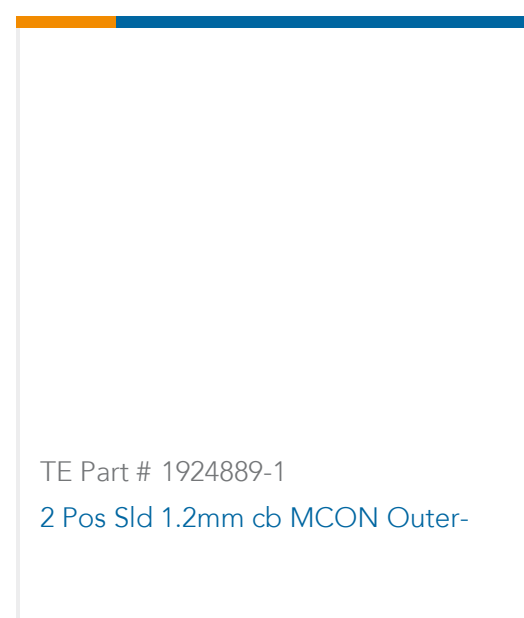
TE Part # CAT-M4595-T273
MCON Receptacle and Tab



TE Part # 1924069-2
2 Pos Slid 1.2mm cb MCON Key B



TE Part # 1924073-1
2 Pos Slid 1.2mm cb MCON TPA

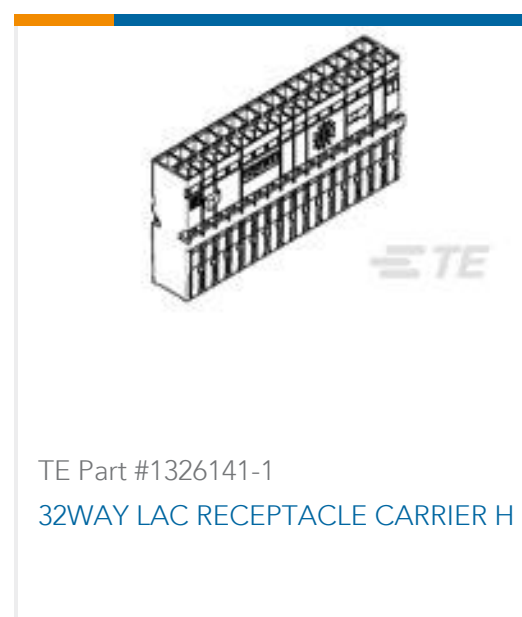


TE Part # 1924889-1
2 Pos Slid 1.2mm cb MCON Outer-

Customers Also Bought



TE Part #1393367-2
GET-SOCKET TERMINAL, SILVER VE



TE Part #1326141-1
32WAY LAC RECEPTACLE CARRIER H



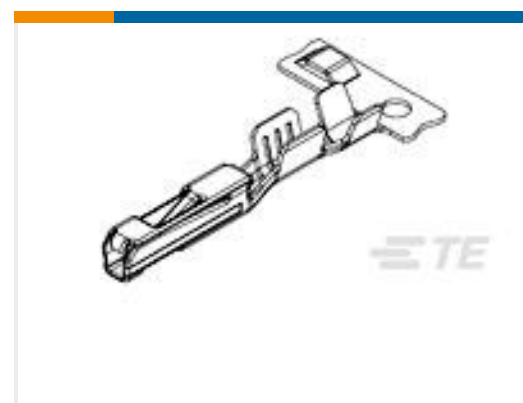
TE Part #1326140-1
32WAY LAC SHIELD ASSEMBLY 70 D



TE Part #1719826-5
SINGLE WIRE SEAL,8MM HV



TE Part #4-1488991-1
3POS, MCON 1.2 CB REC 2p TL
SEALED



TE Part #1326028-2
0.64MM FEMALE CONTACT,AU,
22AWG



TE Part #638551-2
CONTACT,FEMALE,0.64MM,SN,22



TE Part #2177787-1
2. LOCK,TE, IEC62196-2 TYPE 2,BK



TE Part #1-2318082-3
2POS,AMP MCP 2.8,REC HSG ASSY,
SLD



TE Part #2098963-1
30 WAY SHIELD ASSEMBLY, KEY AD

Documents

Product Drawings

[2POS, MCON 1.2 CB REC 2p TL SEALED](#)

English

CAD Files

Customer View Model

[ENG_CVM_CVM_1-1924067-5_C.2d_dxf.zip](#)

English

[3D PDF](#)

3D

Customer View Model

[ENG_CVM_CVM_1-1924067-5_C.3d_igs.zip](#)

English

Customer View Model

[ENG_CVM_CVM_1-1924067-5_C.3d_stp.zip](#)

English

By downloading the CAD file I accept and agree to the [Terms and Conditions](#) of use.

Datasheets & Catalog Pages

[MCON Interconnection System](#)

English

Product Environmental Compliance

[Product Compliance](#)

English

[Product Compliance](#)

English



Instruction Sheets

Instruction Sheet (U.S.)

English

Instruction Sheet (U.S.)

English