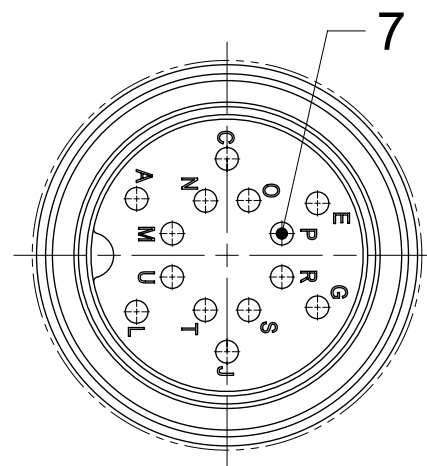


TABLE 1

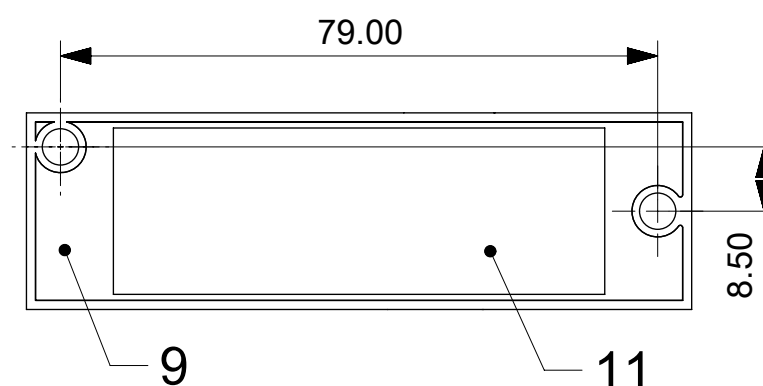
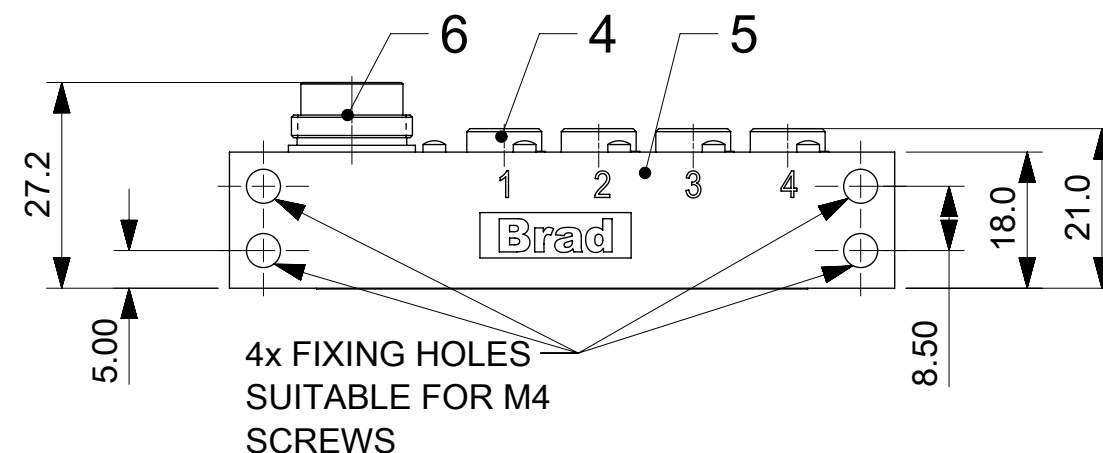
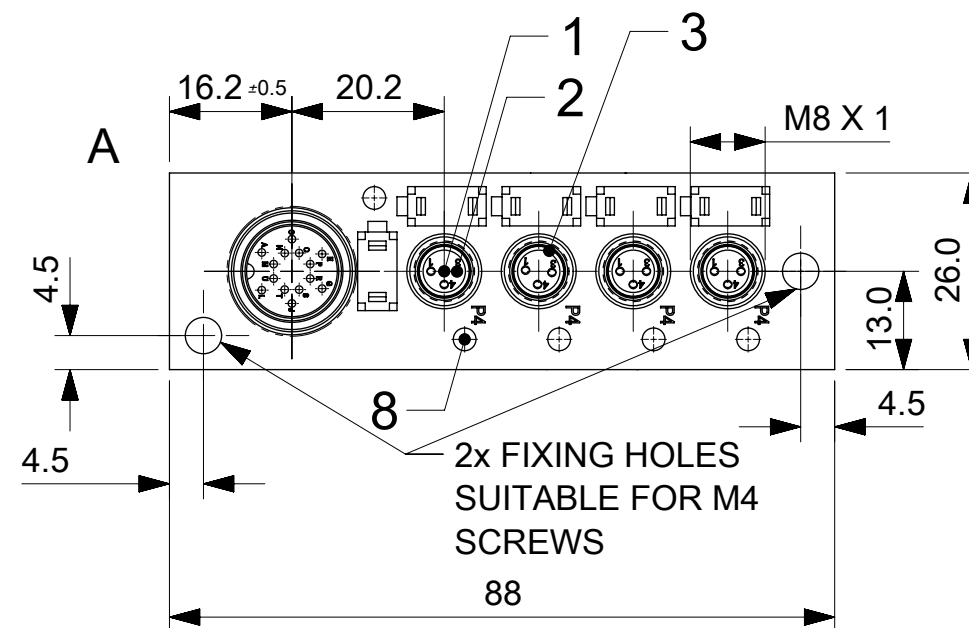
MOLEX PN	ENG. NO.	LED
1202470059	BNB401P-FBC	YES

TABLE 2 BILL OF MATERIAL

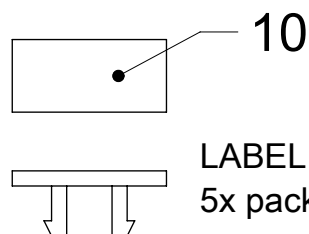
ITEM	DESCRIPTION	MATERIAL	FINISH
1	INSERT	TPU	BLACK
2	CONTACT	COPPER ALLOY	GOLD OVER NICKEL
3	O-RING	VITON	RED
4	RECEPTACLE SHELL	BRASS	NICKEL PLATED
5	HOUSING	PBT	BLACK
6	SHELL	BRASS	NICKEL PLATED
7	CONTACT	COPPER ALLOY	GOLD OVER NICKEL
8	LED	NO LED = PA	BLACK
		WITH LED = PA	TRANSPARENT
9	RESIN	EPOXY	TRANSPARENT
10	LABEL	ABS	WHITE
11	LABEL ADHESIVE	PE	WHITE



DETAIL A  
SCALE 3:1



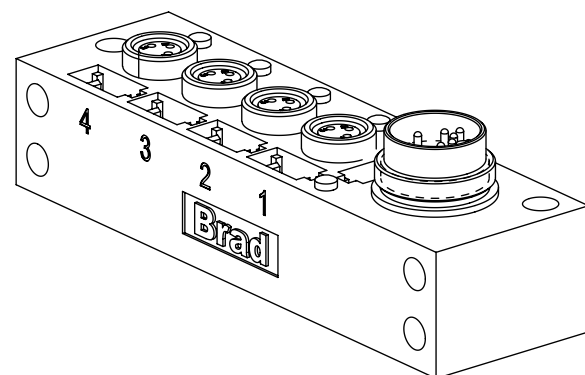
SCALE 2:1



LABEL  
5x packed in a bag.

GENERAL CHARACTERISTICS:

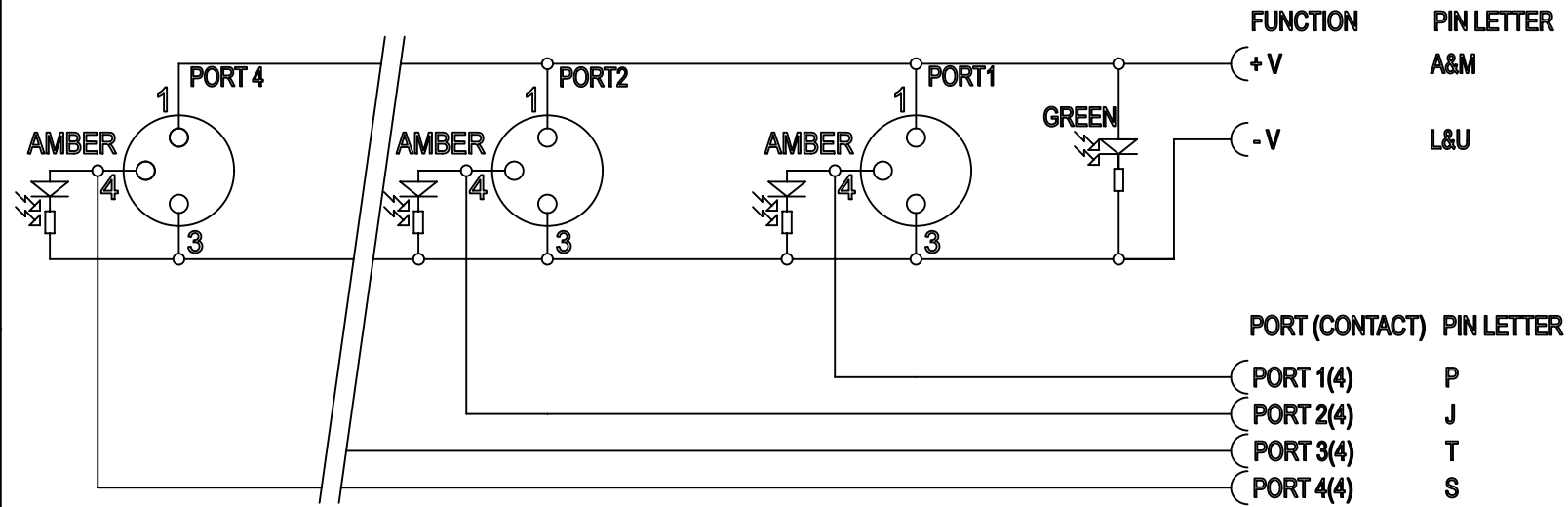
NOMINAL VOLTAGE: 24 V DC  
 RATED CURRENT: 2 A PER PORT / 6 A MAX: TOTAL  
 IP DEGREE OF PROTECTION: IP 67  
 TEMPERATURE RANGE: -25°C to + 85°C



THIS DRAWING CONTAINS INFORMATION THAT IS PROPRIETARY TO MOLEX INCORPORATED AND SHOULD NOT BE USED WITHOUT WRITTEN PERMISSION

EC DESCRIPTION EC NO: 100800 DRWN: AAHLERS CHK'D: RSILLER APP: RSILLER	2015/07/20	2015/07/23	2015/07/23	QUALITY SYMBOLS ▽ = 0 ▽ = 0 ▽ = 0 ▽ = 0 ▽ = 0 ▽ = 0 ▽ = 0 ▽ = 0 ▽ = 0 ▽ = 0 ▽ = 0	GENERAL TOLERANCES (UNLESS SPECIFIED) ANGULAR TOL ± ° 4 PLACES ± 3 PLACES ± 2 PLACES ± 0.2 1 PLACE ± 0.3 0 PLACES ± 0.5 DRAFT WHERE APPLICABLE MUST REMAIN WITHIN DIMENSIONS	DIMENSION UNITS mm	SCALE 1:1	<p>MPIS M8 PNP NOS 3P 4PT 8P M16 BK SINGLE</p>					
	DRWN BY AAHLERS	DATE 2015/07/20	CHK'D BY RSILLER			DATE 2015/07/23	APPR BY RSILLER					DATE 2015/07/23	DRAWING SIZE A3
	PRODUCT CUSTOMER DRAWING							SERIES 120247	MATERIAL NUMBER SEE TABLE 1	CUSTOMER GENERAL MARKET			
	DOCUMENT NUMBER 1202470059							DOC TYPE PSD	DOC PART 000	SHEET NUMBER 1 OF 2			

# Wiring Diagram Single PNP



THIS DRAWING CONTAINS INFORMATION THAT IS PROPRIETARY TO MOLEX INCORPORATED AND SHOULD NOT BE USED WITHOUT WRITTEN PERMISSION

EC DESCRIPTION EC NO: 100800 DRWN: AAHLERS CHK'D: RSILLER APPR: RSILLER	2015/07/20 2015/07/23 2015/07/23	<b>QUALITY SYMBOLS</b> □ = 0 ▽ = 0 ▽ = 0 ▽ = 0 ▽ = 0 ▽ = 0 ▽ = 0 ▽ = 0 ▽ = 0	<b>GENERAL TOLERANCES (UNLESS SPECIFIED)</b> ANGULAR TOL ± ° 4 PLACES ± 3 PLACES ± 2 PLACES ± 0.2 1 PLACE ± 0.3 0 PLACES ± 0.5 DRAFT WHERE APPLICABLE MUST REMAIN WITHIN DIMENSIONS	DIMENSION UNITS mm	SCALE 1:1			
	DRWN BY AAHLERS			DATE 2015/07/20	MPIS M8 PNP NOS 3P 4PT 8P M16 BK SINGLE			
	CHK'D BY RSILLER			DATE 2015/07/23				PRODUCT CUSTOMER DRAWING
	APPR BY RSILLER			DATE 2015/07/23	DRAWING SIZE A3	THIRD ANGLE PROJECTION	SERIES 120247	
REV A	DOCUMENT NUMBER 1202470059	DOC TYPE PSD	DOC PART 000	SHEET NUMBER 2 OF 2				