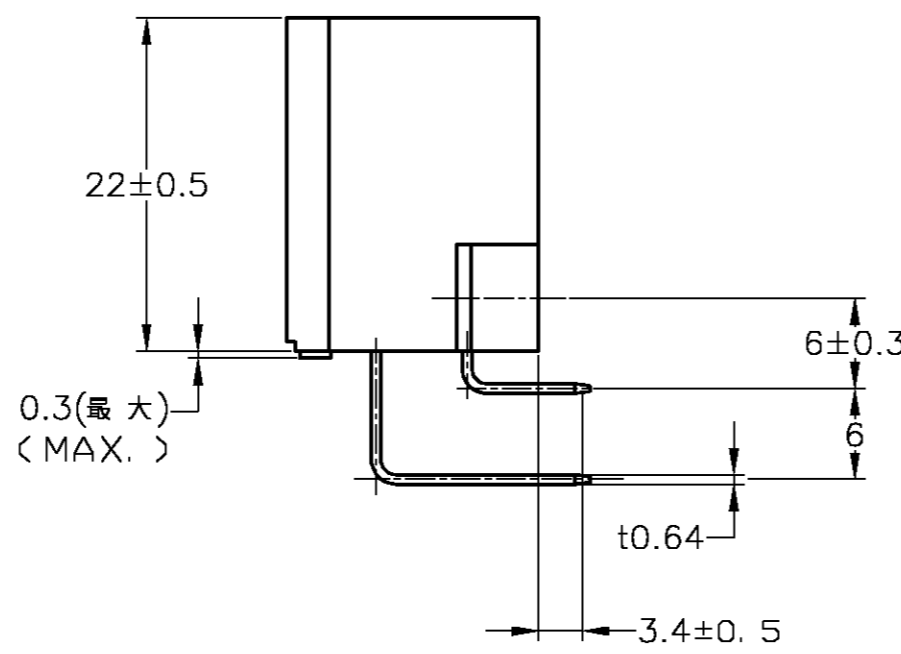
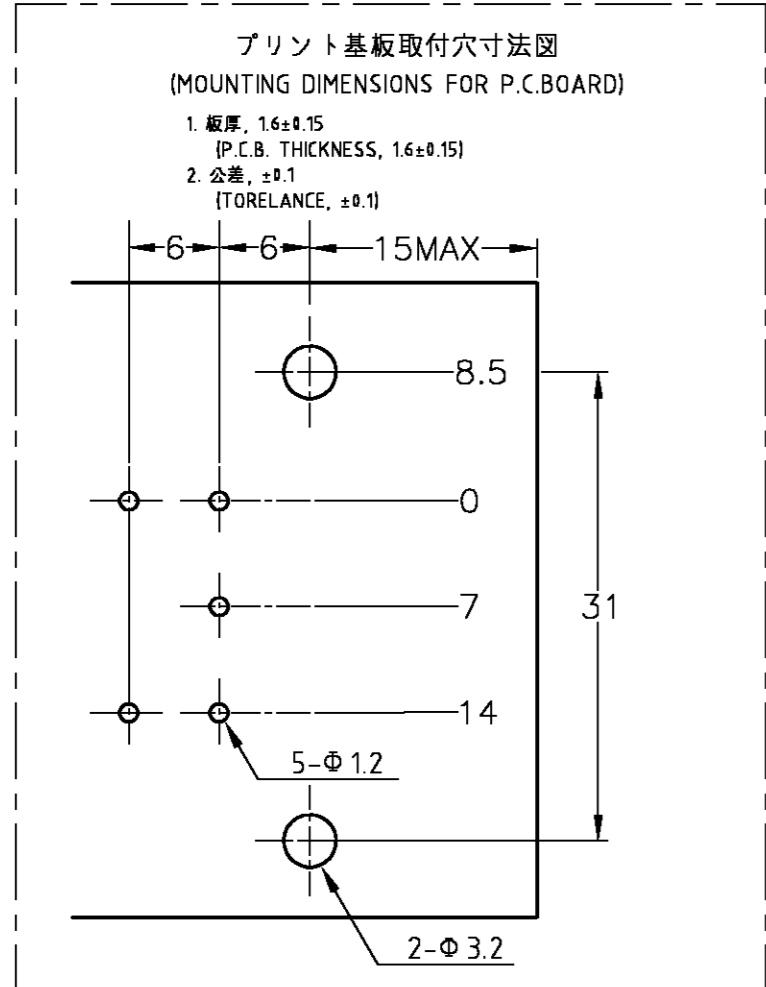
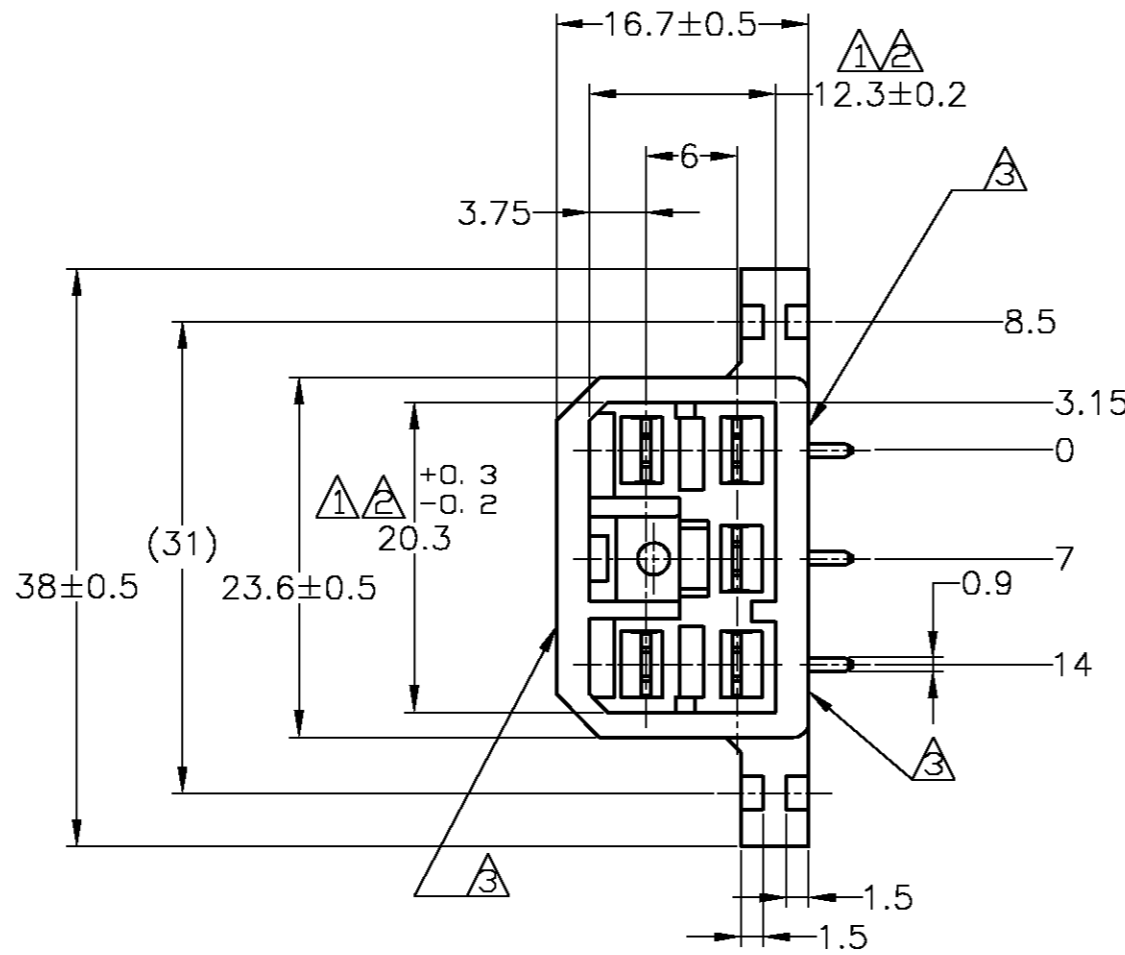
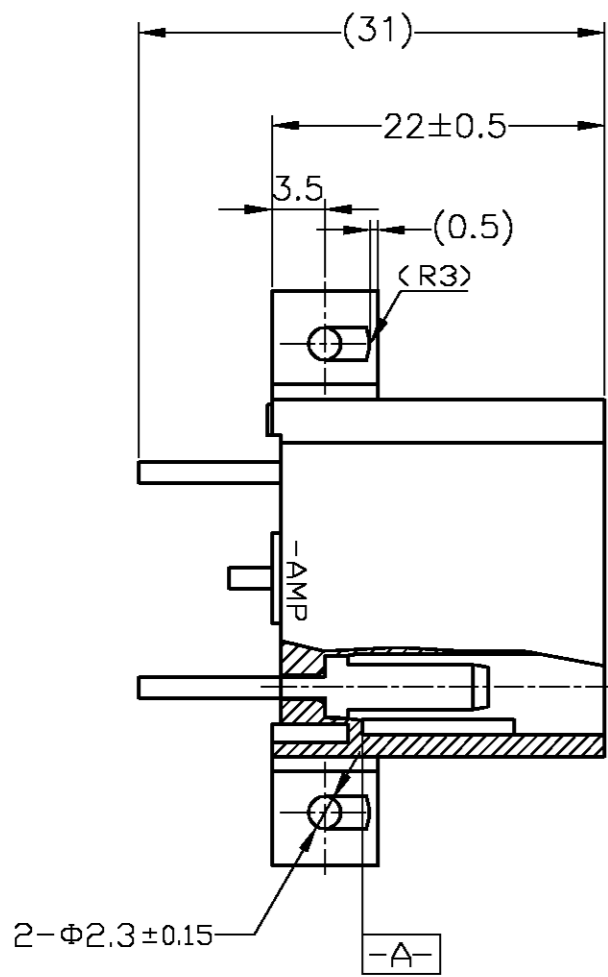
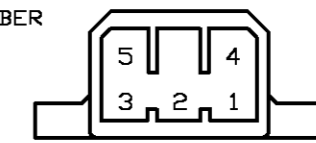


THIS DRAWING IS UNPUBLISHED. RELEASED FOR PUBLICATION  
 © COPYRIGHT BY TYCO ELECTRONICS CORPORATION. ALL RIGHTS RESERVED.

LOC	DIST	REVISIONS						
		P	LTR	DESCRIPTION	DATE	DWN	APVD	
J	-	G4		OBSOLETE -5	ECR-08-000600	09JAN08	TS	KB

- 注記:
- △ **-A-** 面より2mmの範囲で測定のこと。
  - △ 相手ハウジングと所定の機能を満たしてかん合できること。
  - △ フードの反りは0.2以内。
  - 4 推奨取付けねじ: JIS B 1115 又は、1122 タッピンねじ  
なべ1種又は2種、呼び径3長さ6mm以下  
(締め付けトルク: 39.2N 以下)
  - 5 適用製品規格 No.108-5093
  - 6 相手ハウジングとのかん合力は、29.4N以下  
但し、リセプタクルコンタクトは含まない。
  - △ タブなしタイプ(表参照)回路番号下図参照のこと。

- NOTES:
- △ TO BE MEASURED WITHIN 2mm FROM **-A-**
  - △ IN COUPLING WITH THE PLUG HOUSING MATING SATISFIES FUNCTION
  - △ WARPAGE 0.2 MAX.
  - 4 RECOMMENDED MOUNTING SCREW: 3mm DIA, 6mm LENGTH (MAX.)  
PAN HEAD, CLASS 1 AND 2 TAPPING SCREW SPECIFIED IN JIS B1115, B1122 (TIGHTENING TORQUE: 39.2N MAX.)
  - 5 SPEC. No. 108-5093
  - 6 IN COUPLING WITH THE PLUG HOUSING MATING FORCE 29.4N MAX WITHOUT RECEPTACLE CONTACT
  - △ NON TAB CONTACT'S TYPE (SEE TABLE)  
CIRCUIT NUMBER



	--	SELECTIVE-TIN (MATTE)	SELECTIVE GOLD (0.76μm MIN.)	NATURAL	5172040-8
	--	SELECTIVE-TIN (MATTE)	SELECTIVE GOLD (0.38μm MIN.)	NATURAL	1-5172040-5
	2	PRE-TIN		NATURAL	2-172040-1
OBSOLETE	--	TIN-LEAD	SELECTIVE GOLD (0.38μm MIN.)	GREEN	1-172040-8
OBSOLETE	--	TIN-LEAD	SELECTIVE GOLD (0.38μm MIN.)	NATURAL	1-172040-5
OBSOLETE	--	TIN-LEAD	SELECTIVE GOLD (0.76μm MIN.)	YELLOW	1-172040-4
OBSOLETE	--	TIN-LEAD	SELECTIVE GOLD (0.76μm MIN.)	GRAY	1-172040-3
OBSOLETE	--	TIN-LEAD	SELECTIVE GOLD (0.76μm MIN.)	BLUE	1-172040-2
OBSOLETE	--	TIN-LEAD	SELECTIVE GOLD (0.76μm MIN.)	GREEN	1-172040-1
OBSOLETE	--	TIN-LEAD	SELECTIVE GOLD (0.76μm MIN.)	BROWN	1-172040-0
OBSOLETE	--	TIN-LEAD	SELECTIVE GOLD (0.76μm MIN.)	BLACK	172040-9
	--	TIN-LEAD	SELECTIVE GOLD (0.76μm MIN.)	NATURAL	172040-8
OBSOLETE	--	PRE-TIN		YELLOW	172040-7
OBSOLETE	--	PRE-TIN		BLUE	172040-5
	--	PRE-TIN		GREEN	172040-4
OBSOLETE	--	PRE-TIN		BROWN	172040-3
	--	PRE-TIN		BLACK	172040-2
	--	PRE-TIN		NATURAL	172040-1
△ NON TAB PLACES タブなし箇所		SOLDERING SIDE 半田付け部	CONTACT SIDE 接触部側	COLOR 色	PART NUMBER 製品型番
		CONTACT FINISH コンタクト仕上			

TOLERANCE UNLESS OTHERWISE SPECIFIED:  
 一般公差  
 0 <= x <= 10 : ±0.2  
 10 <= x <= 30 : ±0.25  
 30 <= x <= 100 : ±0.3  
 ANGLE : ±3°

THIS DRAWING IS A CONTROLLED DOCUMENT.

DWN: T.SHINOHARA 31AUG07  
 CHK: K.BETSUI 31AUG07  
 APVD: K.BETSUI 31AUG07

Tyco Electronics Corporation  
 Kawasaki, Japan

NAME: 5P HORIZONTAL TYPE CAP HOUSING ASS'Y  
 製品仕様  
 108-5093

PRODUCT SPEC  
 APPLICATION SPEC  
 取付適用規格

SIZE: A2 CAGE CODE: 00779 DRAWING NO: 172040 RESTRICTED TO: -  
 WEIGHT: - SCALE: 2:1 SHEET: 1 of 1 REV: G4

MATERIAL: HSG: 66 NYLON CONTACT: BRASS FINISH: 仕上

CUSTOMER DRAWING