

REV. B		SHEET 1 OF 3		DOCUMENT NO. RVPX-P16SXX	
REVISIONS M					
LTR	DESCRIPTION			DATE	
A	INITIAL RELEASE			11-FEB-16	
B	CORRECTED DRILL DIAMETER NOTE 2			31-MAY-17	

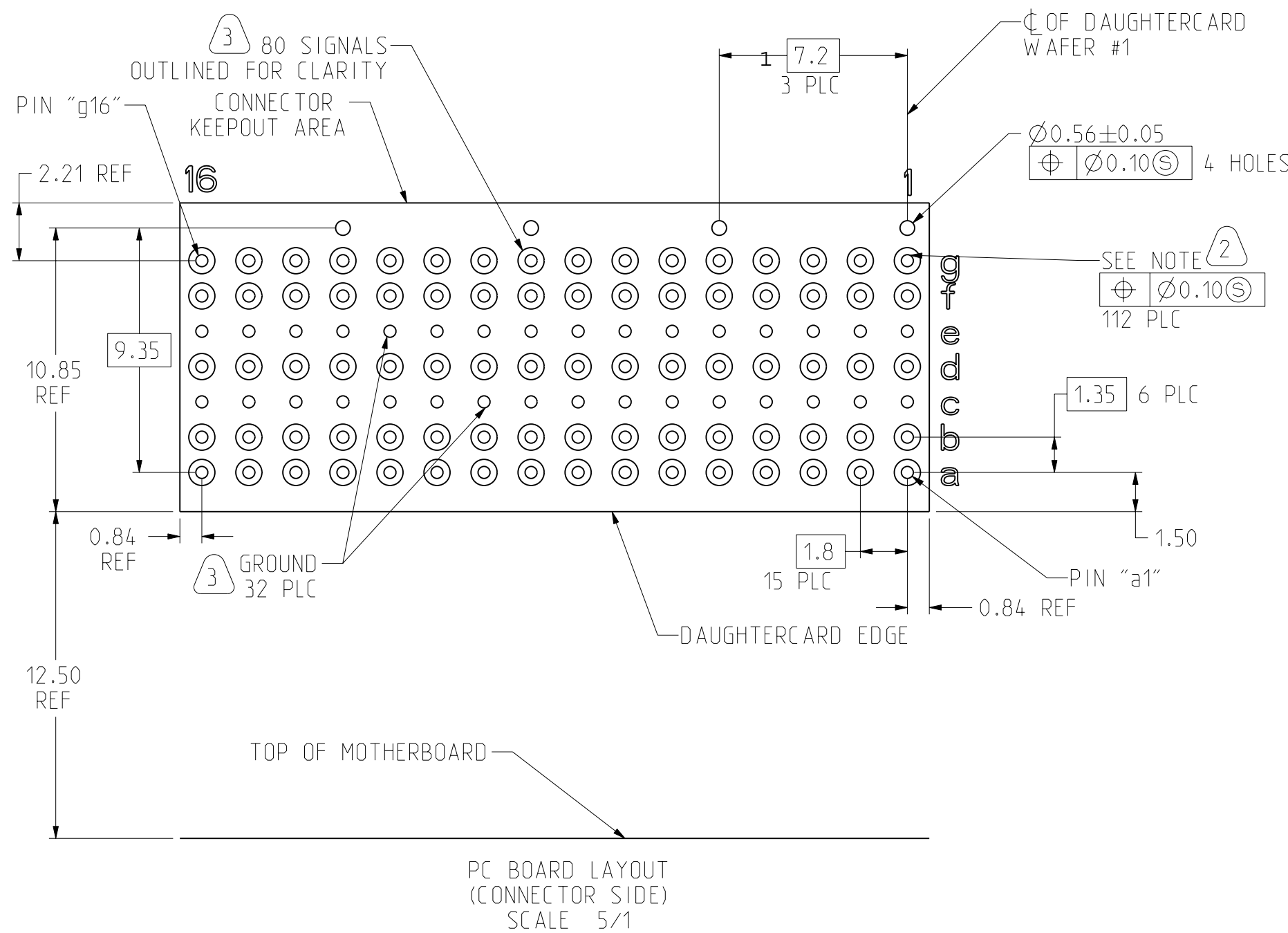


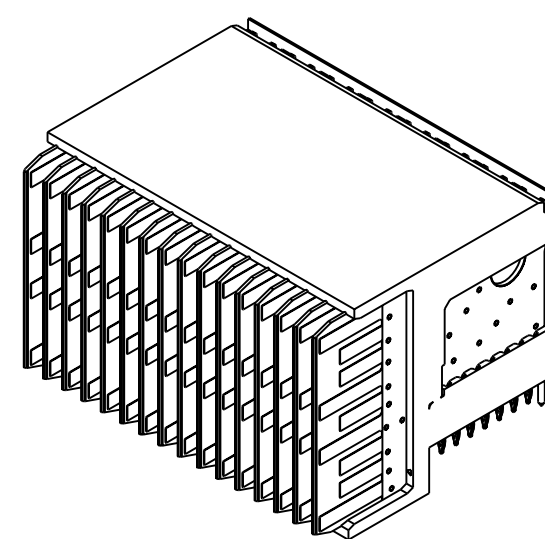
TABLE 1
INTERCONNECTIONS WITH BACKPLANE
CONNECTOR RVPX-J16MXX

TYPICAL INTERCONNECTIONS FOR COLUMN (WAFER): 1-16		
CONTACT USAGE	DAUGHTERCARD CONNECTOR PIN	BACKPLANE CONNECTOR PIN
SIGNAL	ax	bx
SIGNAL	bx	cx
SIGNAL	dx	ex
SIGNAL	fx	gx
SIGNAL	gx	hx
GROUND	cx, ex, (ALL COMMONED)	ax, dx, fx, ix

NOTE: "x" DESIGNATES THE COLUMN NUMBER

TABLE 2

PLATING THICKNESS AND MATERIAL BY PART NUMBER			
PART NUMBER	GOLD IN CONTACT AREA	COMPLIANT	NICKEL OVERALL
RVPX-P16SM1	50 μ-INCH MIN	50 μ-INCH MIN TIN	50 μ-INCH MIN
RVPX-P16SM2	50 μ-INCH MIN	50 μ-INCH MIN TIN-LEAD	50 μ-INCH MIN
RVPX-P16SC1	30 μ-INCH MIN	50 μ-INCH MIN TIN	50 μ-INCH MIN
RVPX-P16SC2	30 μ-INCH MIN	50 μ-INCH MIN TIN-LEAD	50 μ-INCH MIN



4 SEE TABLE 2 FOR PART NUMBER AND FINISHES

3 SEE TABLE 1 FOR INTERCONNECTIONS TO BACKPLANE CONNECTOR

2 PTH CALLOUT
TYPICAL HOLE
Ø0.53-.57 DRILL
Ø0.46 ±.05 FINISH HOLE
Ø0.92 PAD

1 HOUSING: GLASS FILLED LCP, UL94 - V0
CONTACT: CU ALLOY
POST: STAINLESS STEEL, PASSIVATED

NOTES:

THE USE OF THIS DOCUMENT IS UNLIMITED. HOWEVER, DOCUMENTS REFERENCED HEREON MAY CONTAIN LIMITED RIGHTS DATA.

N/A
NEXT ASSEMBLY

PRO/ENGINEER INFORMATION
Pro/e Model Used:
P1233-426-0008-001.ATCS.PART
Drawing Name:
RVPX-P16SXX

UNLESS OTHERWISE SPECIFIED		SPECIFICATIONS		POS	QTY	PART NUMBER	DESCRIPTION	NOTE	
LINEAR DIMENSIONS ARE IN MILLIMETERS TOLERANCES: .XXXX = ±. - ANGLES= ±1° .XXX = ±. - .XX = ±.13 .X = ±.5		MATERIAL SPEC. N/A		APPROVALS		DATE	PARTS LIST		
DIM. & TOL. PER ASME Y14.5M; DRM PER MIL-DTL-31000; OTHER Amphenol Stds. PER 9-3800		PROCESS SPEC. 9-3856-5 9-3895		PREPARED BY S. LANGELIER		22-SEP-15	AMPHENOL CORPORATION 40-60 DELAWARE AVENUE SIDNEY, N.Y. 13858		
LEGENDS: =FLAG NOTE CALL OUT REFERENCE ONLY		THIRD ANGLE PROJECTION		ENGINEER IN CHARGE S. LANGELIER			RIGHT-ANGLE PLUG ASSEMBLY CENTER, RVPX		
		DESIGN MANAGER J. PAUL		DESIGN ACTIVITY GROUP BOARD LEVEL			DAUGHTERCARD CONNECTOR, SINGLE ENDED		
				DESIGN ACTIVITY GROUP BOARD LEVEL				DOCUMENT NO. RVPX-P16SXX	
								REV. B	
						SCALE: 5.0		REF. NONE	
								SHEET 1 OF 3	

DOCUMENT NO. RVPX-P16SXX

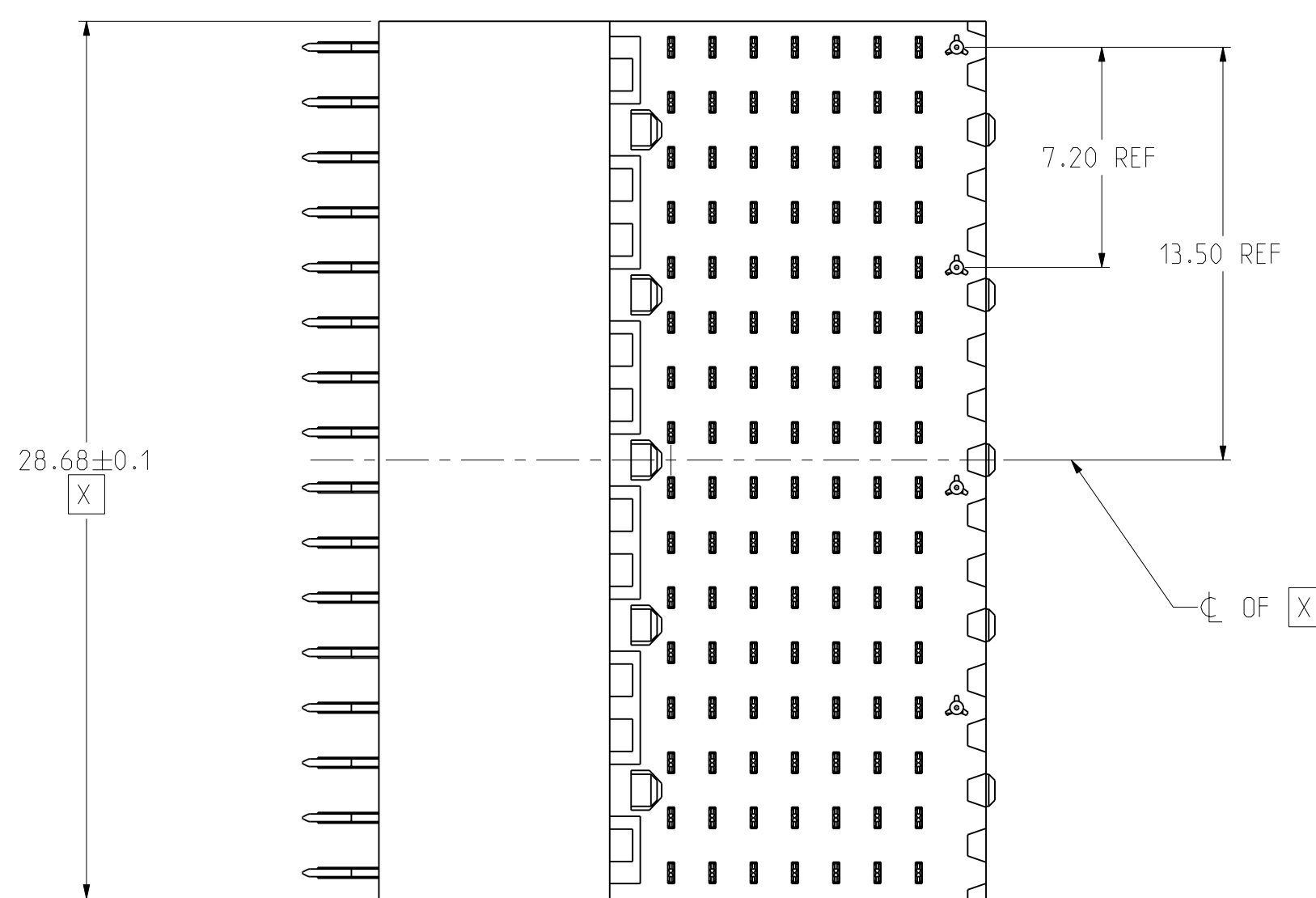
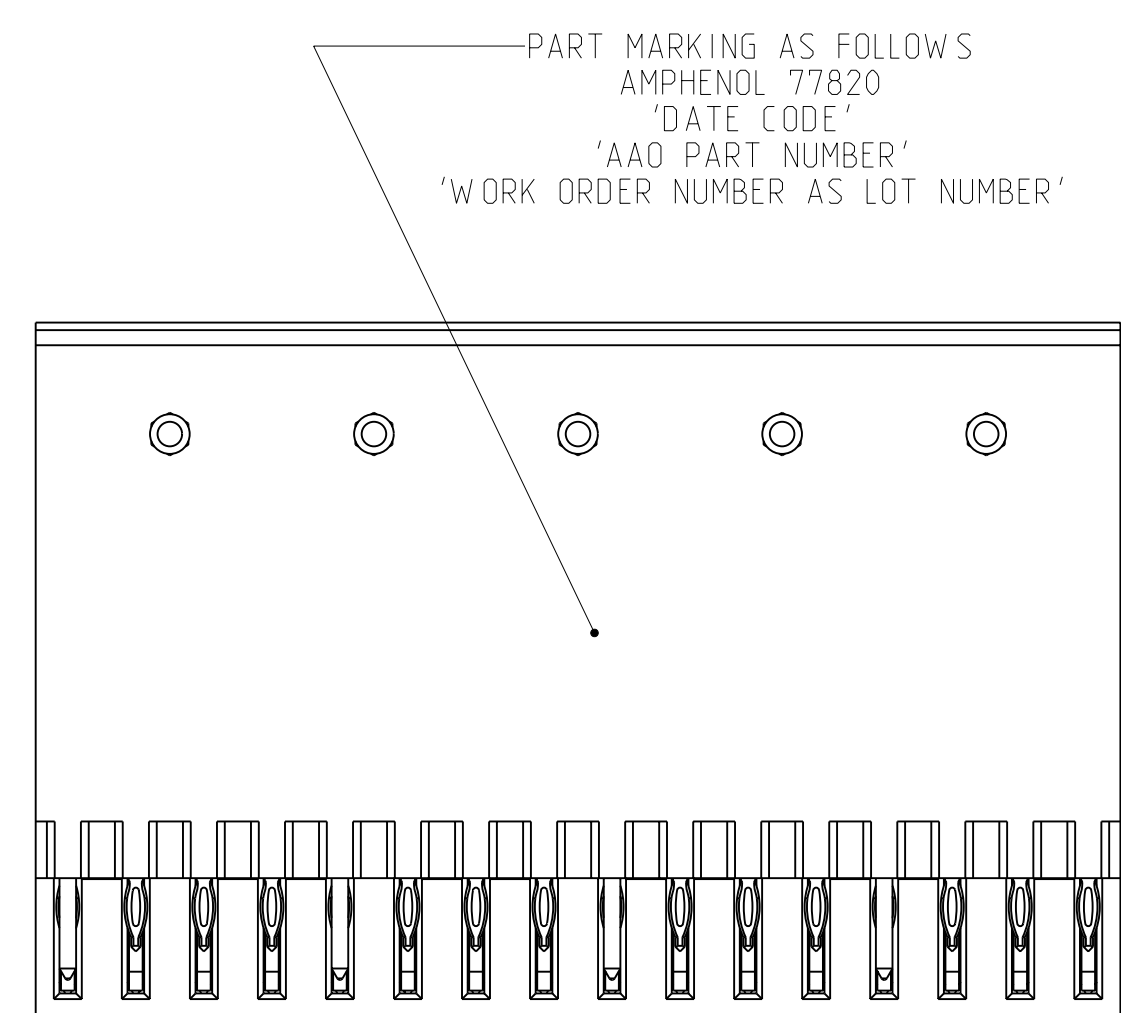
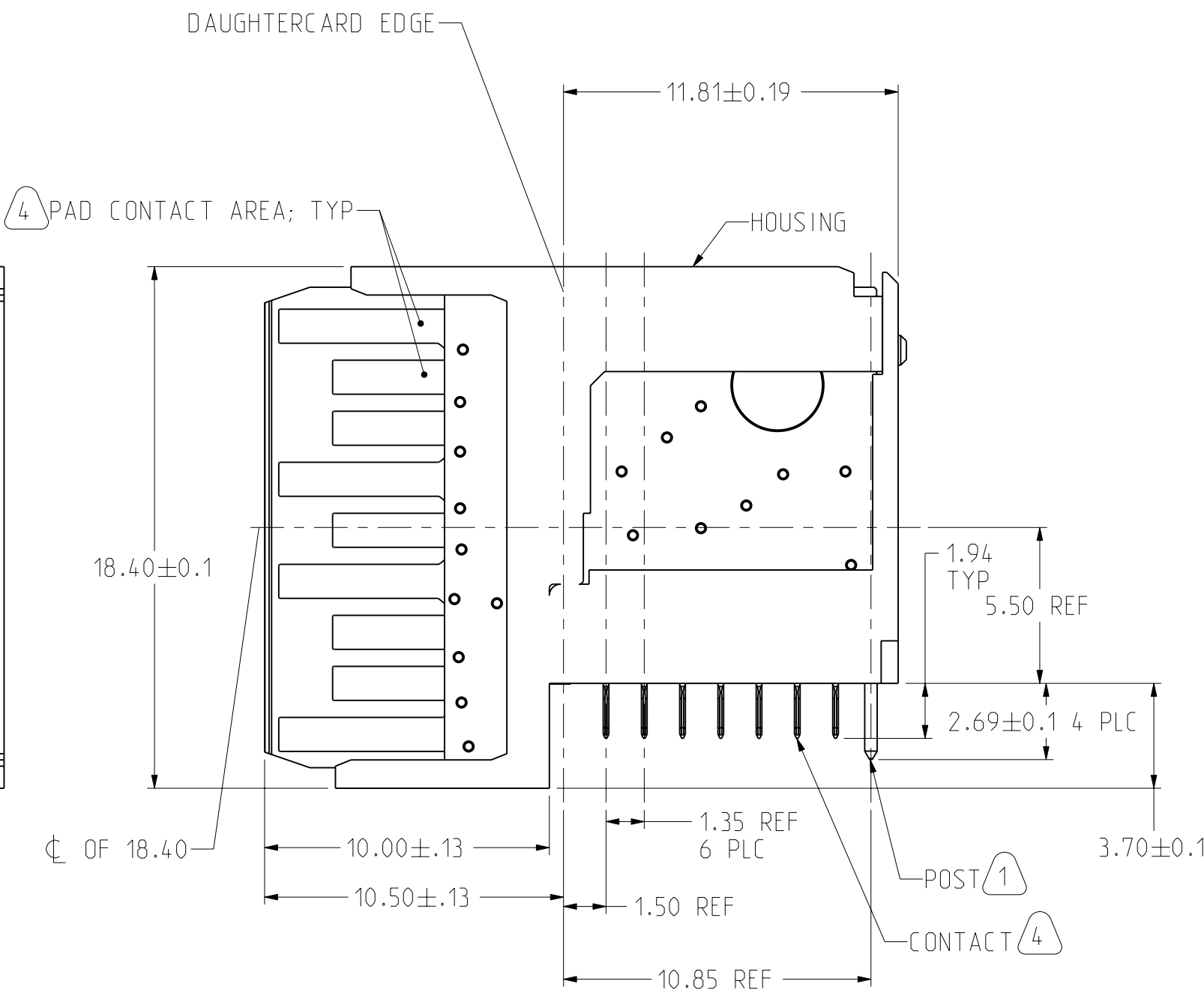
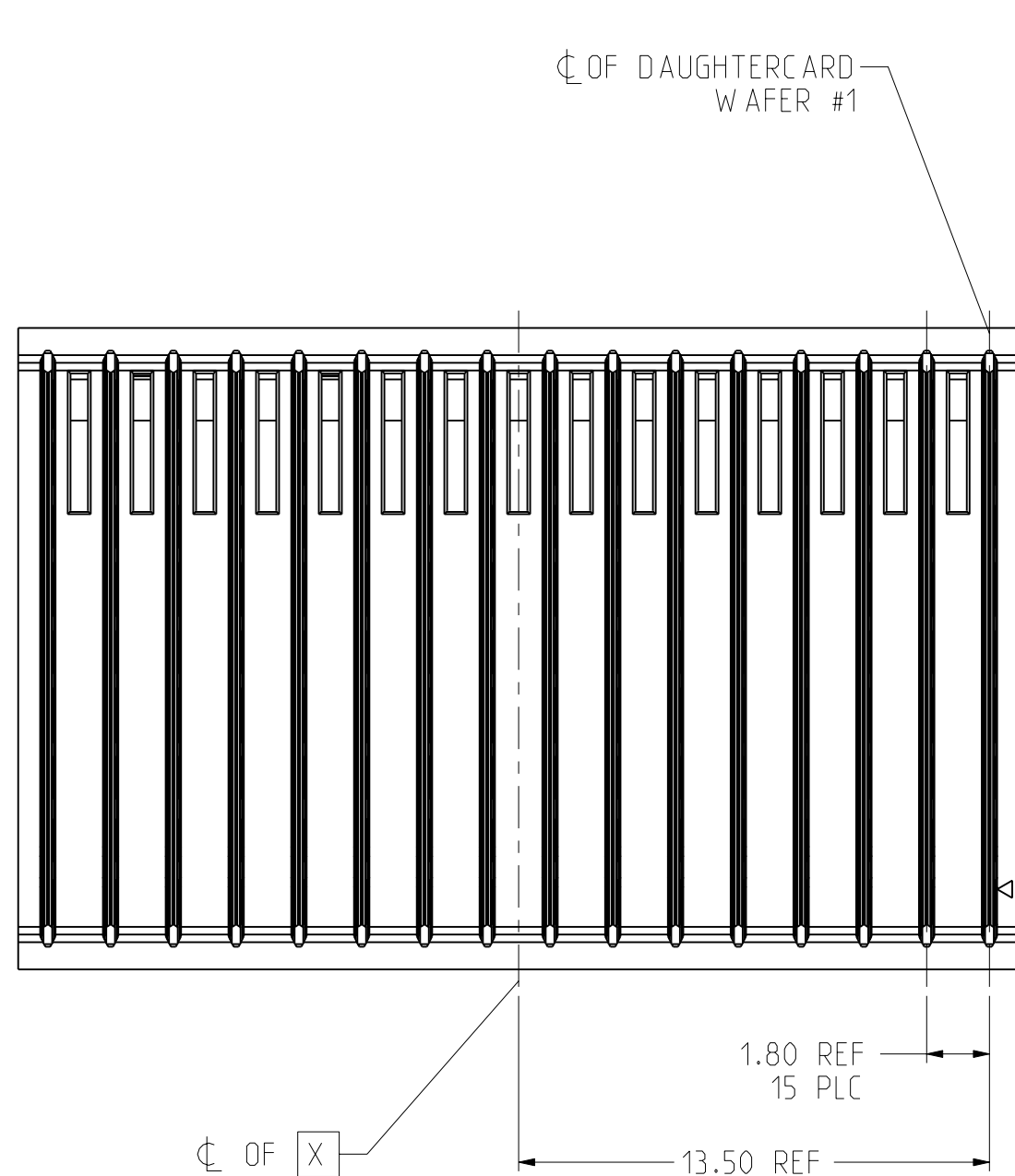
SHEET 2 OF 3

REV. B

C

B

A



NOTES: SEE SHEET 1

THE USE OF THIS DOCUMENT IS UNLIMITED. HOWEVER, DOCUMENTS REFERENCED HEREON MAY CONTAIN LIMITED RIGHTS DATA.

FORMAT: C-0-U-E-1

DOCUMENT NO. RVPX-P16SXX

SHEET 2 OF 3

REV. B

SIZE C	CAGE CODE 77820	DOCUMENT NO. RVPX-P16SXX	REV. B
SCALE: 5.0		REF: NONE	SHEET 2 OF 3

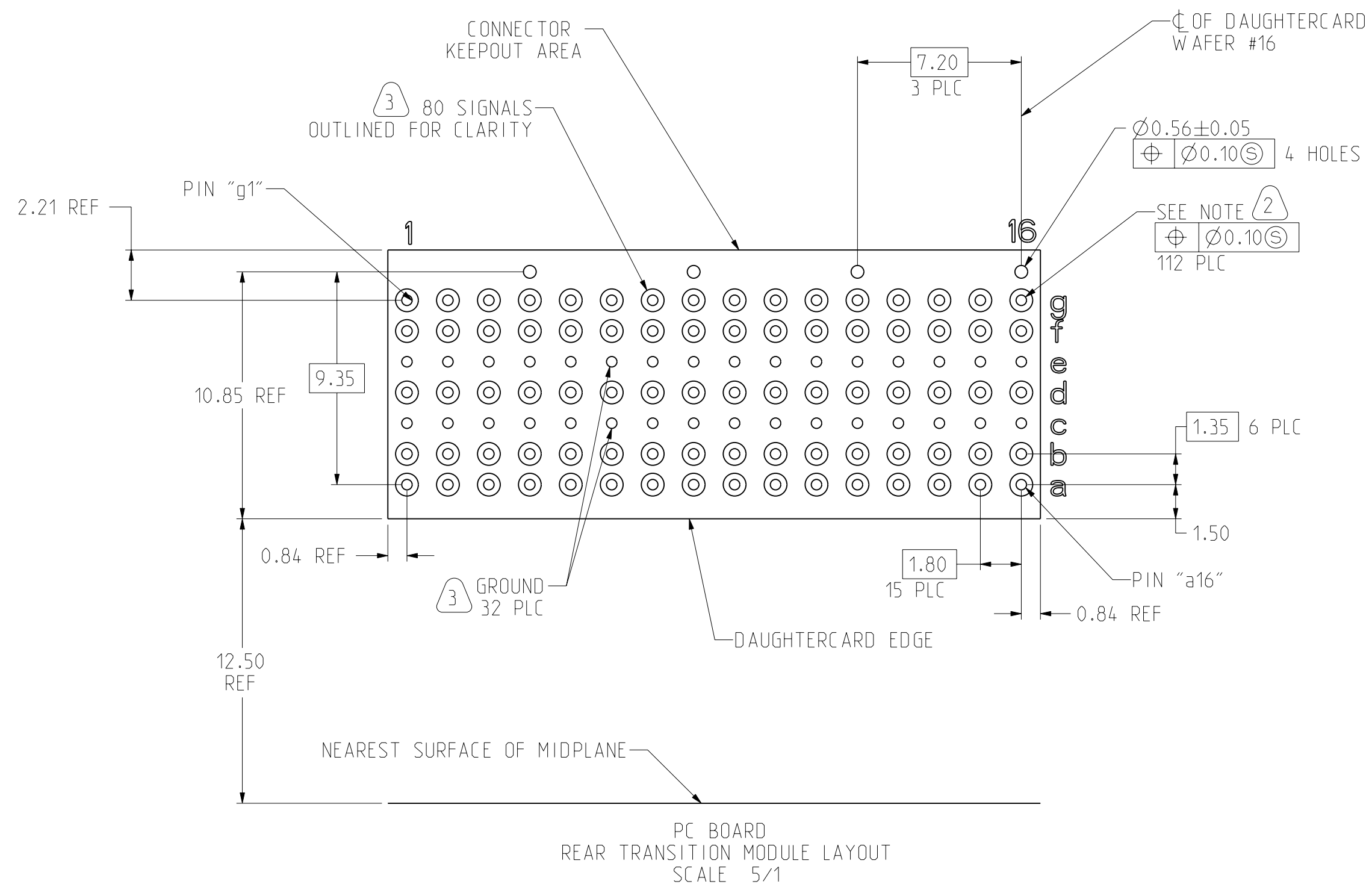
Eng. PDM Information For Reference Only

REVISION B SHEET 2 OF 3

DOCUMENT NO. RVPX-P16SXX

REV. B

REAR TRANSITION MODULE APPLICATION



NOTES:

THE USE OF THIS DOCUMENT IS UNLIMITED.
HOWEVER, DOCUMENTS REFERENCED HEREON
MAY CONTAIN LIMITED RIGHTS DATA.

FORMAT: C-0-U-E-1

DOCUMENT NO.
RVPX-P16SXX

SHEET 3 OF 3

REV. **B**

SIZE C	CAGE CODE 77820	DOCUMENT NO. RVPX-P16SXX	REV. B
SCALE: 5.0		REF: NONE	SHEET 3 OF 3

DOCUMENT NO. RVPX-P16SXX SHEET 3 OF 3 REV. B

Eng. PDM Information For Reference Only REV. B

C

B

SHEET 3 OF 3

DOCUMENT NO. RVPX-P16SXX

REV. B

4